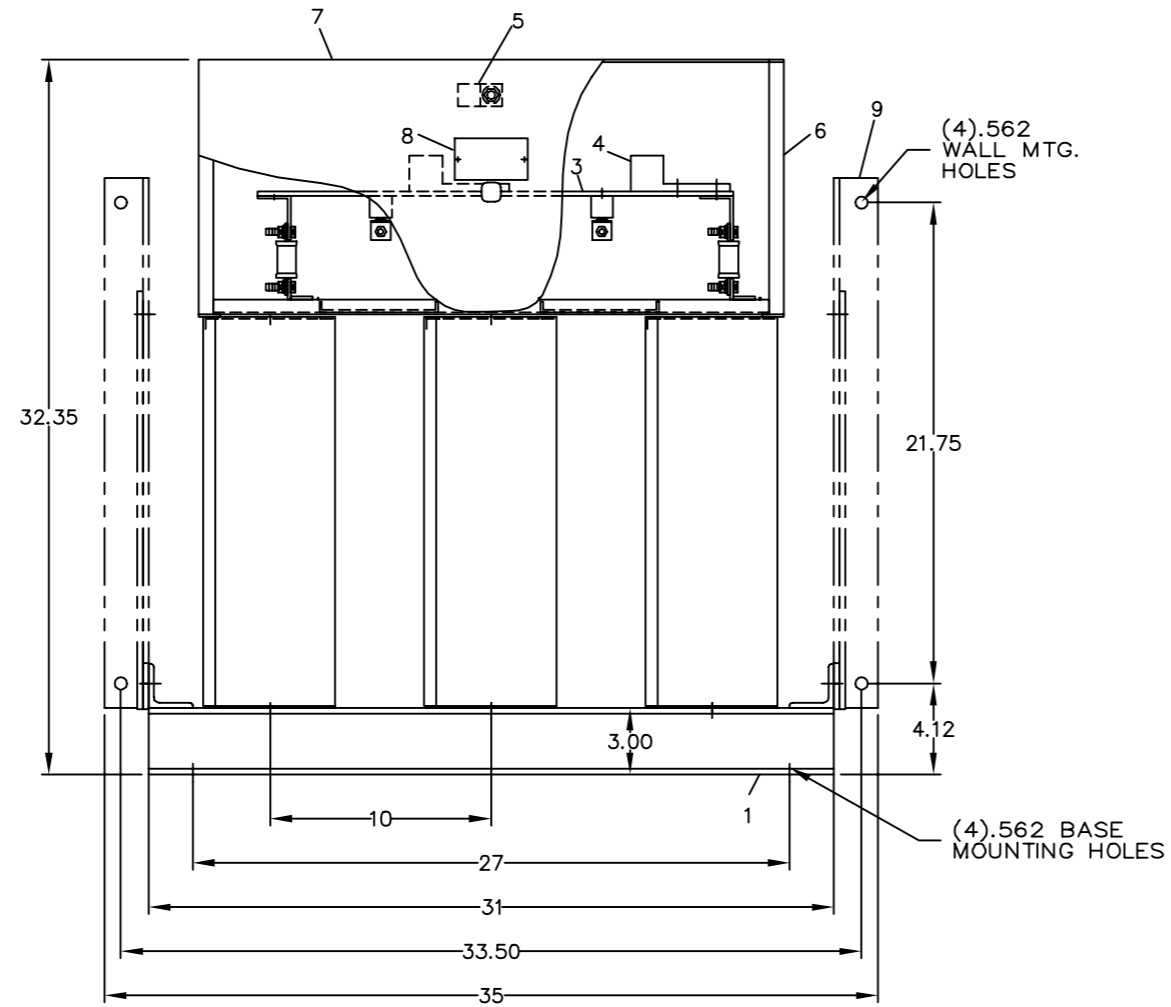
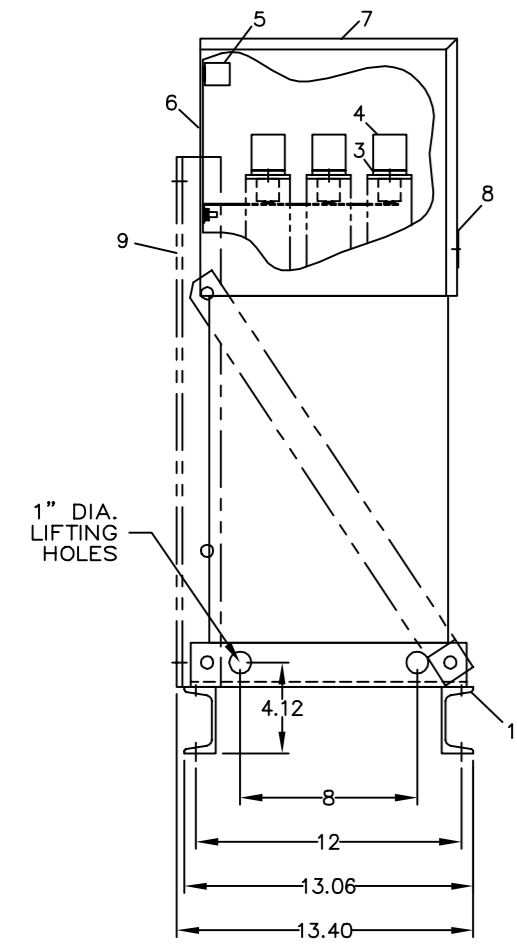
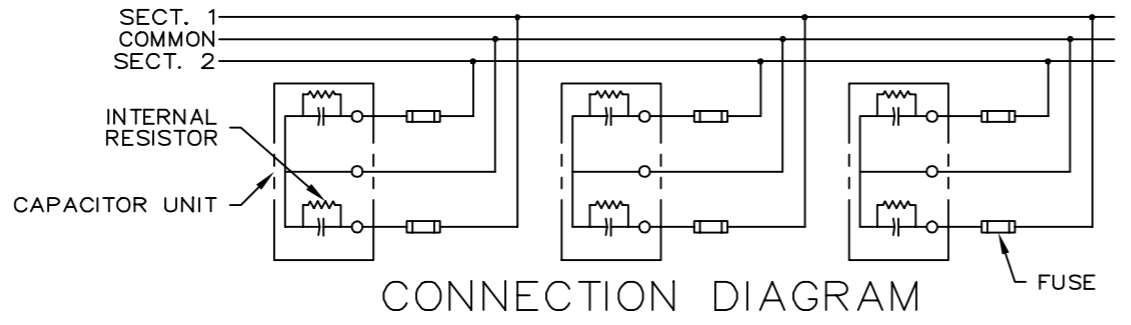


REVISIONS			
REV	DESCRIPTION	DATE	APPROVED
1	UPDATE TO AUTOCAD		EJM



- NOMENCLATURE**
1. ALUMINUM BASE FRAME
  2. CAPACITOR UNIT
  3. COPPER BUS BARS
  4. LINE TERMINAL - #4/0 TO 600 MCM
  5. GROUND TERMINAL - #6AWG TO 250 MCM
  6. BUS ENCLOSURE
  7. ACCESS COVER
  8. RATING NAMEPLATE
  9. OPTIONAL FIELD ASSEMBLED WALL MTG. FRAME



CONNECTION DIAGRAM

SIGNATURES		DATE		<b>INDUSTRIAL SYSTEMS</b> FORT EDWARD, N.Y., U.S.A.  OUTLINE 65L914TY2  FIRST MADE FOR:	413
DRAWN E.MCGINN		9/28/93			
CHECKED					
ENGR					
ISSUED		9/30/95			
CAD SYS. NO.		SIZE C	FSCM NO.	DWG NO. 65L914TY2	REV 1
AUTOCAD		SCALE		SHEET 1	CONT ON SHT -

CAT 65L914TY2 SERNO  
 KVAR 110 60Hz 1ph  
 VOLT 240 DIAG 186C3233FK  
 CONN CDM CTR  
 Read instructions: GEH-2728