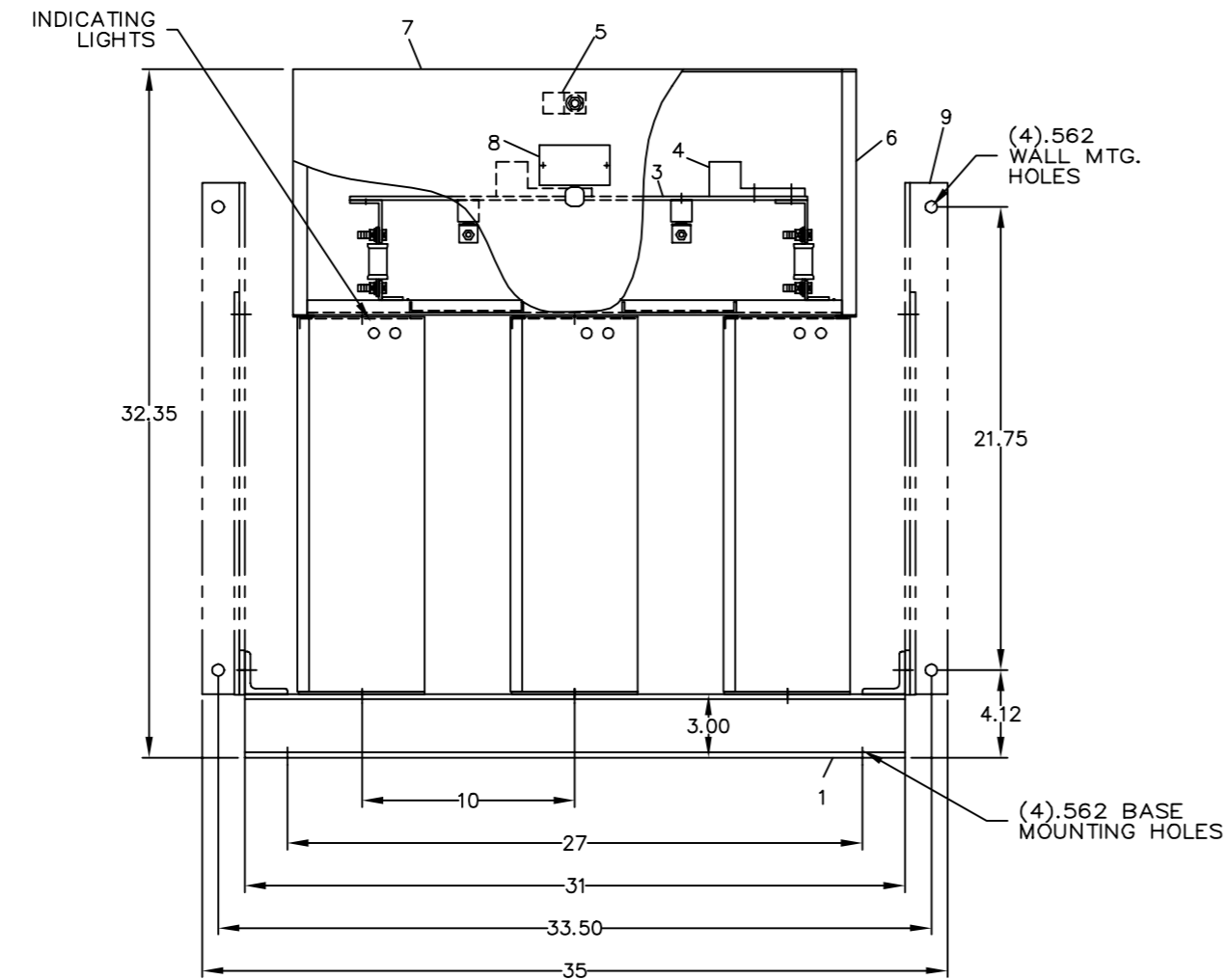
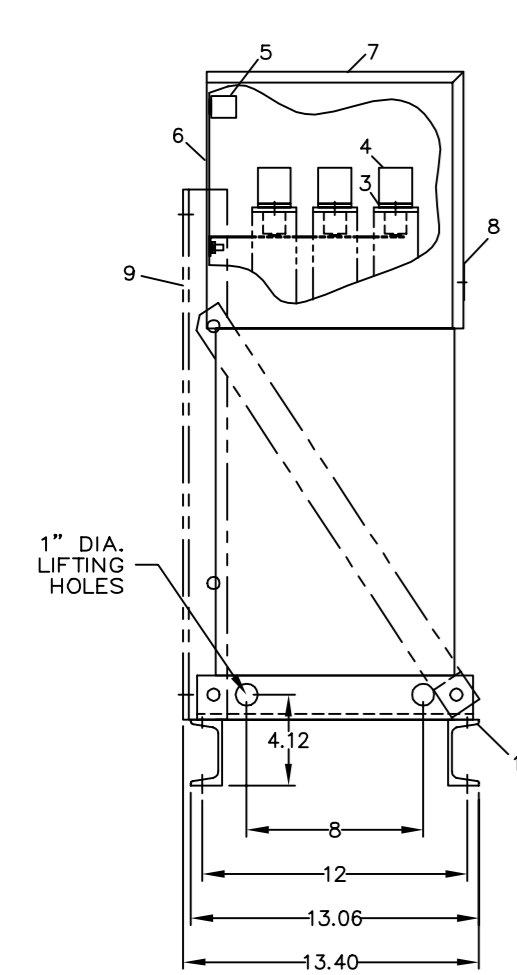
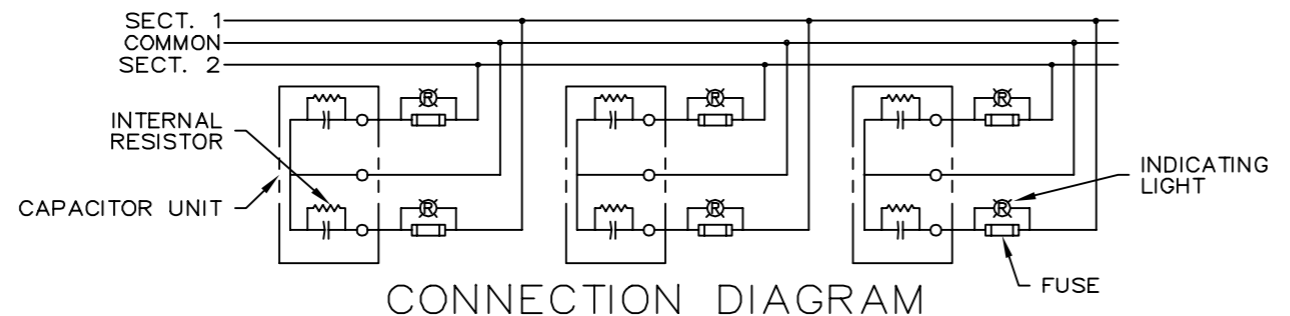


REVISIONS			
REV	DESCRIPTION	DATE	APPROVED
1	UPDATE TO AUTOCAD		EJM



- NOMENCLATURE**
1. ALUMINUM BASE FRAME
 2. CAPACITOR UNIT
 3. COPPER BUS BARS
 4. LINE TERMINAL - #4/0 TO 600 MCM
 5. GROUND TERMINAL - #6AWG TO 250 MCM
 6. BUS ENCLOSURE
 7. ACCESS COVER
 8. RATING NAMEPLATE
 9. OPTIONAL FIELD ASSEMBLED WALL MTG. FRAME



SIGNATURES		DATE		INDUSTRIAL SYSTEMS FORT EDWARD, N.Y., U.S.A. OUTLINE 65L914TZ2 FIRST MADE FOR:	
DRAWN E.McGINN		9/28/93			
CHECKED					
ENGR					
ISSUED		9/30/93			
CAD SYS. NO.		SIZE C	FSCM NO.	DWG NO. 65L914TZ2	REV 1
AUTOCAD		SCALE		SHEET 1	CONT ON SHT -

CAT 65L914TZ2 SERNO
 KVAR 110 60Hz 1ph
 VOLT 240 DIAG 186C3233FG
 CONN CDM CTR
 Read instructions: GEH-2728

DISTR TO 413