

4

3

2

C

SIZE DWG NO.

SHT

REV

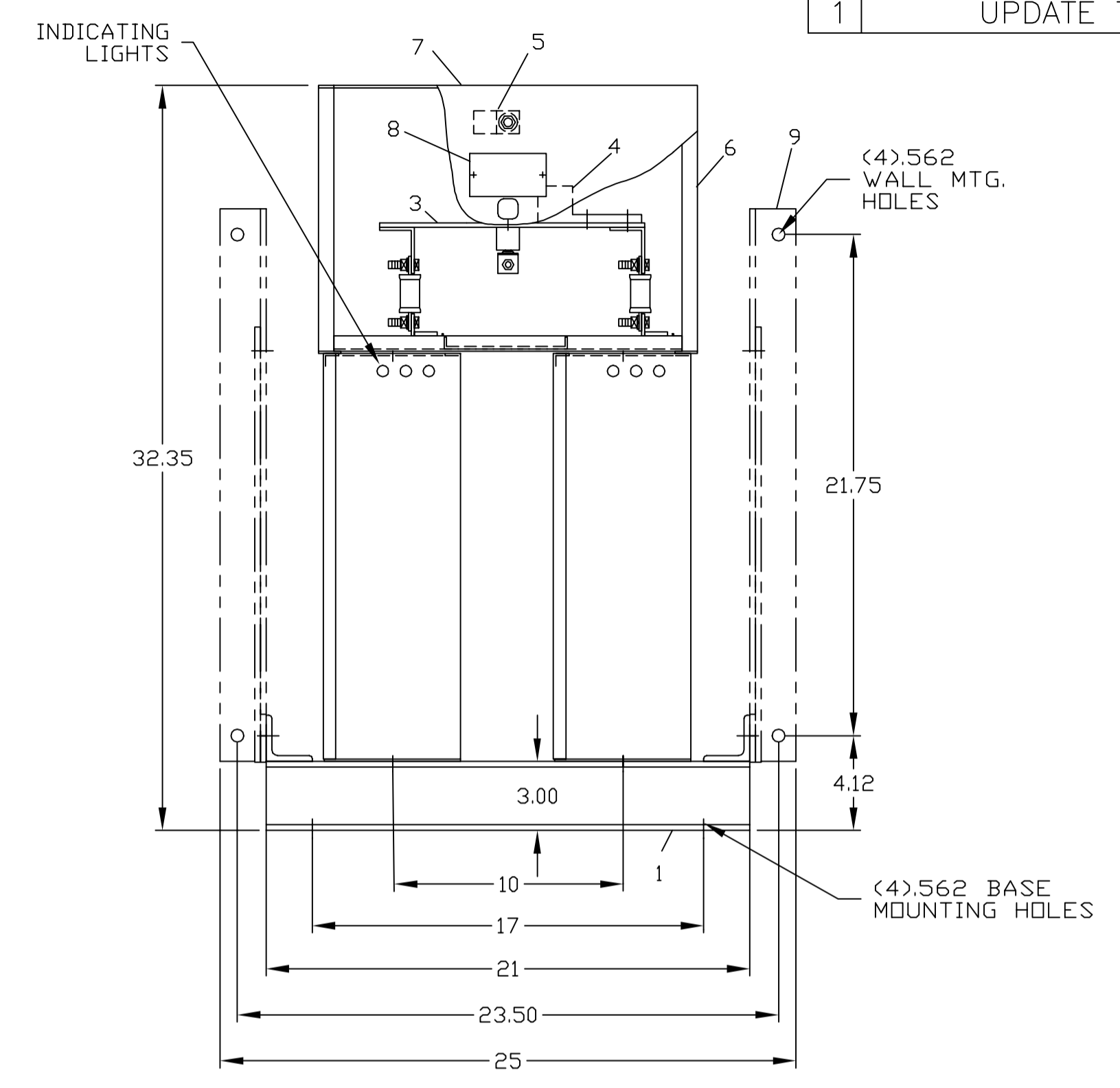
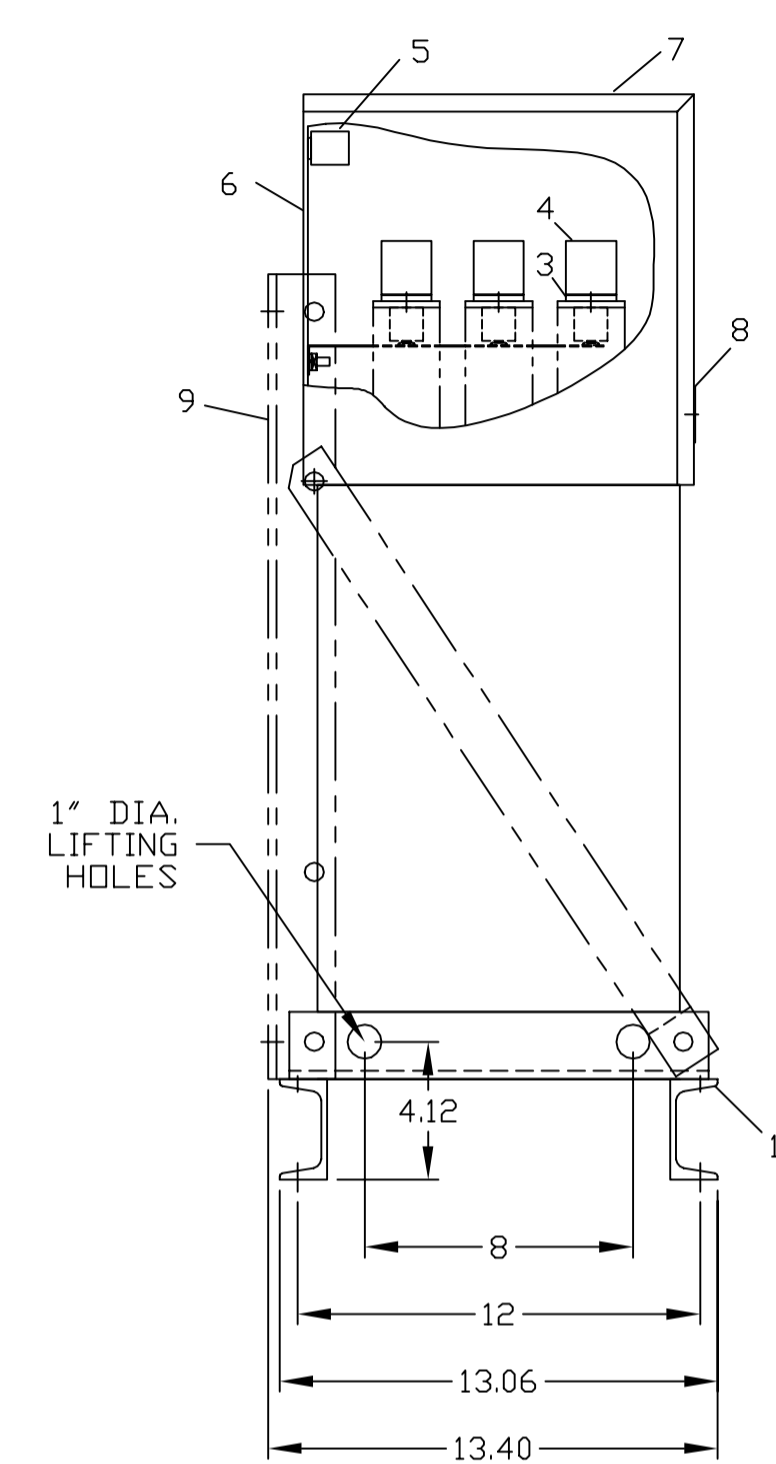
1

1

65L915TE2

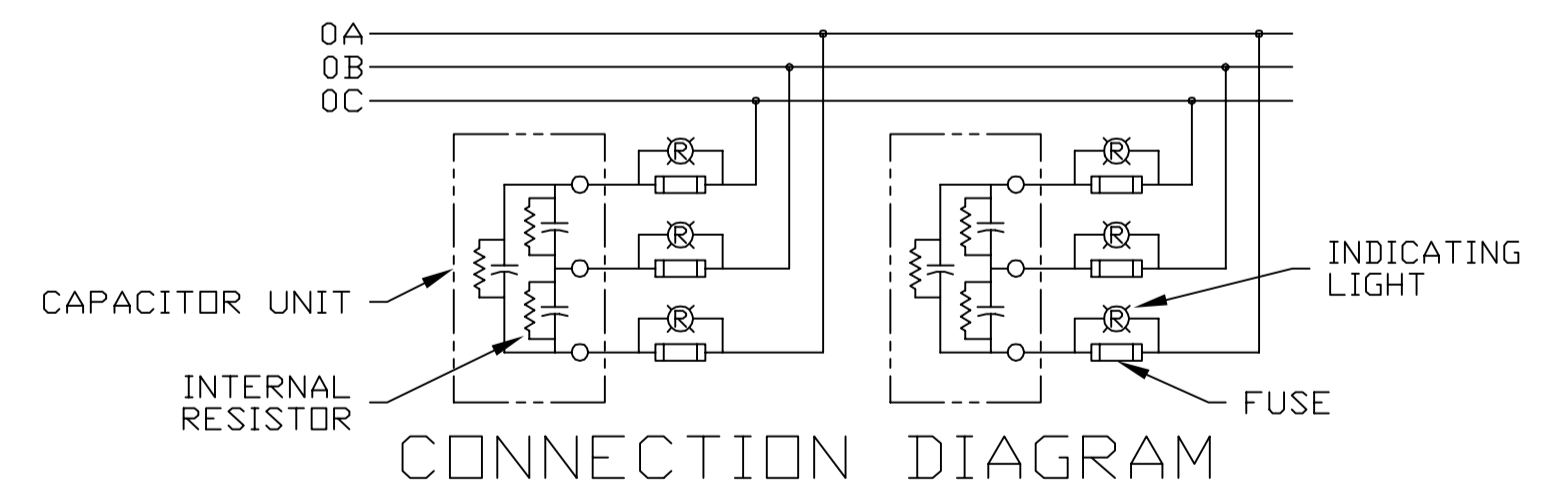
REVISIONS

REV	DESCRIPTION	DATE	APPROVED
1	UPDATE TO AUTOCAD		KS



NOMENCLATURE

- 1. ALUMINUM BASE FRAME
- 2. CAPACITOR UNIT
- 3. COPPER BUS BARS
- 4. LINE TERMINAL - #4/0 TO 600 MCM
- 5. GROUND TERMINAL - #6AWG TO 250 MCM
- 6. BUS ENCLOSURE
- 7. ACCESS COVER
- 8. RATING NAMEPLATE
- 9. OPTIONAL FIELD ASSEMBLED WALL MTG. FRAME



CAT 65L915TE2 SERNO
 KVAR 120 60Hz 3ph
 VOLT 480 DIAG 186C3233EB
 CONN DELTA
 Read instructions: GEH-2728

SIGNATURES		DATE		INDUSTRIAL SYSTEMS FORT EDWARD, N.Y., U.S.A.	
DRAWN E.McGINN		9/24/92			
CHECKED				OUTLINE 65L915TE2	
ENGR					
ISSUED		9/30/93			
CAD SYS. NO.		AUTOCAD		FIRST MADE FOR:	
SIZE C	FSCM NO.	DWG NO. 65L915TE2	REV 1	413	
SCALE	SHEET	CONT ON SHT	DISTR TO		