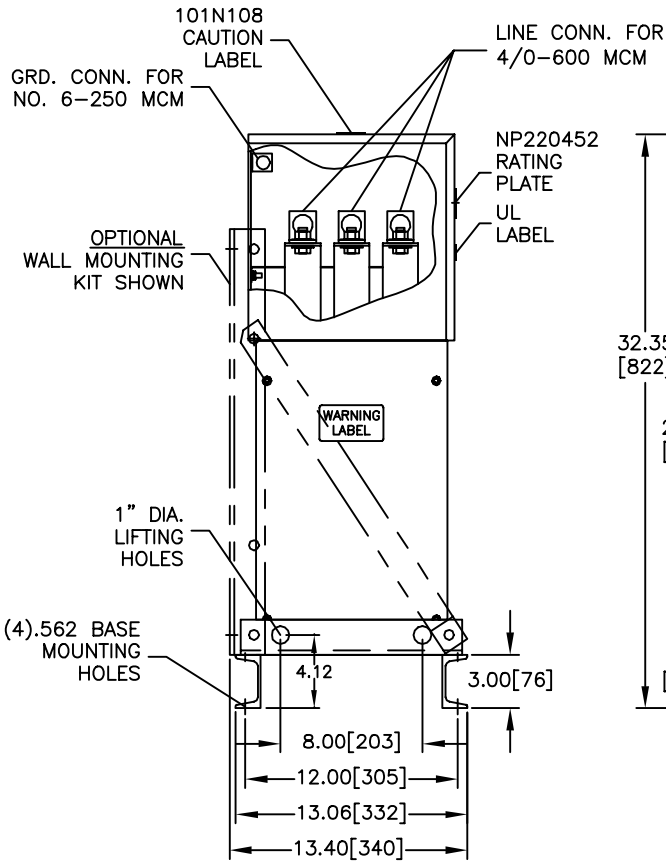
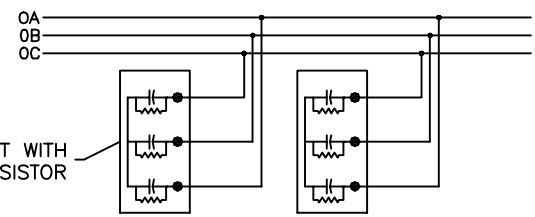
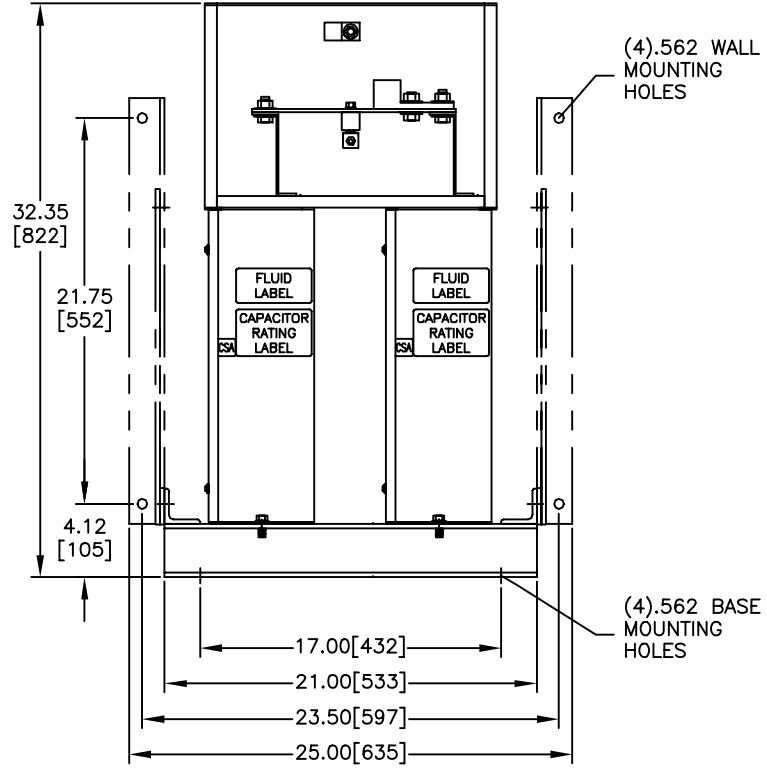


SIZE A	DWG NO 65L915TF3	SHT 2	REV
REV	DESCRIPTION	DATE	APPROVED



FRONT VIEW  
SHOWN WITH TOP/FRONT COVER REMOVED



CONNECTION DIAGRAM

## CAPACITOR

CAT. 65L915TF3      SER.NO.  
kVAR 120      60 Hz      3 Ph  
VOLT. 600      CONN. WYE

DIAG. 186C3233EL

**CAUTION** BEFORE INSTALLING OR OPERATING READ INST. 2738

CAPACITOR UNITS CONTAIN CLASS III B COMBUSTIBLE LIQUID.  
CAPACITOR UNITS INCLUDE INTERNAL DISCHARGE RESISTORS.  
NP220452      FORT EDWARD, N.Y.      MADE IN U.S.A.

<b>INDUSTRIAL SYSTEMS</b> <b>FORT EDWARD, N.Y., U.S.A.</b>	SIZE <b>A</b>	EST. WEIGHT: 87	<h1 style="margin: 0;">OUTLINE</h1> <h1 style="margin: 0;">65L915TF3</h1>
	DRAWN      B.Ross      DATE      6/24/2003	GALLONS LIQUID: 0.98	
ISSUED	DATE      7/9/2003	SHEET      2	CONT ON      -

DISTR. TO