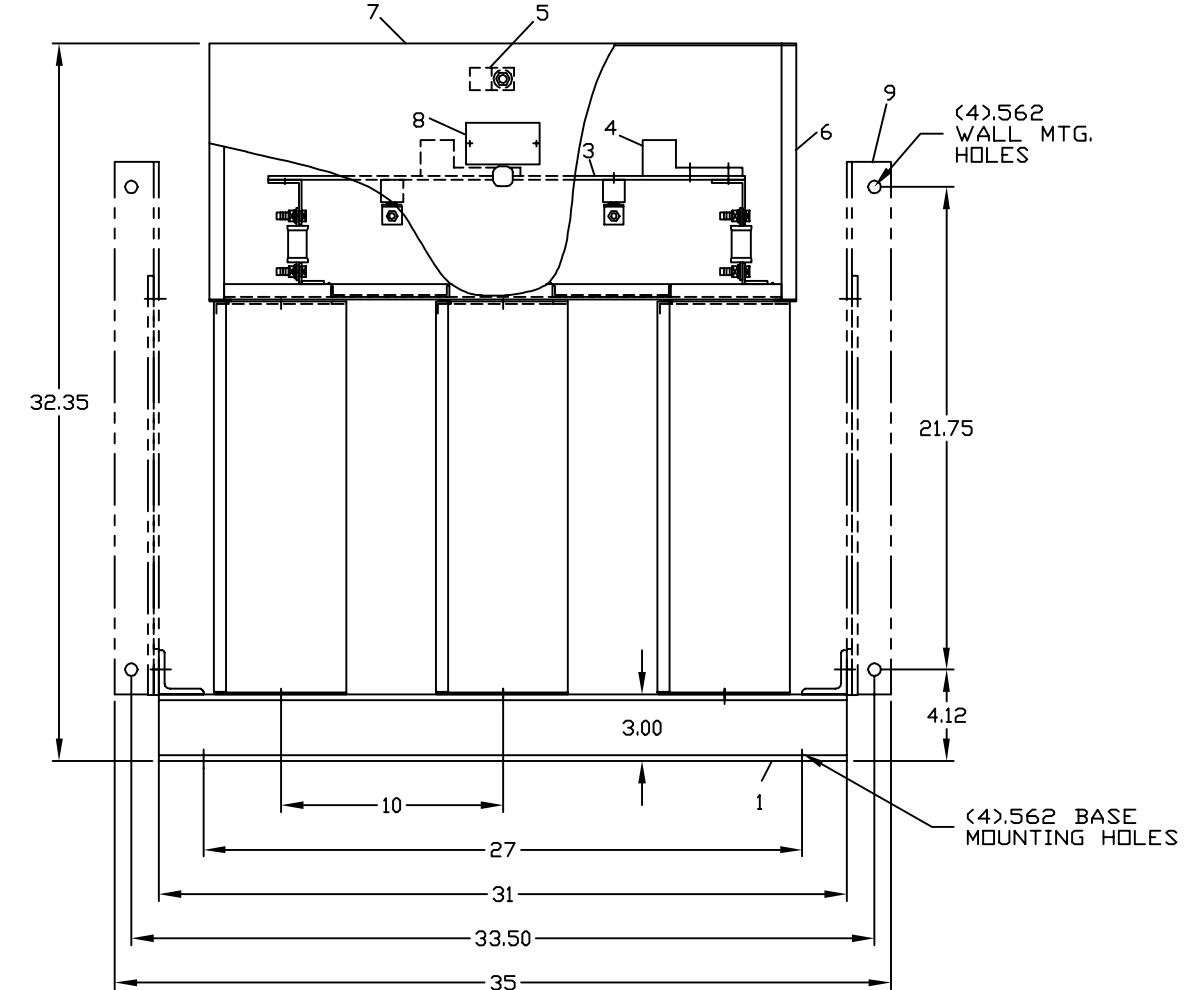
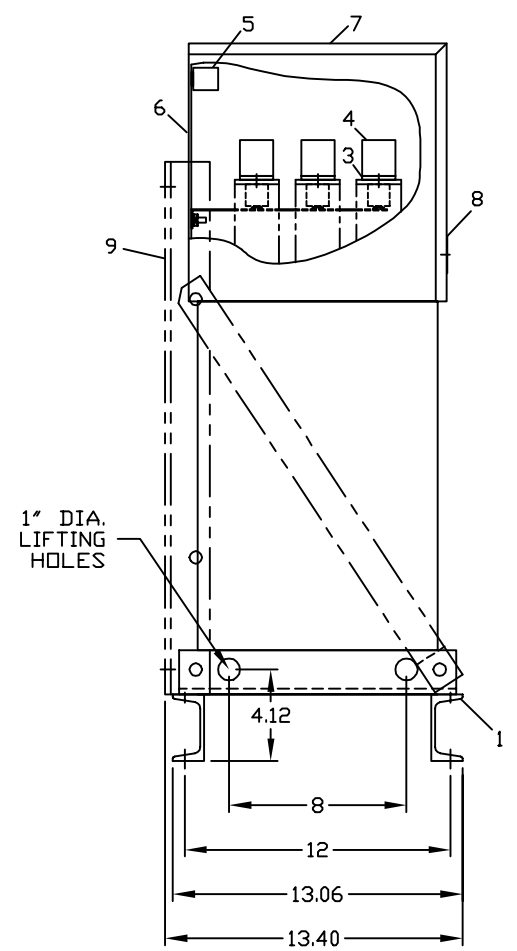


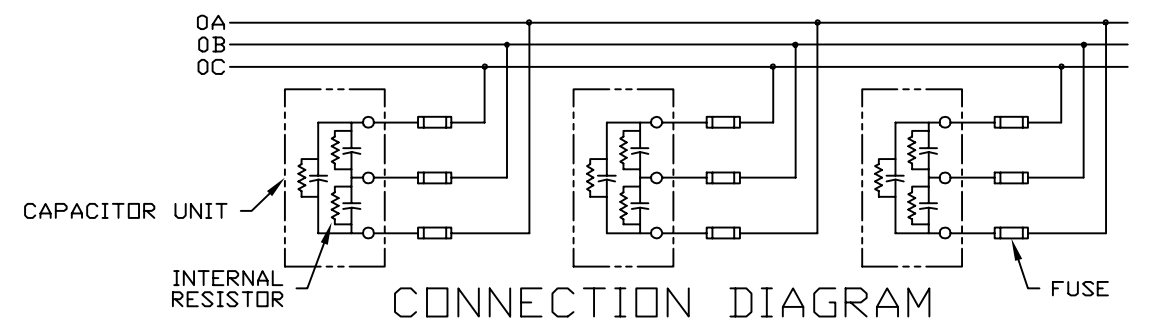
SIZE	DWG NO.	SHT	REV
C	65L915TN2	1	1

REVISIONS			
REV	DESCRIPTION	DATE	APPROVED
1	UPDATE TO AUTOCAD		KS



NOMENCLATURE

1. ALUMINUM BASE FRAME
2. CAPACITOR UNIT
3. COPPER BUS BARS
4. LINE TERMINAL - #4/0 TO 600 MCM
5. GROUND TERMINAL - #6AWG TO 250 MCM
6. BUS ENCLOSURE
7. ACCESS COVER
8. RATING NAMEPLATE
9. OPTIONAL FIELD ASSEMBLED WALL MTG. FRAME



SIGNATURES		DATE		<b>INDUSTRIAL SYSTEMS</b> <b>FORT EDWARD, N.Y., U.S.A.</b>			
DRAWN E. MCGINN		9/28/92					
CHECKED				<b>OUTLINE</b> <b>65L915TN2</b>			
ENGR							
ISSUED		9/30/93					
CAD SYS. NO.		AUTOCAD		FIRST MADE FOR:		413	
		SIZE	FSCM NO.	DWG NO.	REV	DISTR.	
		C		65L915TN2	1	ID	
		SCALE	SHEET		CONT ON SHT		

CAT 65L915TN2 SERNO  
 KVAR 120 60Hz 3ph  
 VOLT 240 DIAG 186C3233FD  
 CONN DELTA  
 Read instructions: GEH-2728