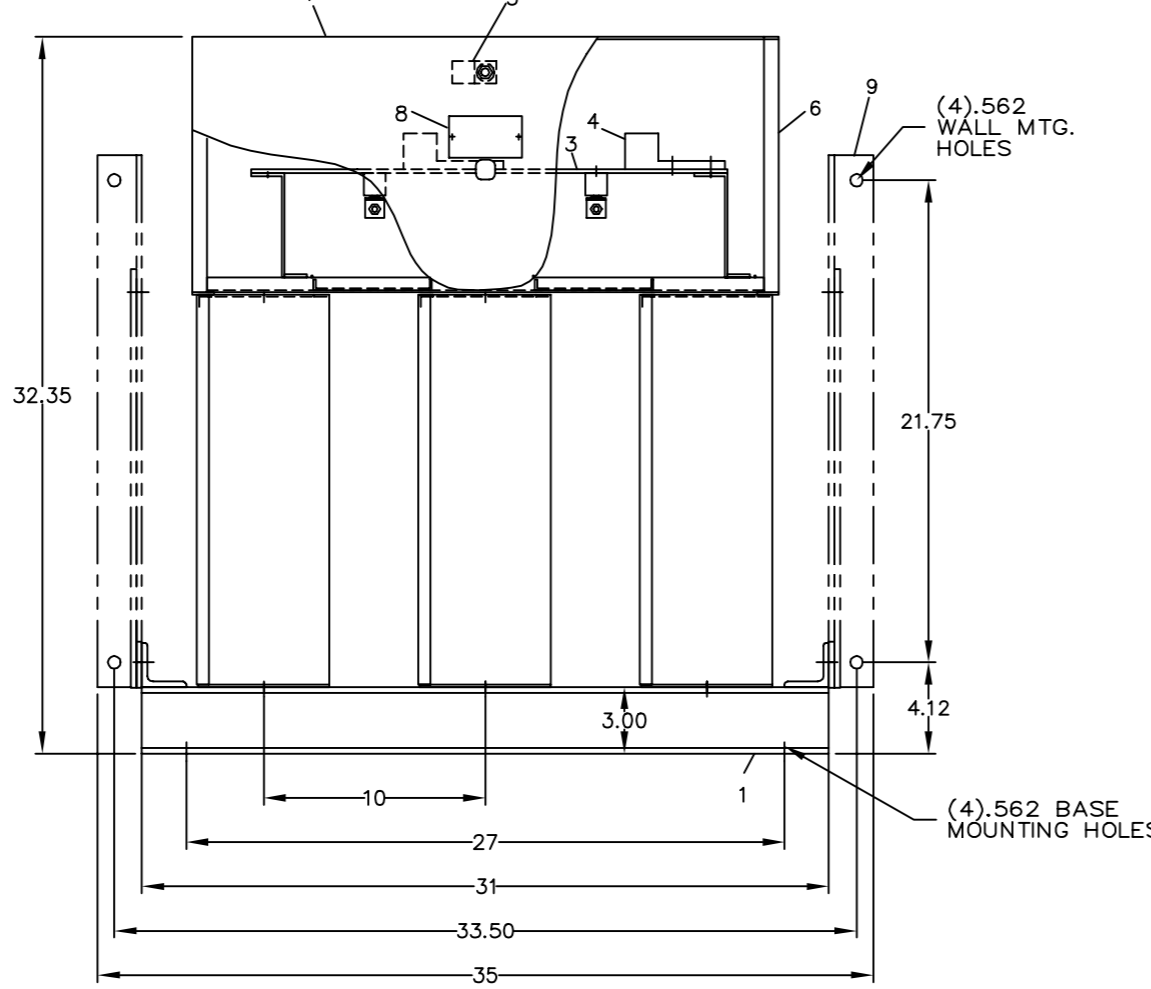
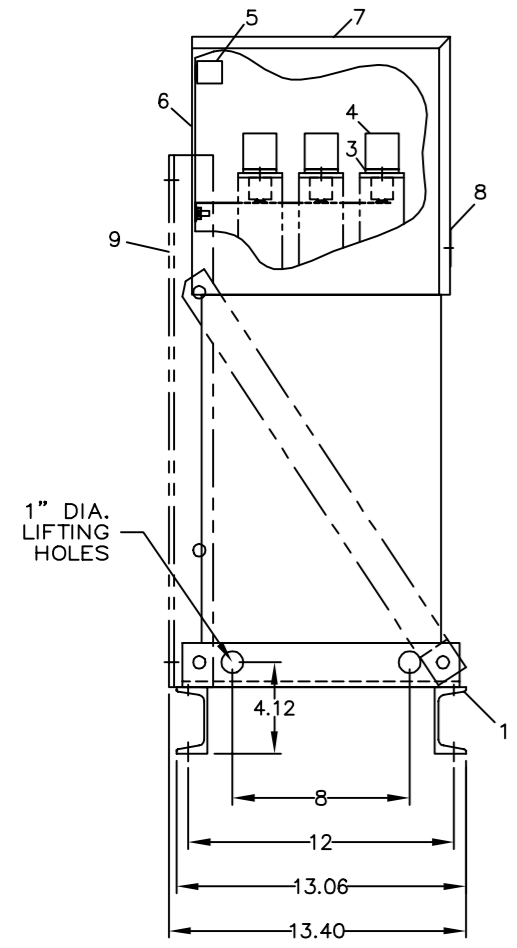
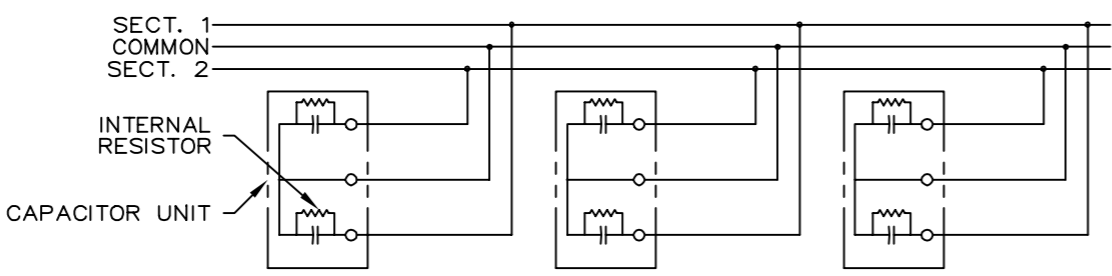


REVISIONS			
REV	DESCRIPTION	DATE	APPROVED
1	UPDATE TO AUTOCAD		EJM



**NOMENCLATURE**

- 1. ALUMINUM BASE FRAME
- 2. CAPACITOR UNIT
- 3. COPPER BUS BARS
- 4. LINE TERMINAL - #4/0 TO 600 MCM
- 5. GROUND TERMINAL - #6AWG TO 250 MCM
- 6. BUS ENCLOSURE
- 7. ACCESS COVER
- 8. RATING NAMEPLATE
- 9. OPTIONAL FIELD ASSEMBLED WALL MTG. FRAME



**CONNECTION DIAGRAM**

SIGNATURES		DATE		<b>INDUSTRIAL SYSTEMS</b> <b>FORT EDWARD, N.Y., U.S.A.</b>			
DRAWN E.McGINN		9/29/93					
CHECKED							
ENGR							
ISSUED		9/30/93		OUTLINE <b>65L915TX2</b>			
		FIRST MADE FOR:		413 DISTR TO			
CAD SYS. NO.		SIZE C	FSCM NO.			DWG NO. 65L915TX2	REV 1
AUTOCAD		SCALE				SHEET 1	CONT ON SHIT -

CAT 65L915TX2 SERNO  
 KVAR 120 60Hz 1ph  
 VOLT 240 DIAG 186C3233FN  
 CONN COM CTR  
 Read instructions: GEH-2728