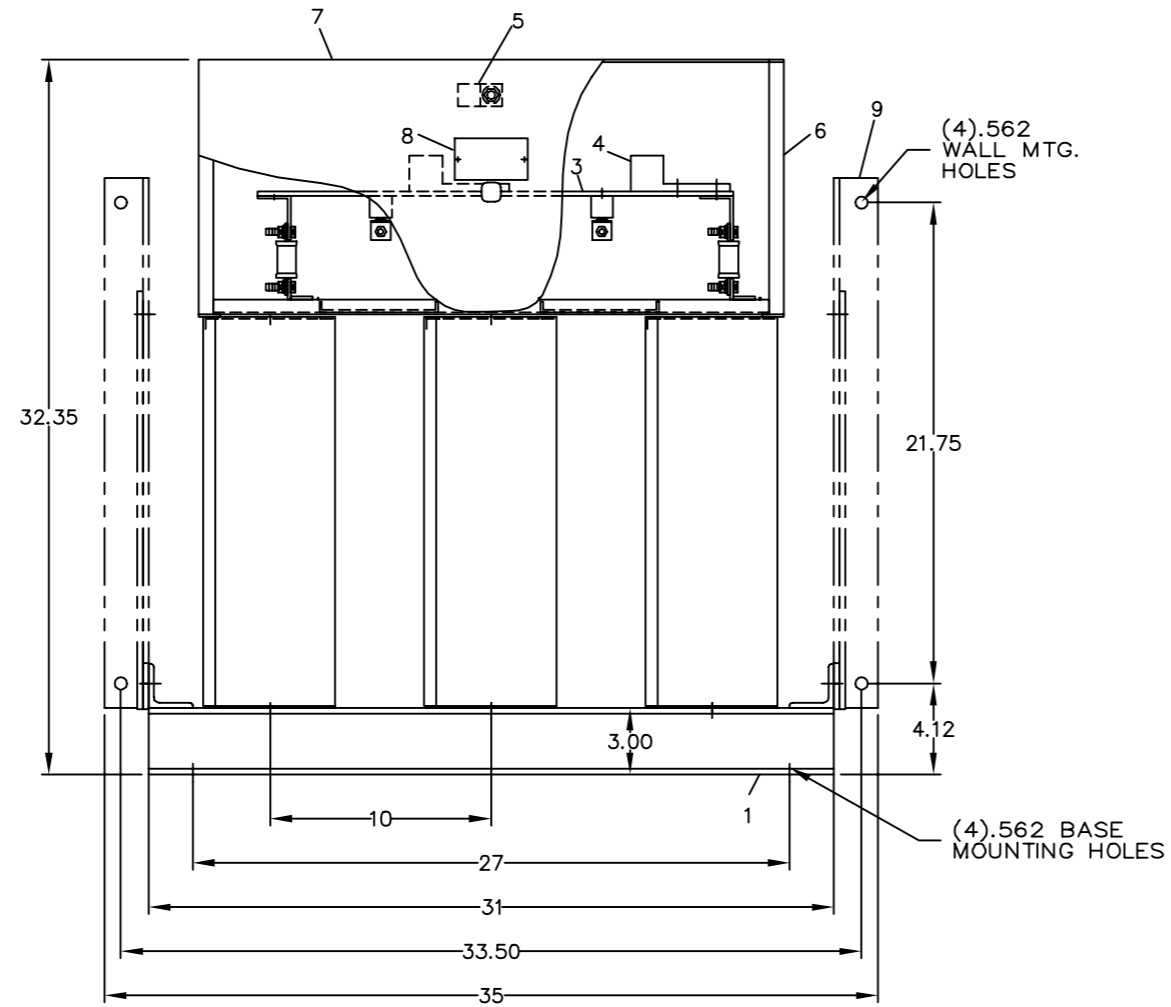
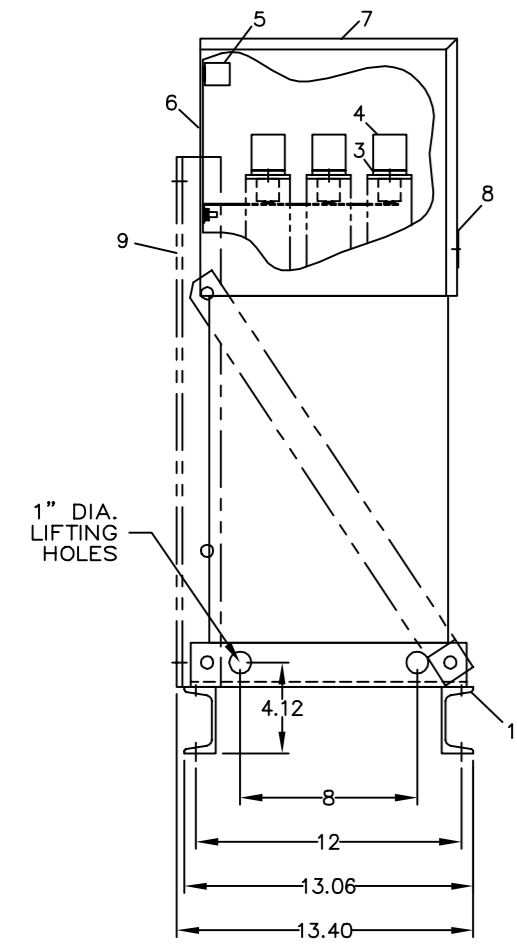
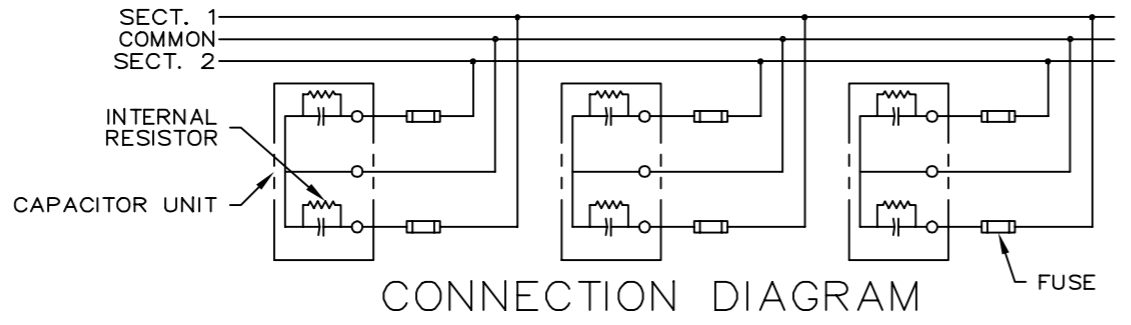


REVISIONS			
REV	DESCRIPTION	DATE	APPROVED
1	UPDATE TO AUTOCAD		EJM



NOMENCLATURE

1. ALUMINUM BASE FRAME
2. CAPACITOR UNIT
3. COPPER BUS BARS
4. LINE TERMINAL - #4/0 TO 600 MCM
5. GROUND TERMINAL - #6AWG TO 250 MCM
6. BUS ENCLOSURE
7. ACCESS COVER
8. RATING NAMEPLATE
9. OPTIONAL FIELD ASSEMBLED WALL MTG. FRAME



CONNECTION DIAGRAM

SIGNATURES		DATE		INDUSTRIAL SYSTEMS FORT EDWARD, N.Y., U.S.A. OUTLINE 65L915TY2 FIRST MADE FOR:	413
DRAWN E.McGINN		9/28/93			
CHECKED					
ENGR					
ISSUED		9/30/95			
CAD SYS. NO.		SIZE C	FSCM NO.	DWG NO. 65L915TY2	REV 1
AUTOCAD		SCALE		SHEET 1	CONT ON SHT -

CAT	65L915TY2	SERNO	
KVAR	120	60Hz	1ph
VOLT	240	DIAG	186C3233FK
		CONN	CDM CTR

Read instructions: GEH-2728