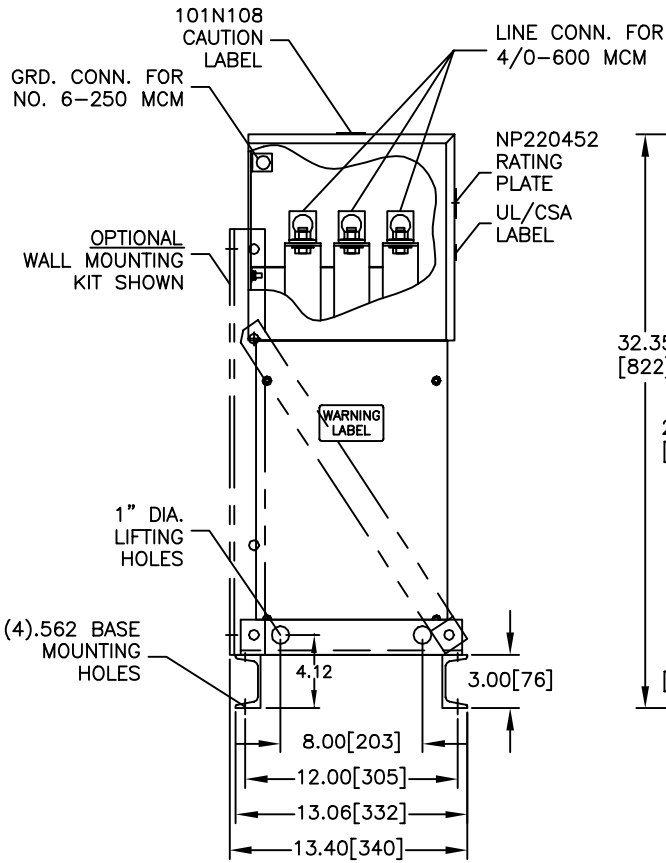
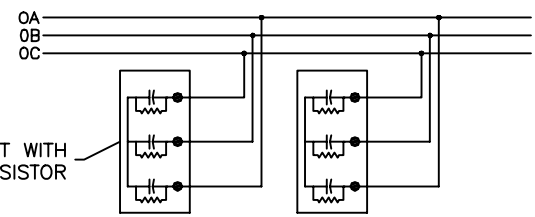
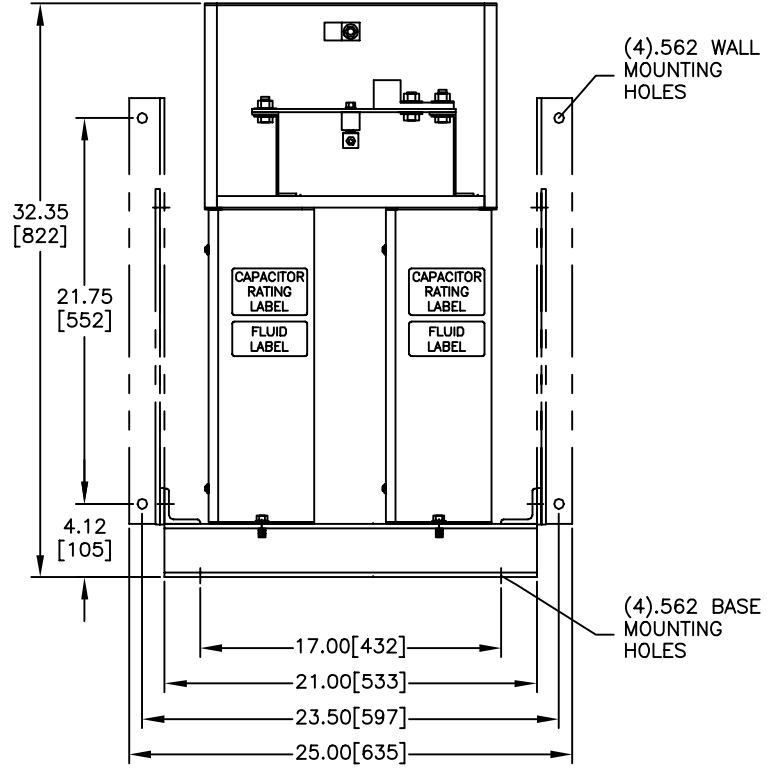


| | | | |
|-----------|---------------------|----------|----------|
| SIZE A | DWG NO 65L916TF3 | SHT 2 | REV |
| REV | DESCRIPTION | DATE | APPROVED |
| | | | |



FRONT VIEW
SHOWN WITH TOP/FRONT COVER REMOVED



CONNECTION DIAGRAM

CAPACITOR

CAT. 65L916TF3 SER.NO.
 kVAR 125 60 Hz 3 Ph
 VOLT. 600 CONN. WYE

DIAG. 186C3233EL

CAUTION BEFORE INSTALLING OR OPERATING READ INST. 2738

CAPACITOR UNITS CONTAIN CLASS III B COMBUSTIBLE LIQUID.
 CAPACITOR UNITS INCLUDE INTERNAL DISCHARGE RESISTORS.
 NP220452 FORT EDWARD, N.Y. MADE IN U.S.A.

| | | | |
|--|--|-------------------------|---|
| INDUSTRIAL SYSTEMS FORT EDWARD, N.Y., U.S.A. | SIZE A | EST. WEIGHT: 87 | <h1 style="margin: 0;">OUTLINE</h1> <h2 style="margin: 0;">65L916TF3</h2> |
| | DRAWN B.Ross DATE 6/24/2003 | GALLONS LIQUID: 0.93 | |
| ISSUED | DATE 7/9/2003 | SCALE | |

DISTR. TO