

4

3

2

C

SIZE DWG NO.

65L916TR2

SHT

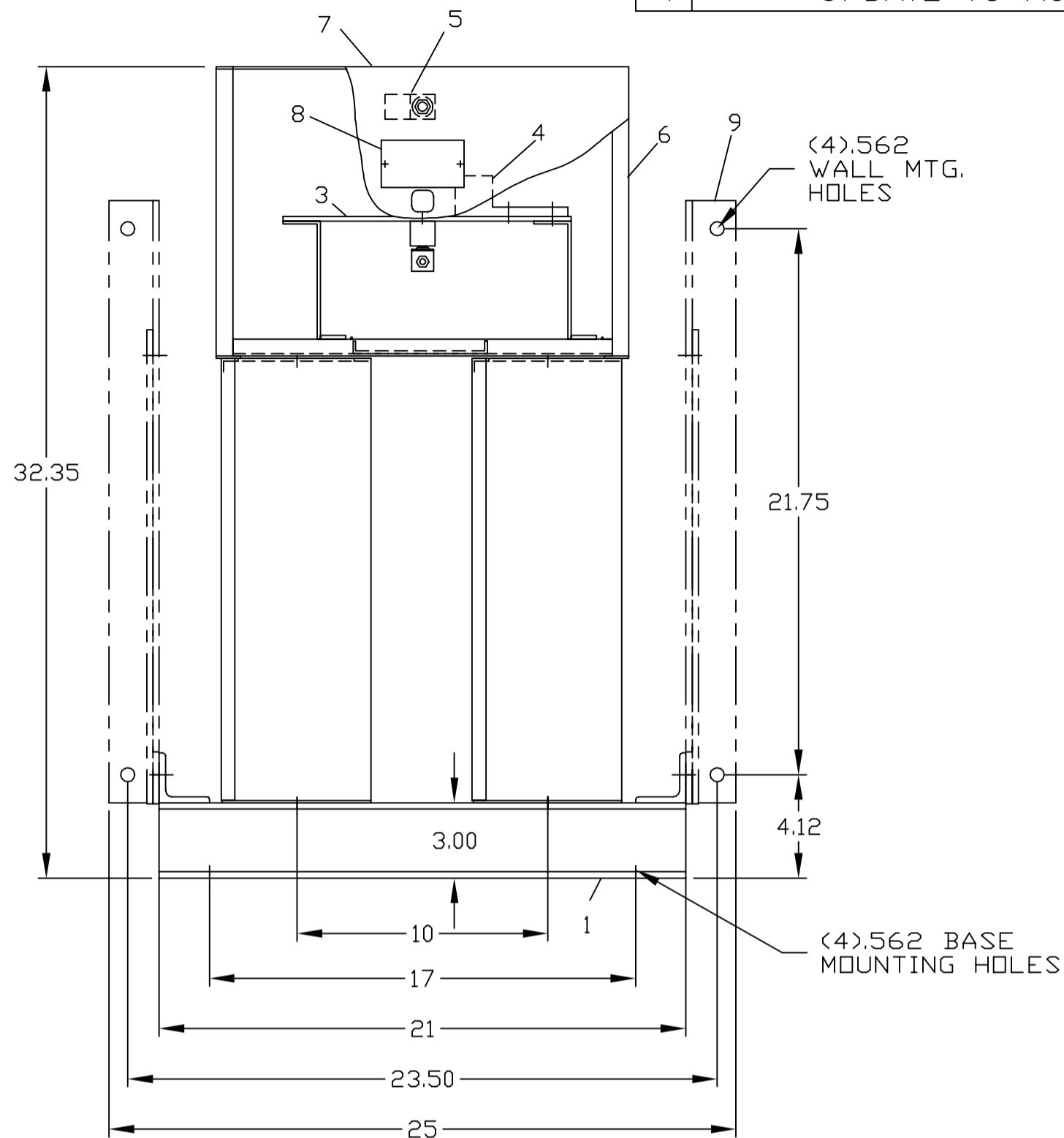
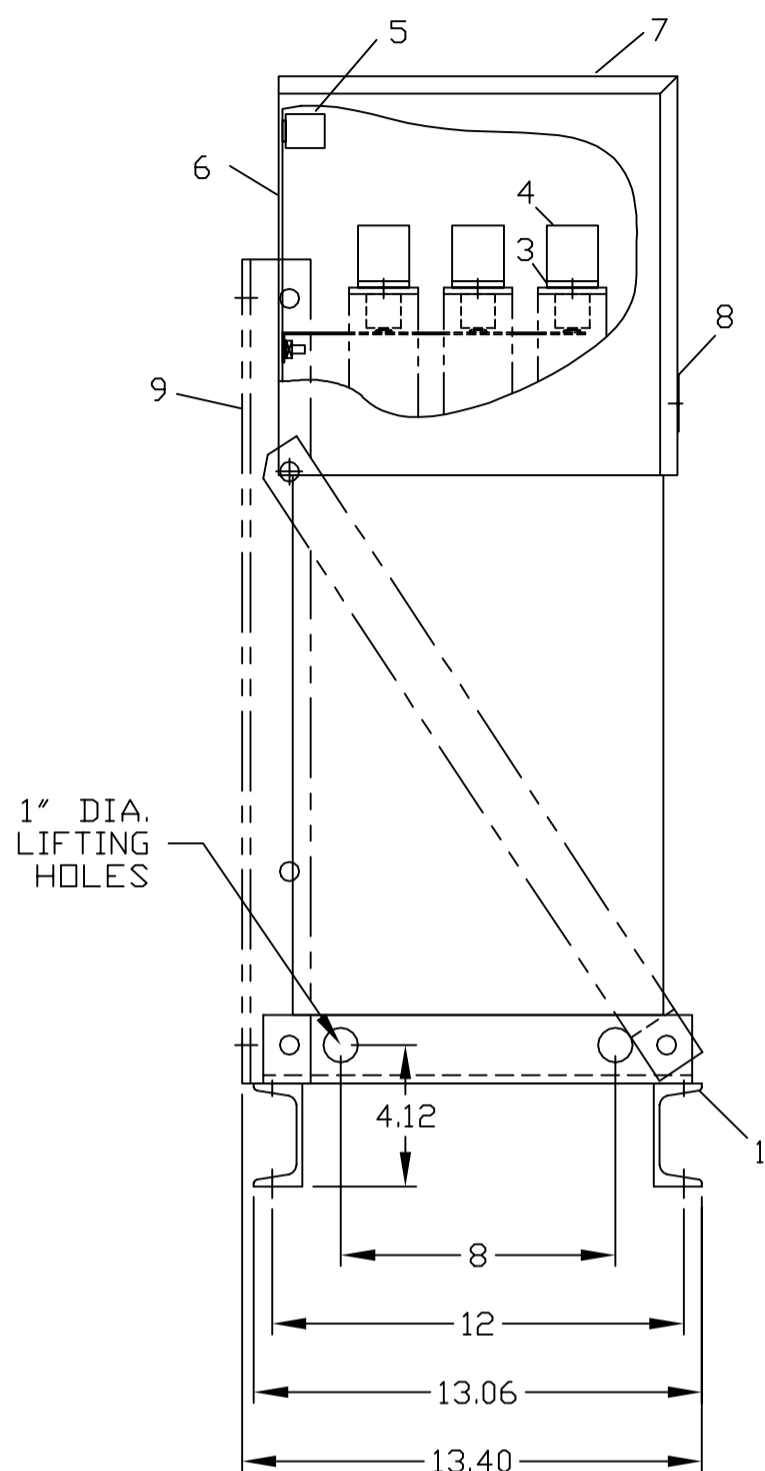
REV NO.

1

1

REVISIONS

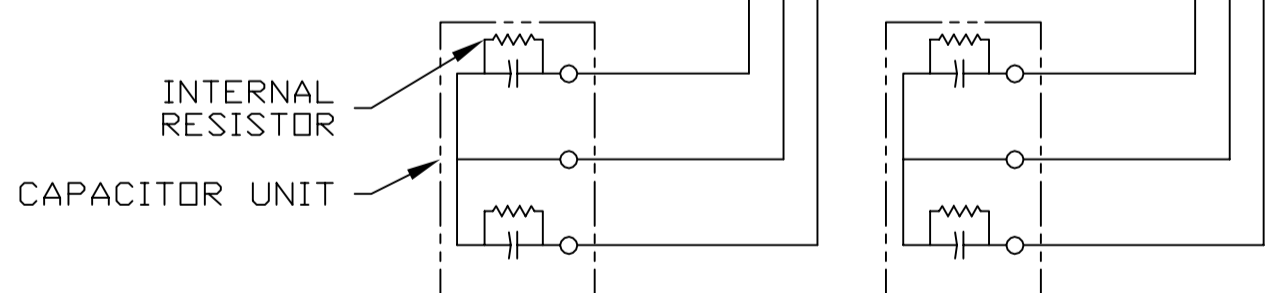
| REV | DESCRIPTION       | DATE | APPROVED |
|-----|-------------------|------|----------|
| 1   | UPDATE TO AUTOCAD |      | KS       |



NOMENCLATURE

- 1. ALUMINUM BASE FRAME
- 2. CAPACITOR UNIT
- 3. COPPER BUS BARS
- 4. LINE TERMINAL - #4/0 TO 600 MCM
- 5. GROUND TERMINAL - #6AWG TO 250 MCM
- 6. BUS ENCLOSURE
- 7. ACCESS COVER
- 8. RATING NAMEPLATE
- 9. OPTIONAL FIELD ASSEMBLED WALL MTG. FRAME

SECT. 1  
COMMON  
SECT. 2



CONNECTION DIAGRAM

CAT 65L916TR2 SERNO  
 KVAR 125 60Hz 1ph  
 VOLT 480 DIAG 186C3233EN  
 CONN COM CTR  
 Read instructions: GEH-2728

| SIGNATURES     | DATE    |
|----------------|---------|
| DRAWN E.McGINN | 9/24/92 |
| CHECKED        |         |
| ENGR           |         |
| ISSUED         | 9/30/93 |
| CAD SYS. NO.   |         |
| AUTOCAD        |         |



INDUSTRIAL SYSTEMS  
FORT EDWARD, N.Y., U.S.A.

OUTLINE  
65L916TR2

FIRST MADE FOR:

|        |          |                   |          |
|--------|----------|-------------------|----------|
| SIZE C | FSCM NO. | DWG NO. 65L916TR2 | REV 1    |
| SCALE  | SHEET    | CONT ON SHT       | DISTR TO |

413

4

3

2

1