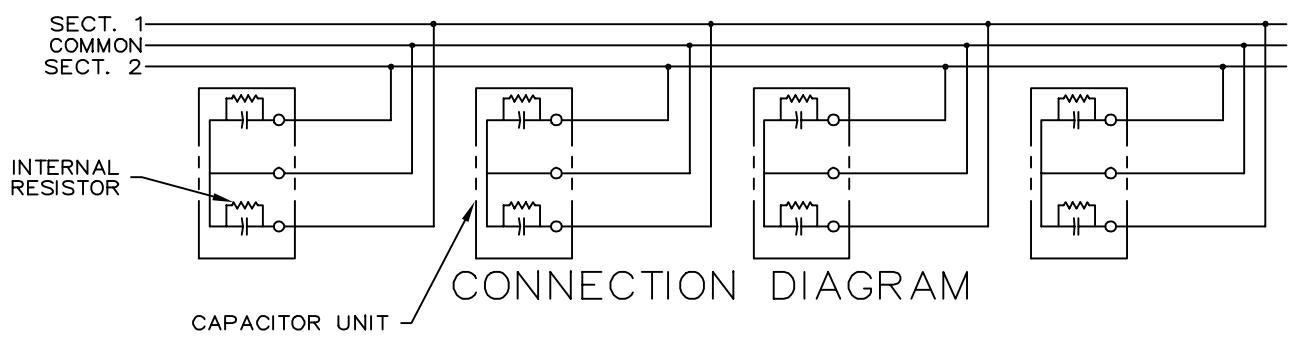
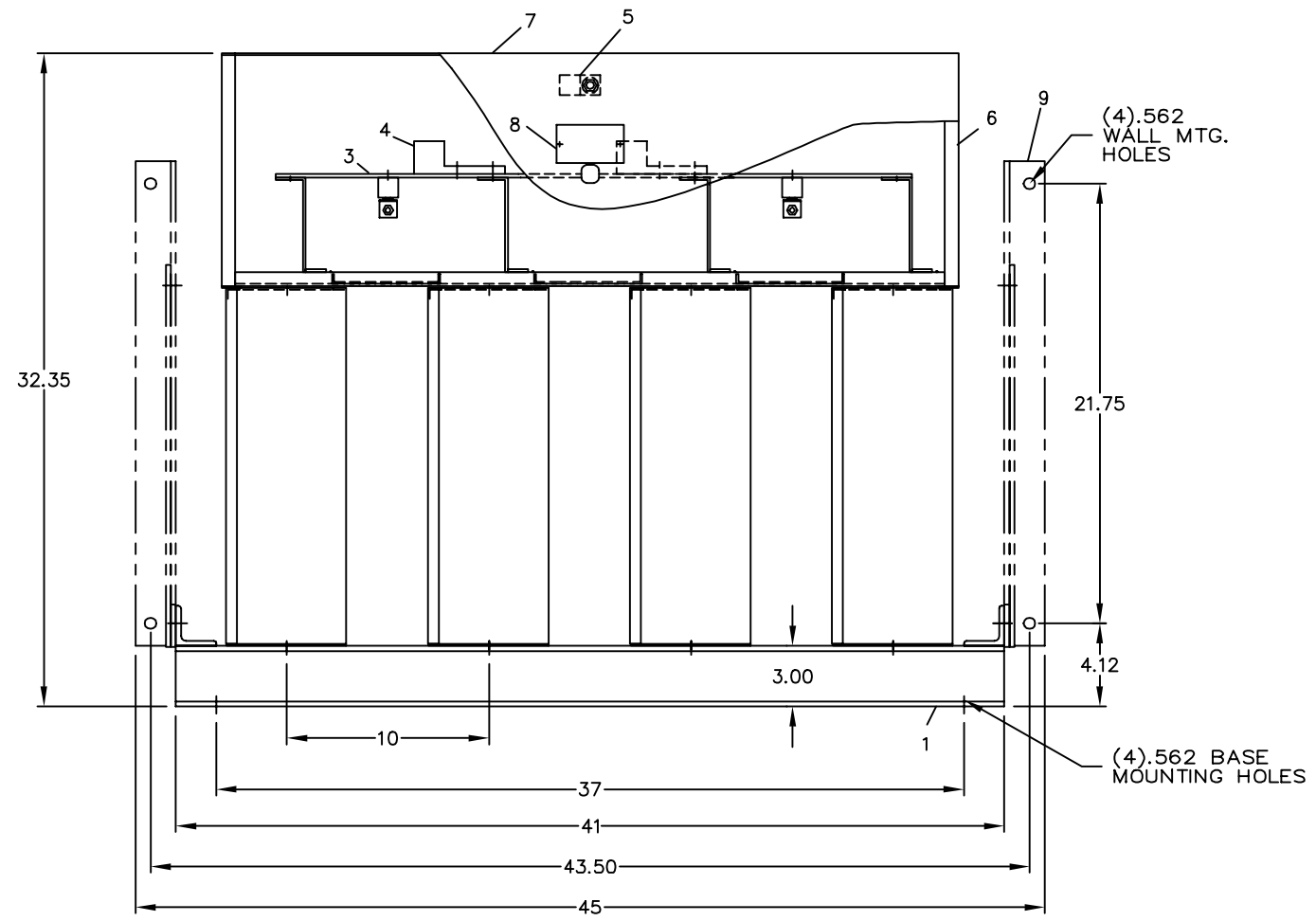
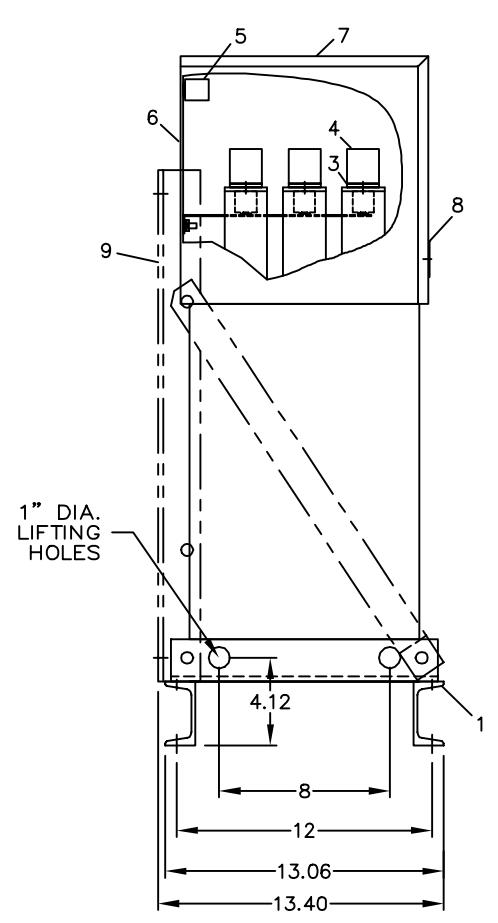


REVISIONS			
REV	DESCRIPTION	DATE	APPROVED
1	UPDATE TO AUTOCAD	11/8/00	FWL



NOMENCLATURE

1. ALUMINUM BASE FRAME
2. CAPACITOR UNIT
3. COPPER BUS BARS
4. LINE TERMINAL - #4/0 TO 600 MCM
5. GROUND TERMINAL - #6AWG TO 250 MCM
6. BUS ENCLOSURE
7. ACCESS COVER
8. RATING NAMEPLATE
9. OPTIONAL FIELD ASSEMBLED WALL MTG. FRAME

SIGNATURES		DATE		INDUSTRIAL SYSTEMS FORT EDWARD, N.Y., U.S.A. OUTLINE 65L916TX2	
DRAWN E.MCGINN		10/1/92			
CHECKED					
ENGR					
ISSUED		9/30/93		FIRST MADE FOR:	
CAD SYS. NO.		SIZE C	FSCM NO.	DWG NO. 65L916TX2	REV 1
AUTOCAD		SCALE		SHEET 1	CONT ON SHIT -

CAT 65L916TX2 SERNO
 KVAR 125 60Hz 1ph
 VOLT 240 DIAG 186C3233GN
 CONN COM CTR
 Read instructions: GEH-2728

413
DISTR TO