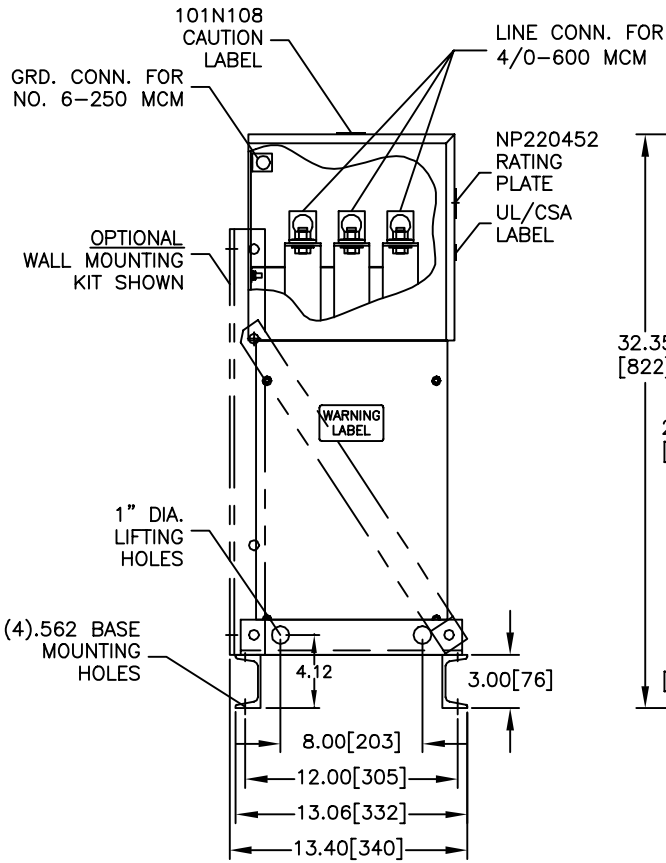
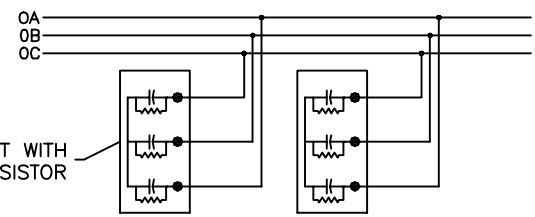
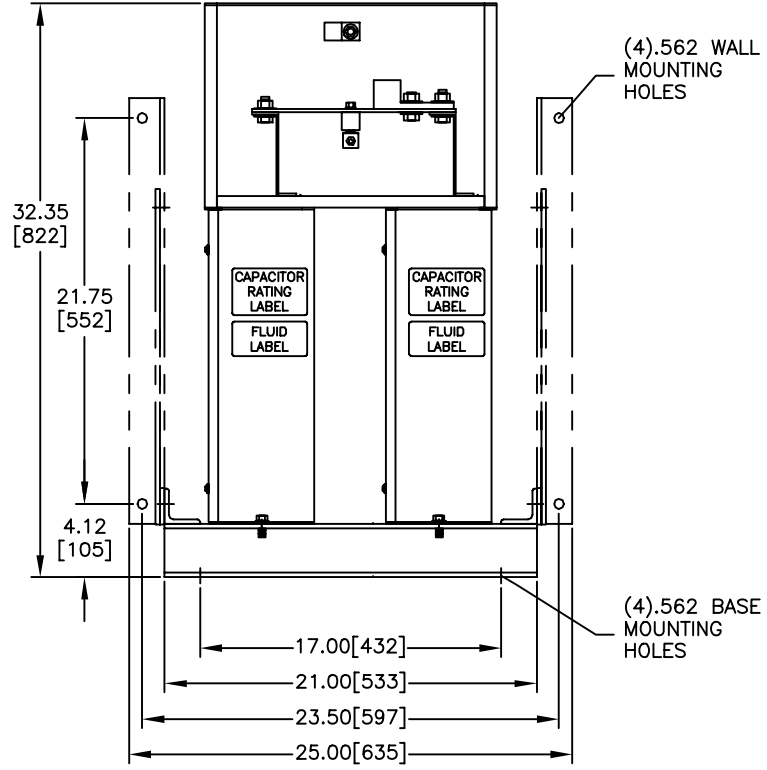


SIZE A	DWG NO 65L917TF3	SHT 2	REV
REV	DESCRIPTION	DATE	APPROVED



FRONT VIEW
SHOWN WITH TOP/FRONT COVER REMOVED



CONNECTION DIAGRAM

CAPACITOR

CAT. 65L917TF3 SER.NO.
 kVAR 130 60 Hz 3 Ph
 VOLT. 600 CONN. WYE

DIAG. 186C3233EL

CAUTION BEFORE INSTALLING OR OPERATING READ INST. 2738

CAPACITOR UNITS CONTAIN CLASS III B COMBUSTIBLE LIQUID.
 CAPACITOR UNITS INCLUDE INTERNAL DISCHARGE RESISTORS.
 NP220452 FORT EDWARD, N.Y. MADE IN U.S.A.

INDUSTRIAL SYSTEMS FORT EDWARD, N.Y., U.S.A.	SIZE A	EST. WEIGHT: 87	<h1 style="margin: 0;">OUTLINE</h1> <h2 style="margin: 0;">65L917TF3</h2>
	DRAWN A.Cozzens DATE 6/25/2003	GALLONS LIQUID: 0.88	
ISSUED	DATE 7/9/2003	SHEET 2	CONT ON -

DISTR. TO