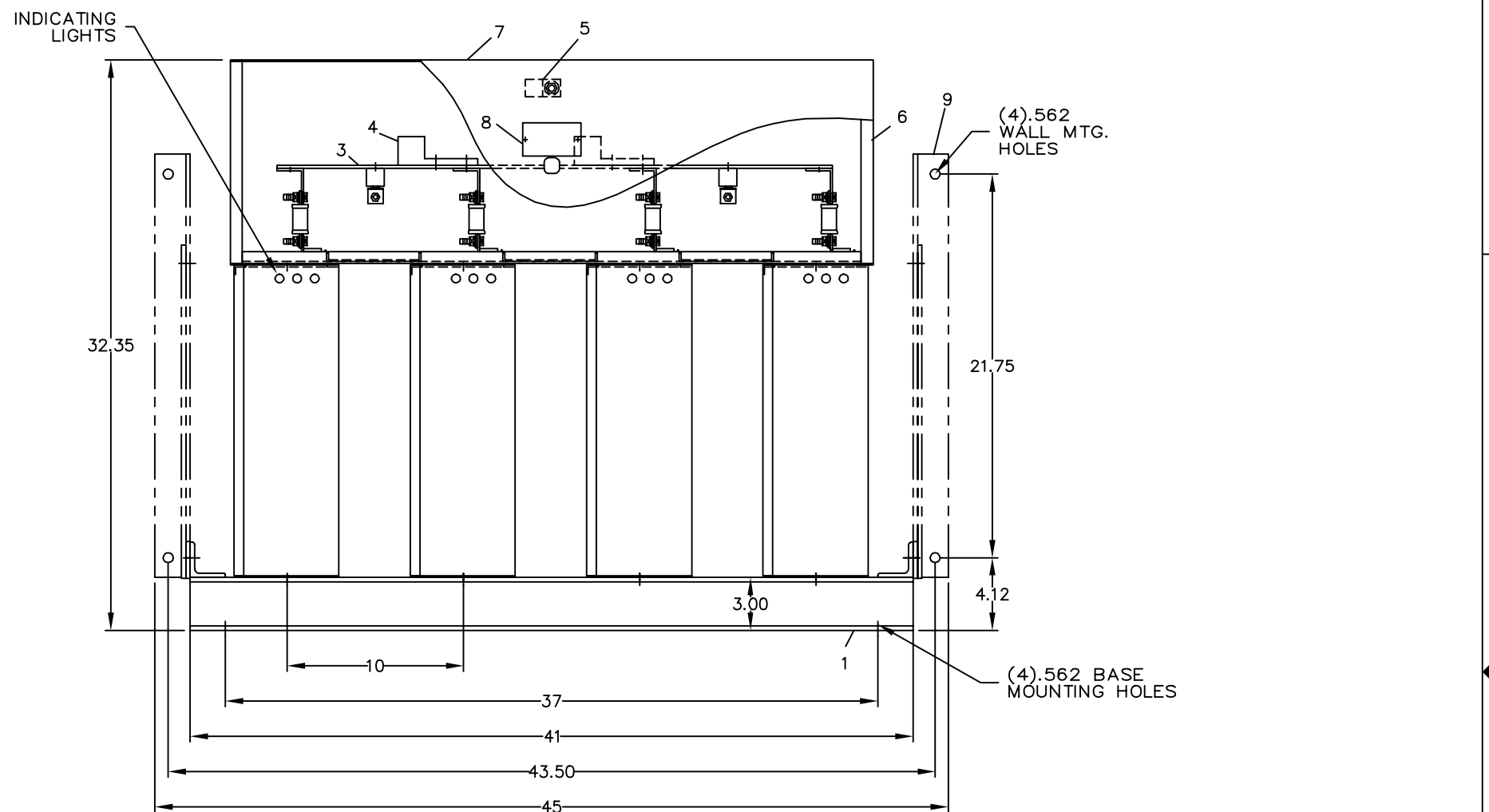
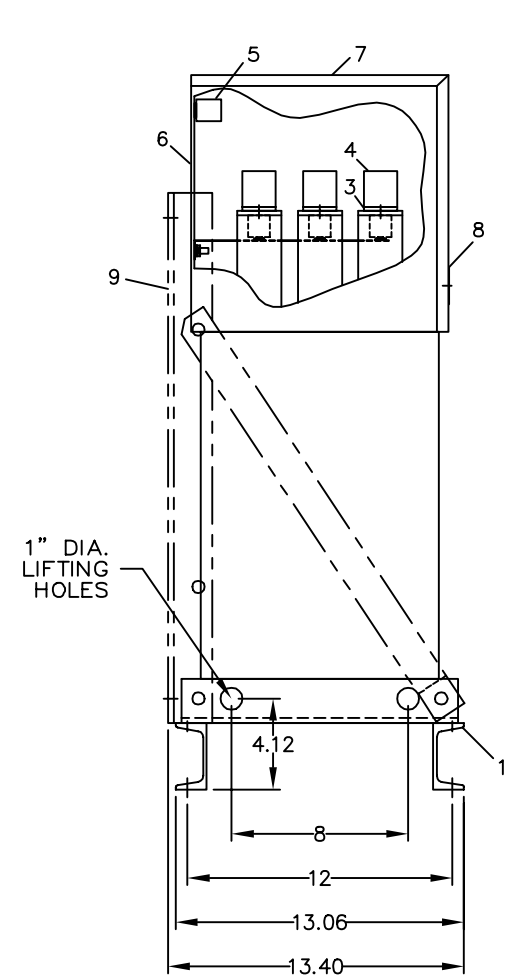
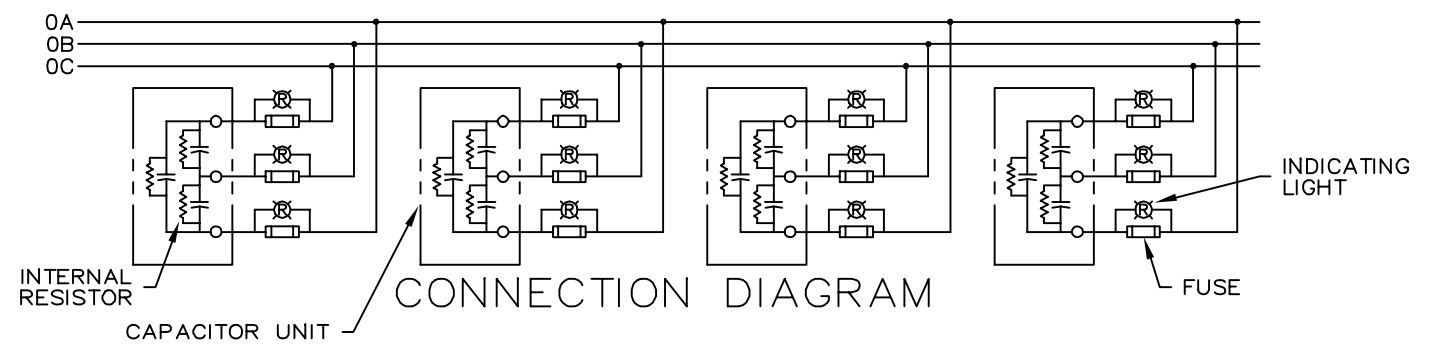


REVISIONS			
REV	DESCRIPTION	DATE	APPROVED
1	UPDATE TO AUTOCAD		EJM



- NOMENCLATURE**
1. ALUMINUM BASE FRAME
  2. CAPACITOR UNIT
  3. COPPER BUS BARS
  4. LINE TERMINAL - #4/0 TO 600 MCM
  5. GROUND TERMINAL - #6AWG TO 250 MCM
  6. BUS ENCLOSURE
  7. ACCESS COVER
  8. RATING NAMEPLATE
  9. OPTIONAL FIELD ASSEMBLED WALL MTG. FRAME



SIGNATURES		DATE		<b>INDUSTRIAL SYSTEMS</b> FORT EDWARD, N.Y., U.S.A.  OUTLINE 65L917TQ2  FIRST MADE FOR:	
DRAWN E.McGINN		9/30/93			
CHECKED					
ENGR					
ISSUED		9/30/93			
CAD SYS. NO.		SIZE C	FSCM NO.	DWG NO. 65L917TQ2	REV 1
AUTOCAD		SCALE		SHEET 1	CONT ON SHT -

CAT 65L917TQ2 SERNO  
 KVAR 130 60Hz 3ph  
 VOLT 240 DIAG 186C3233GB  
 CONN DELTA  
 Read instructions: GEH-2728

413

DISTR TO