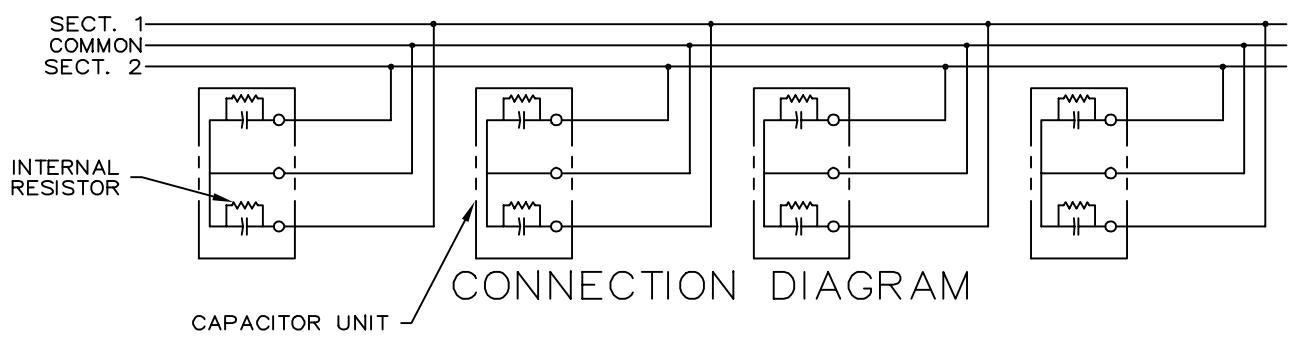
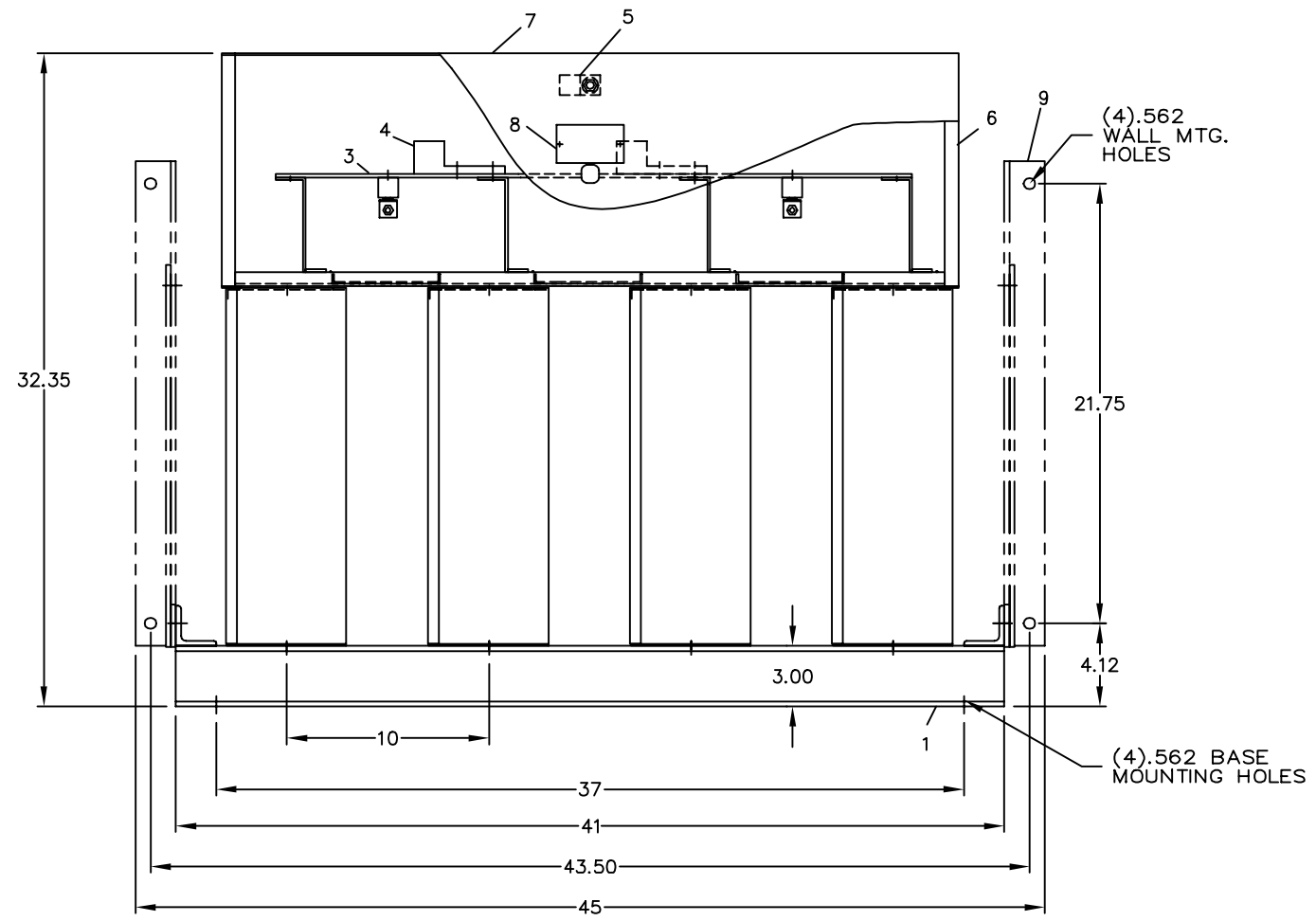
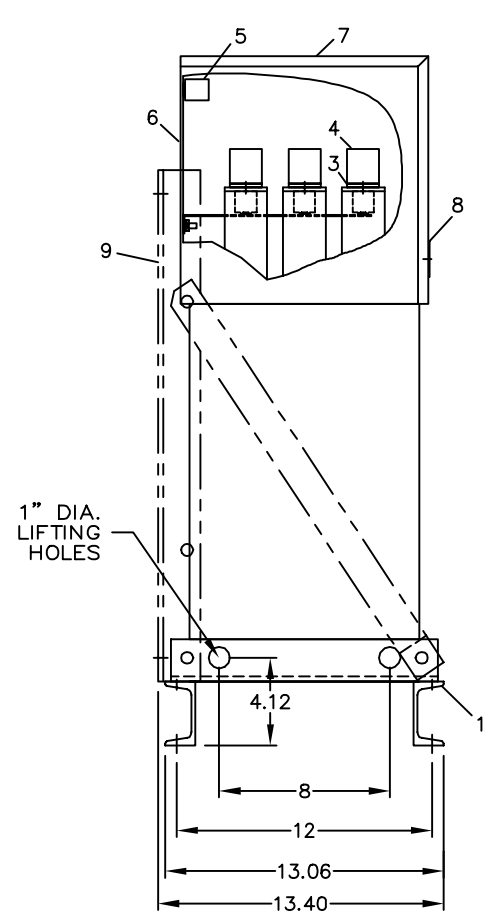


REVISIONS			
REV	DESCRIPTION	DATE	APPROVED
1	UPDATE TO AUTOCAD	11/8/00	FWL



NOMENCLATURE

1. ALUMINUM BASE FRAME
2. CAPACITOR UNIT
3. COPPER BUS BARS
4. LINE TERMINAL - #4/0 TO 600 MCM
5. GROUND TERMINAL - #6AWG TO 250 MCM
6. BUS ENCLOSURE
7. ACCESS COVER
8. RATING NAMEPLATE
9. OPTIONAL FIELD ASSEMBLED WALL MTG. FRAME

SIGNATURES		DATE		INDUSTRIAL SYSTEMS FORT EDWARD, N.Y., U.S.A.	
DRAWN E.MCGINN		10/1/92			
CHECKED				OUTLINE 65L917TX2	
ENGR					
ISSUED		9/30/93			
CAD SYS. NO.		AUTOCAD		SIZE	C
		FSCM NO.		DWG NO.	65L917TX2
				REV	1
				SCALE	
				SHEET 1	CONT ON SHIT -

CAT 65L917TX2 SERNO
 KVAR 130 60Hz 1ph
 VOLT 240 DIAG 186C3233GN
 CONN COM CTR
 Read instructions: GEH-2728

413

DISTR TO