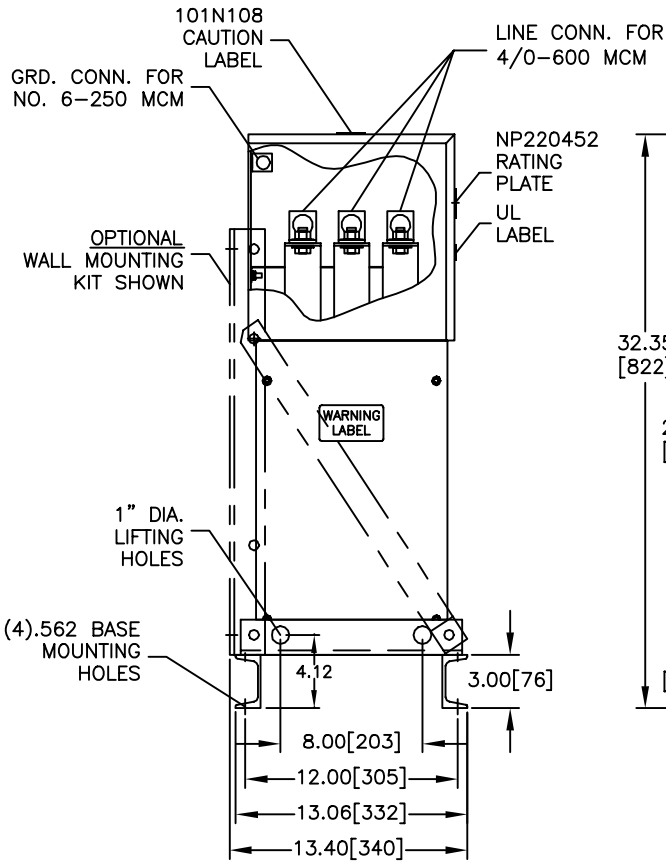
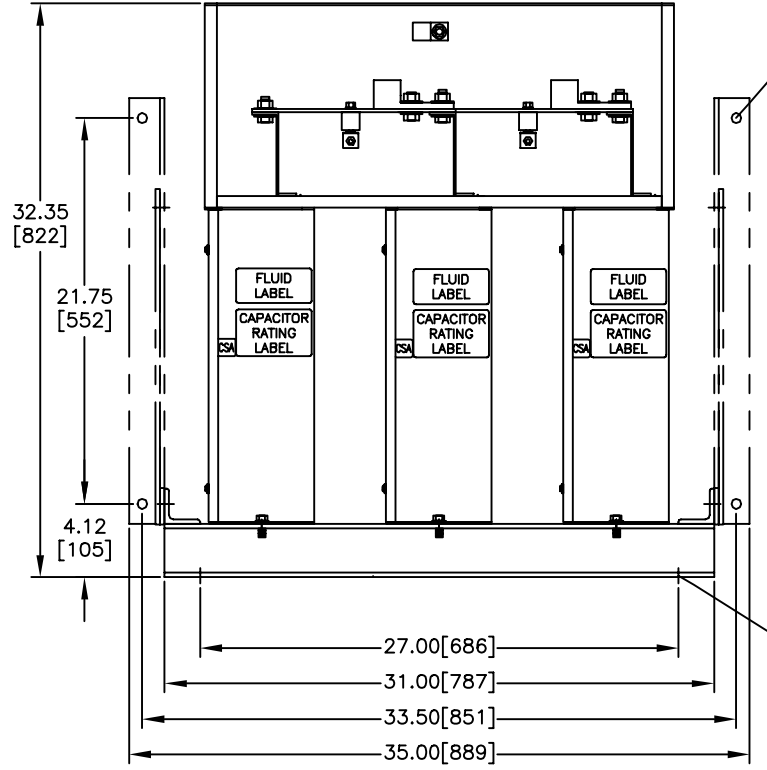


SIZE A	DWG NO 65L917TX3	SHT 2	REV
REV	DESCRIPTION	DATE	APPROVED



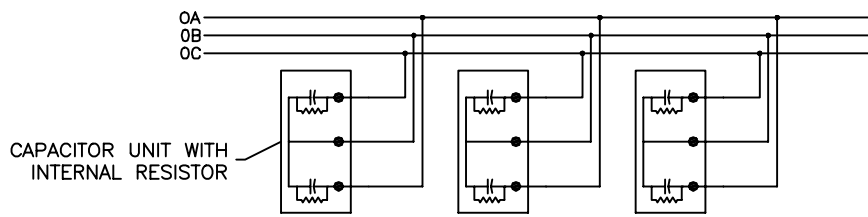
FRONT VIEW  
SHOWN WITH TOP/FRONT COVER REMOVED



## CAPACITOR

CAT. 65L917TX3      SER.NO.  
kVAR 130      60 Hz      1 Ph  
VOLT. 240      CONN. COM CTR  
DIAG. 186C3233FN

**CAUTION** BEFORE INSTALLING OR OPERATING READ INST. 2738  
CAPACITOR UNITS CONTAIN CLASS III B COMBUSTIBLE LIQUID.  
CAPACITOR UNITS INCLUDE INTERNAL DISCHARGE RESISTORS.  
NP220452      FORT EDWARD, N.Y.      MADE IN U.S.A.



CONNECTION DIAGRAM

<b>INDUSTRIAL SYSTEMS</b> FORT EDWARD, N.Y., U.S.A.	SIZE <b>A</b>	EST. WEIGHT: 147	<h1 style="margin: 0;">OUTLINE</h1> <h2 style="margin: 0;">65L917TX3</h2>
	DRAWN      B.Ross      DATE      8/8/2003	SCALE	
ISSUED	DATE      8/13/2003	SHEET      2	CONT ON      -

DISTR. TO