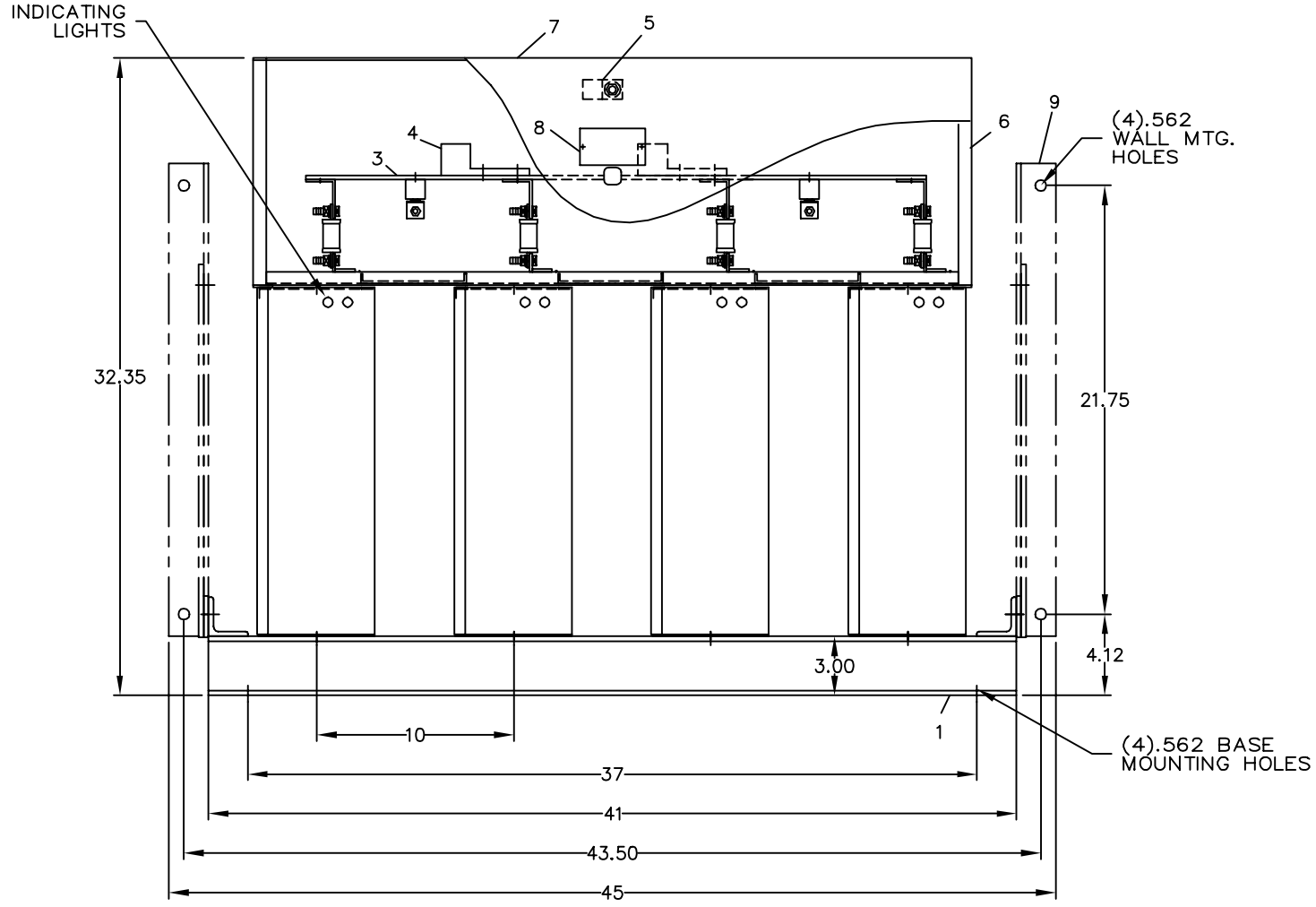
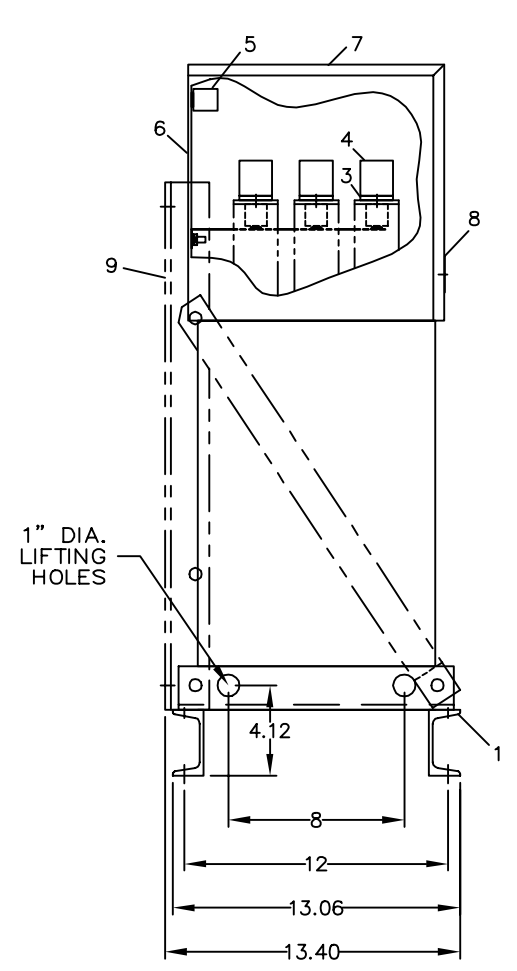
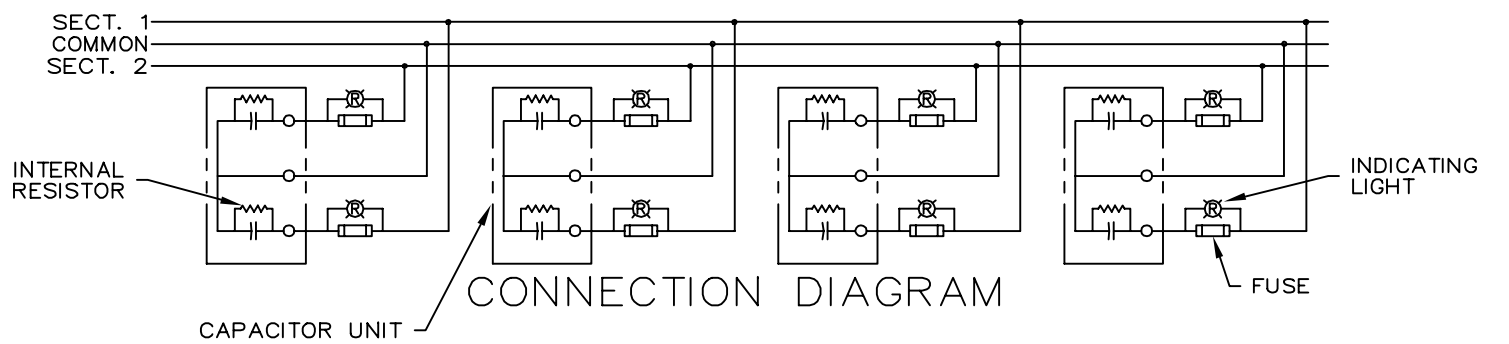


REVISIONS			
REV	DESCRIPTION	DATE	APPROVED
1	UPDATE TO AUTOCAD		EJM



- NOMENCLATURE**
1. ALUMINUM BASE FRAME
 2. CAPACITOR UNIT
 3. COPPER BUS BARS
 4. LINE TERMINAL - #4/0 TO 600 MCM
 5. GROUND TERMINAL - #6AWG TO 250 MCM
 6. BUS ENCLOSURE
 7. ACCESS COVER
 8. RATING NAMEPLATE
 9. OPTIONAL FIELD ASSEMBLED WALL MTG. FRAME



SIGNATURES		DATE	INDUSTRIAL SYSTEMS FORT EDWARD, N.Y., U.S.A. OUTLINE 65L917TZ2 FIRST MADE FOR:	413	
DRAWN	E.McGINN	9-30-93			
CHECKED					
ENGR					
ISSUED		9-30-93			
CAD SYS. NO.		SCALE	SIZE C FSCM NO.	DWG NO. 65L917TZ2	REV 1
AUTOCAD			SHEET 1	CONT ON SHT -	DISTR TO

CAT 65L917TZ2 SERNO
 KVAR 130 60Hz 1ph
 VOLT 240 DIAG 186C3233GG
 CONN CDM CTR
 Read instructions: GEH-2728