

4

3

2

C

SIZE DWG NO.

65L918TH2

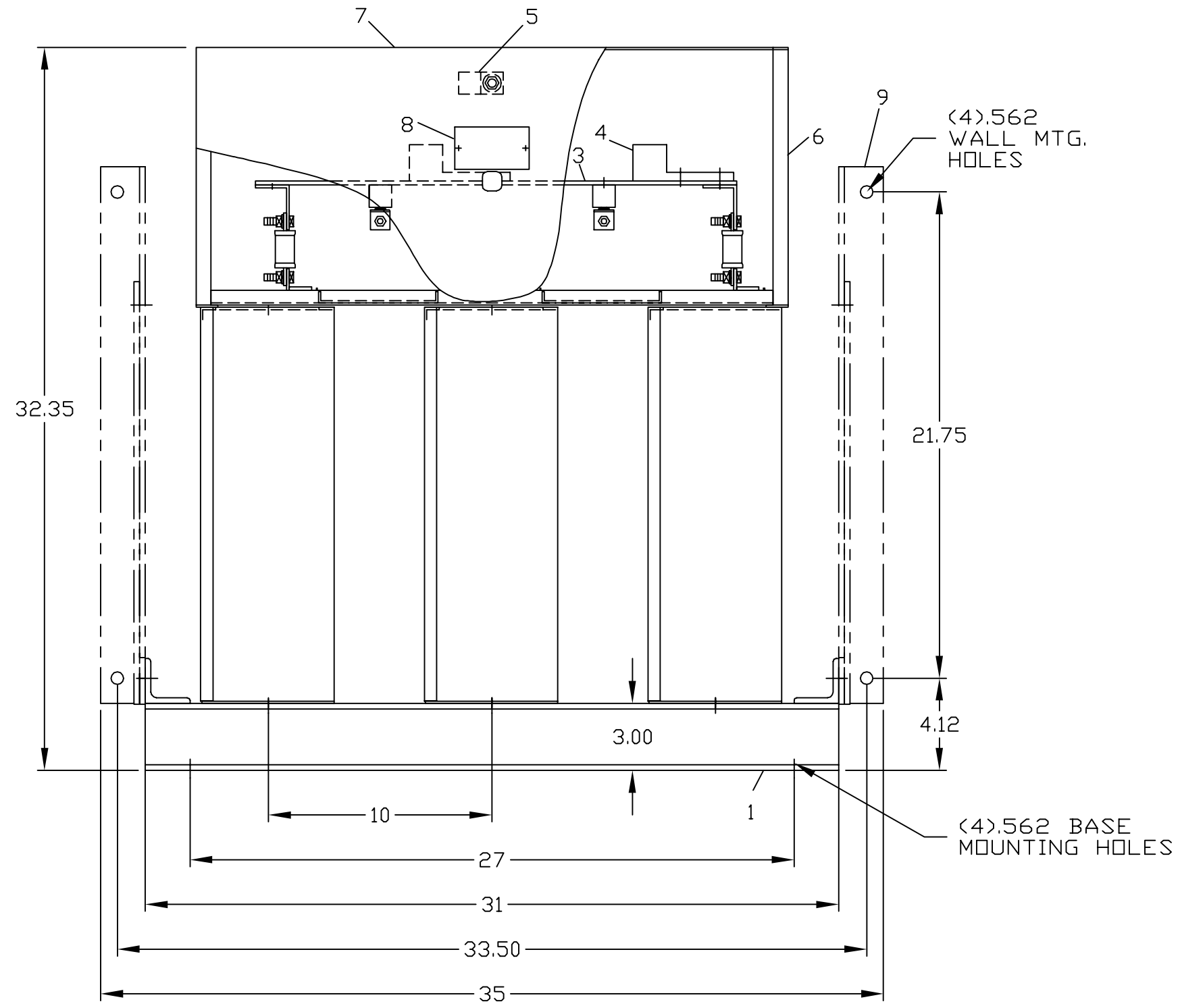
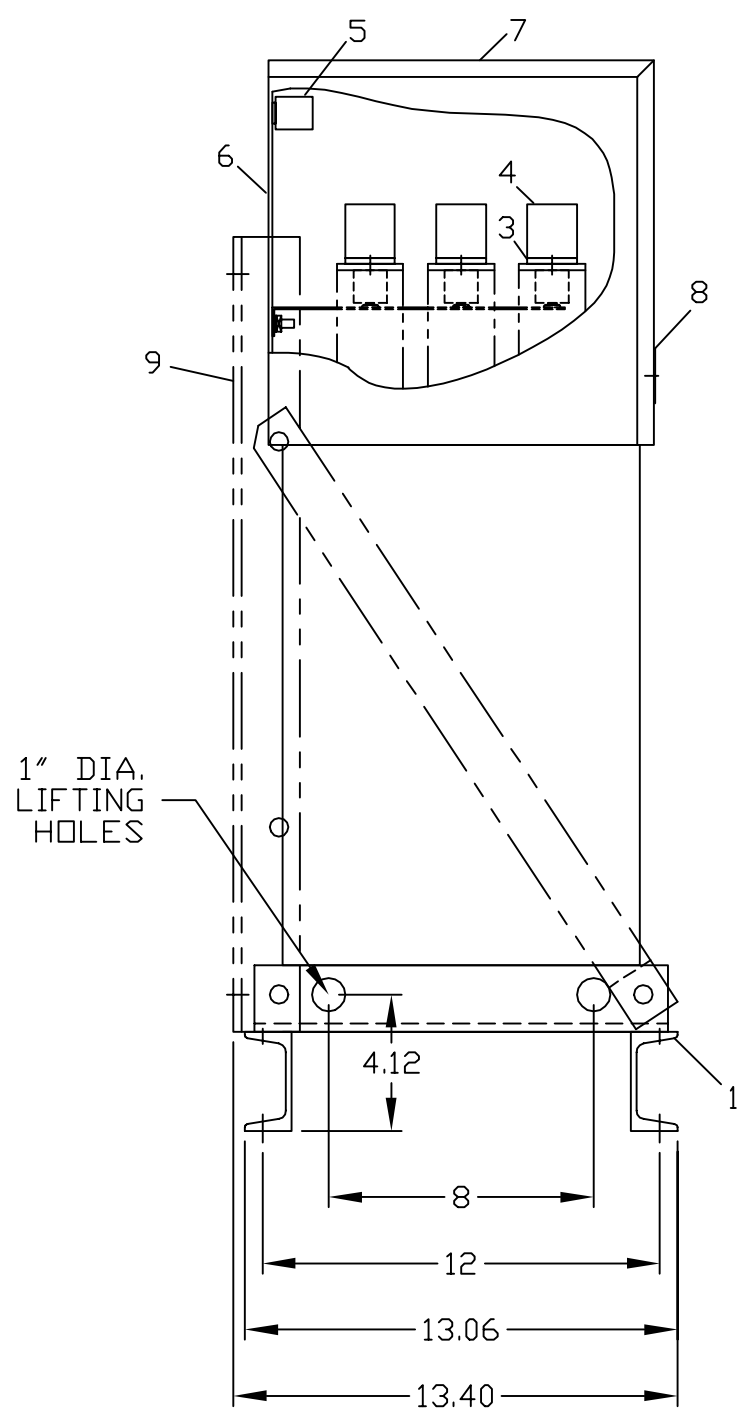
SHT

REV NO.

1

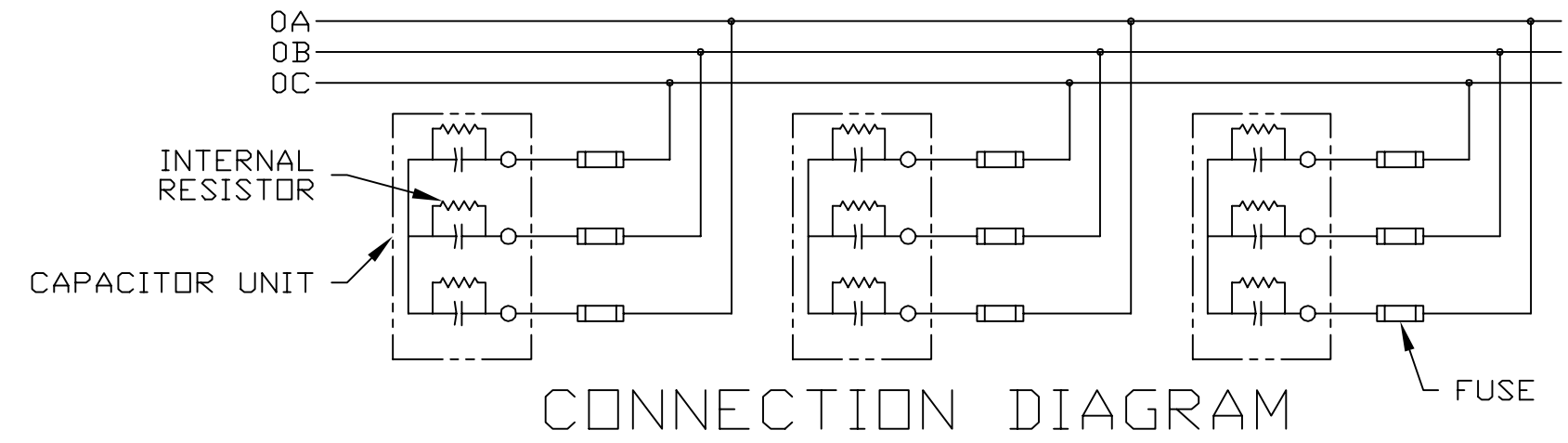
1

REVISIONS			
REV	DESCRIPTION	DATE	APPROVED
1	UPDATE TO AUTOCAD		KS



NOMENCLATURE

- 1. ALUMINUM BASE FRAME
- 2. CAPACITOR UNIT
- 3. COPPER BUS BARS
- 4. LINE TERMINAL - #4/0 TO 600 MCM
- 5. GROUND TERMINAL - #6AWG TO 250 MCM
- 6. BUS ENCLOSURE
- 7. ACCESS COVER
- 8. RATING NAMEPLATE
- 9. OPTIONAL FIELD ASSEMBLED WALL MTG. FRAME



CONNECTION DIAGRAM

CAT 65L918TH2 SERNO  
 KVAR 140 60Hz 3ph  
 VOLT 600 DIAG 186C3233FC  
 CONN Y-CONN  
 Read instructions: GEH-2728

SIGNATURES		DATE	
DRAWN E.McGINN		9/28/92	
CHECKED			
ENGR			
ISSUED		9/30/93	
CAD SYS. NO.		AUTOCAD	



INDUSTRIAL SYSTEMS  
FORT EDWARD, N.Y., U.S.A.

OUTLINE  
65L918TH2

FIRST MADE FOR:

SIZE	FSCM NO.	DWG NO.	REV
C		65L918TH2	1
SCALE	SHEET	CONT ON SHT	

413  
DISTR TO