

4

3

2

C

SIZE DWG NO.

SHT

REV NO.

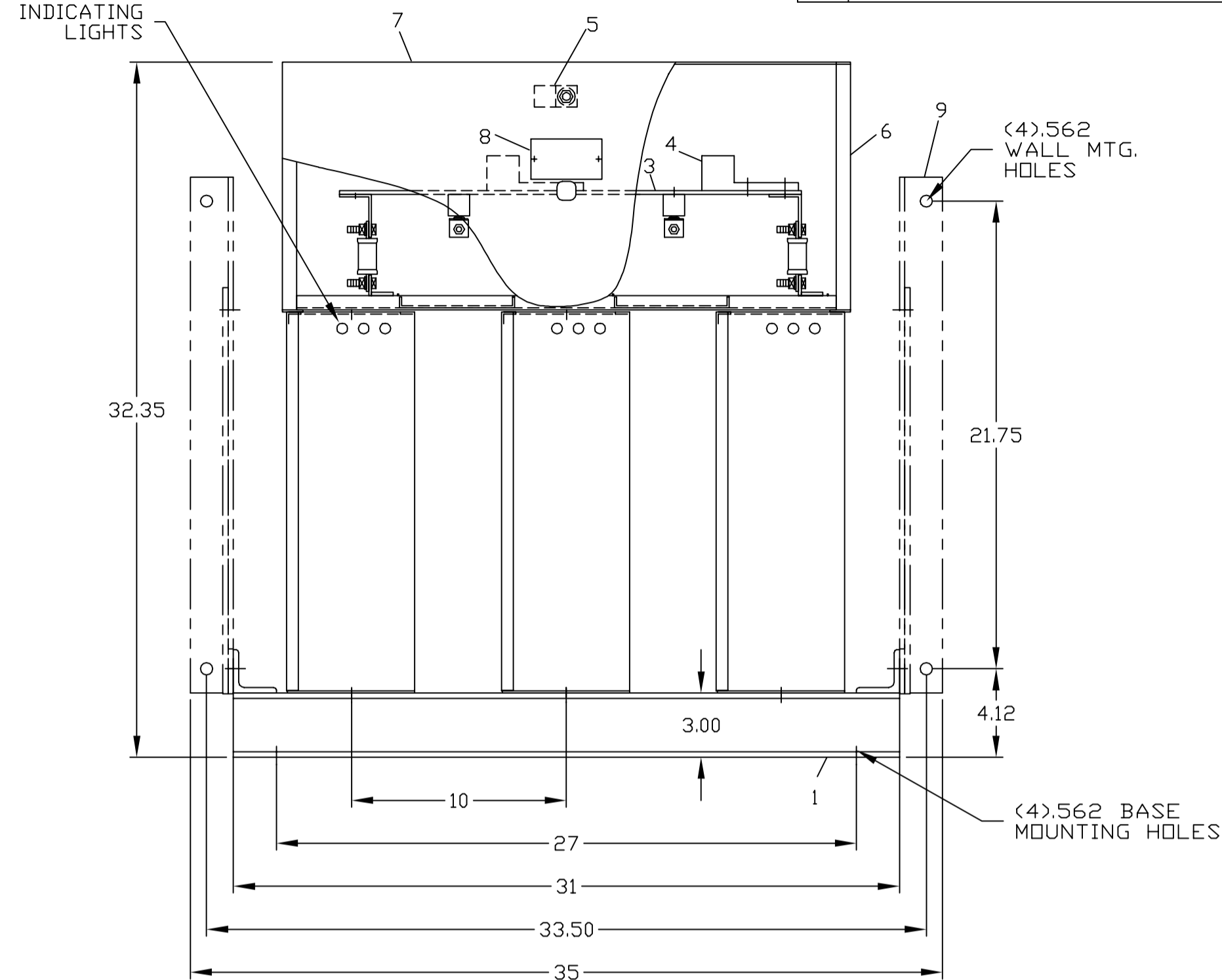
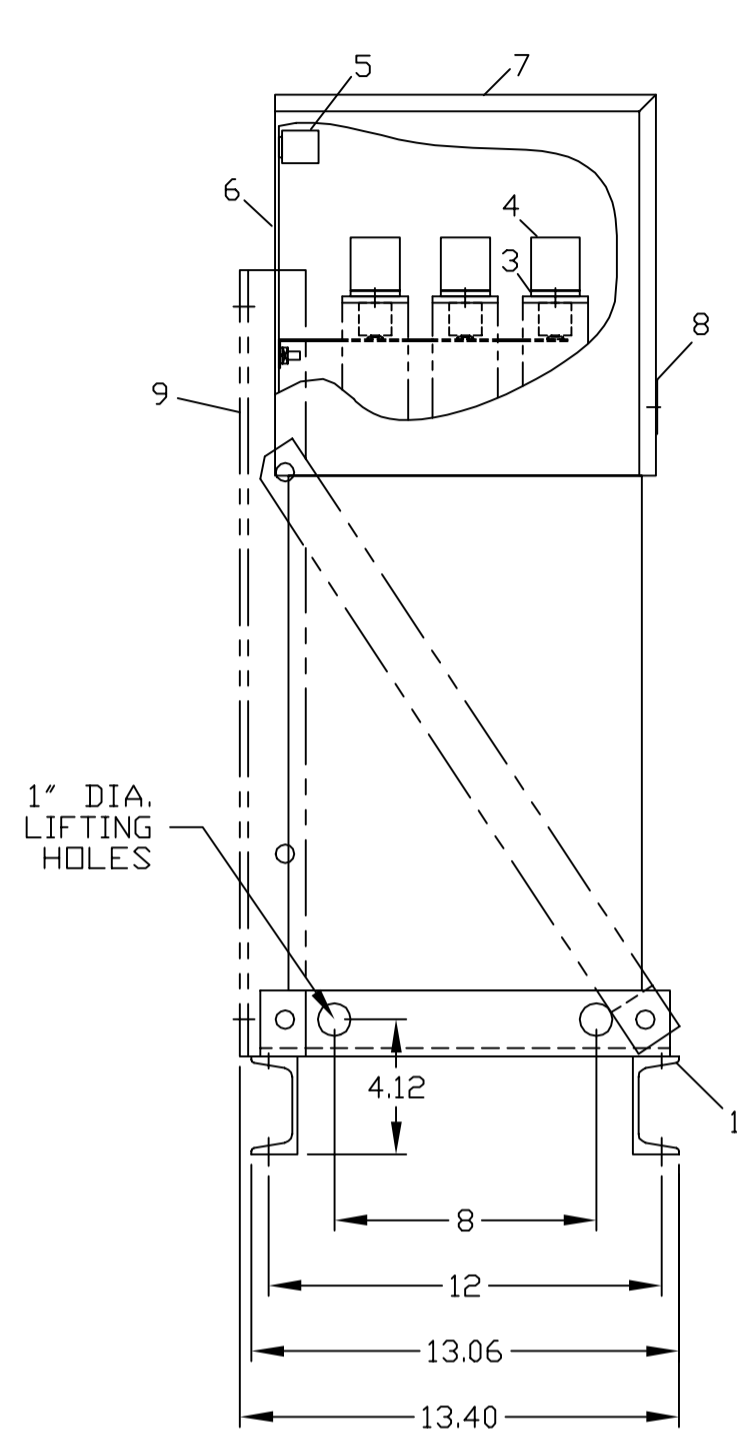
1

1

65L918TK2

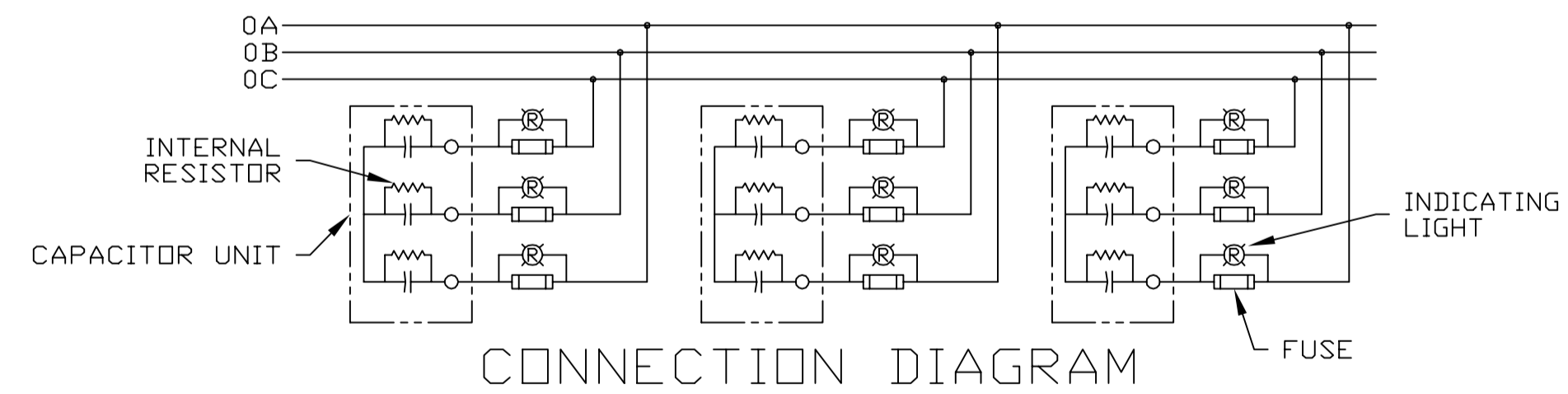
REVISIONS

REV	DESCRIPTION	DATE	APPROVED
1	UPDATE TO AUTOCAD		KS



NOMENCLATURE

- 1. ALUMINUM BASE FRAME
- 2. CAPACITOR UNIT
- 3. COPPER BUS BARS
- 4. LINE TERMINAL - #4/0 TO 600 MCM
- 5. GROUND TERMINAL - #6AWG TO 250 MCM
- 6. BUS ENCLOSURE
- 7. ACCESS COVER
- 8. RATING NAMEPLATE
- 9. OPTIONAL FIELD ASSEMBLED WALL MTG. FRAME



CAT 65L918TK2 SERNO  
 KVAR 140 60Hz 3ph  
 VOLT 600 DIAG 186C3233FA  
 CONN Y-CONN  
 Read instructions: GEH-2728

SIGNATURES	DATE
DRAWN E.McGINN	9/28/92
CHECKED	
ENGR	
ISSUED	9/30/93
CAD SYS. NO.	
AUTOCAD	

**INDUSTRIAL SYSTEMS**  
 FORT EDWARD, N.Y., U.S.A.

OUTLINE  
 65L918TK2

FIRST MADE FOR:

SIZE	FSCM NO.	DWG NO.	REV
C		65L918TK2	1
SCALE		SHEET	CONT ON SHT

413

4

3

2

1