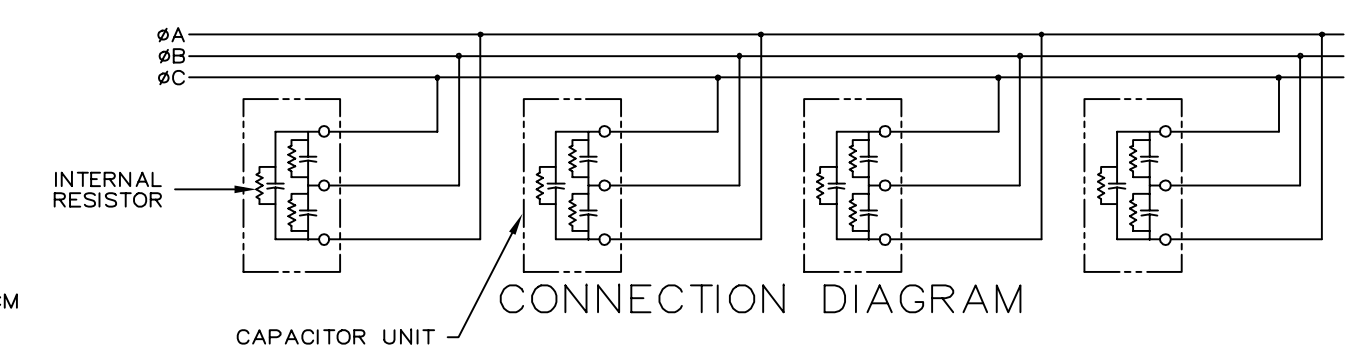
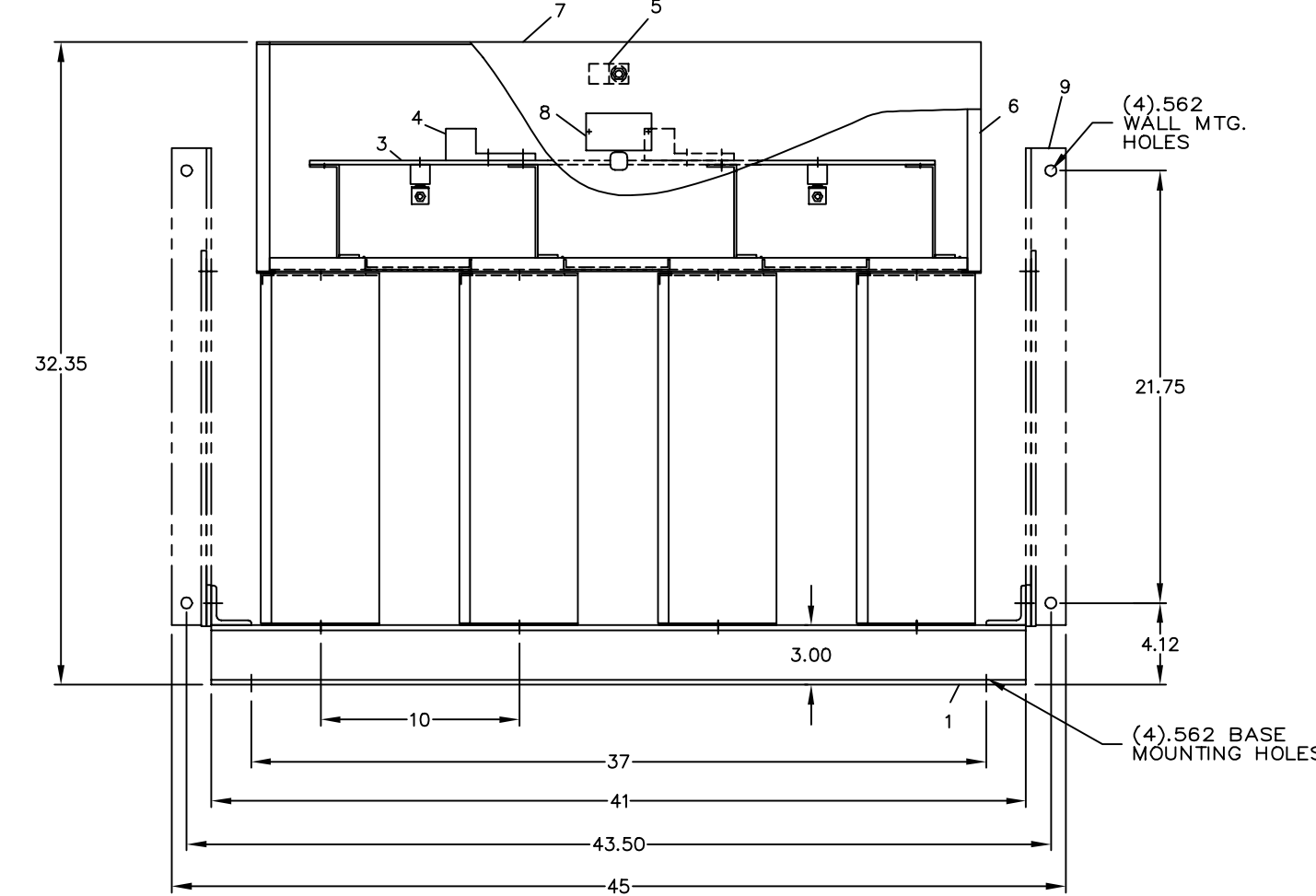
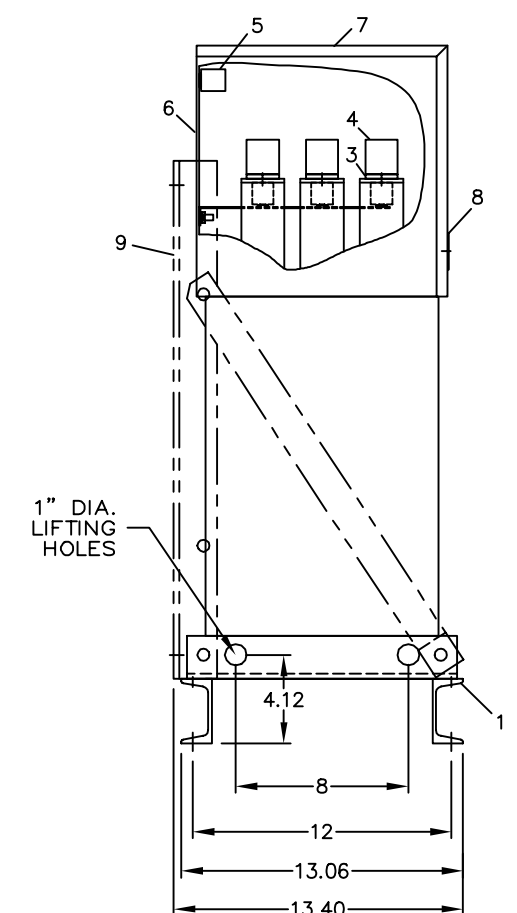


REVISIONS			
REV	DESCRIPTION	DATE	APPROVED
1	UPDATE TO AUTOCAD		FWL



- NOMENCLATURE**
1. ALUMINUM BASE FRAME
 2. CAPACITOR UNIT
 3. COPPER BUS BARS
 4. LINE TERMINAL - #4/0 TO 600 MCM
 5. GROUND TERMINAL - #6AWG TO 250 MCM
 6. BUS ENCLOSURE
 7. ACCESS COVER
 8. RATING NAMEPLATE
 9. OPTIONAL FIELD ASSEMBLED WALL MTG. FRAME

SIGNATURES		DATE		INDUSTRIAL SYSTEMS FORT EDWARD, N.Y., U.S.A.
DRAWN E.McGINN		10/1/92		
CHECKED				
ENGR				
ISSUED		9/30/93		
OUTLINE 65L918TL2				413
FIRST MADE FOR:				
CAD SYS. NO.	SIZE C	FSCM NO.	DWG NO. 65L918TL2	
AUTOCAD	SCALE	SHEET 1	CONT ON SHT -	

CAT 65L918TL2 SERNO
 KVAR 140 60Hz 3ph
 VOLT 240 DIAG 186C3233GM
 CONN DELTA
 Read instructions: GEH-2728