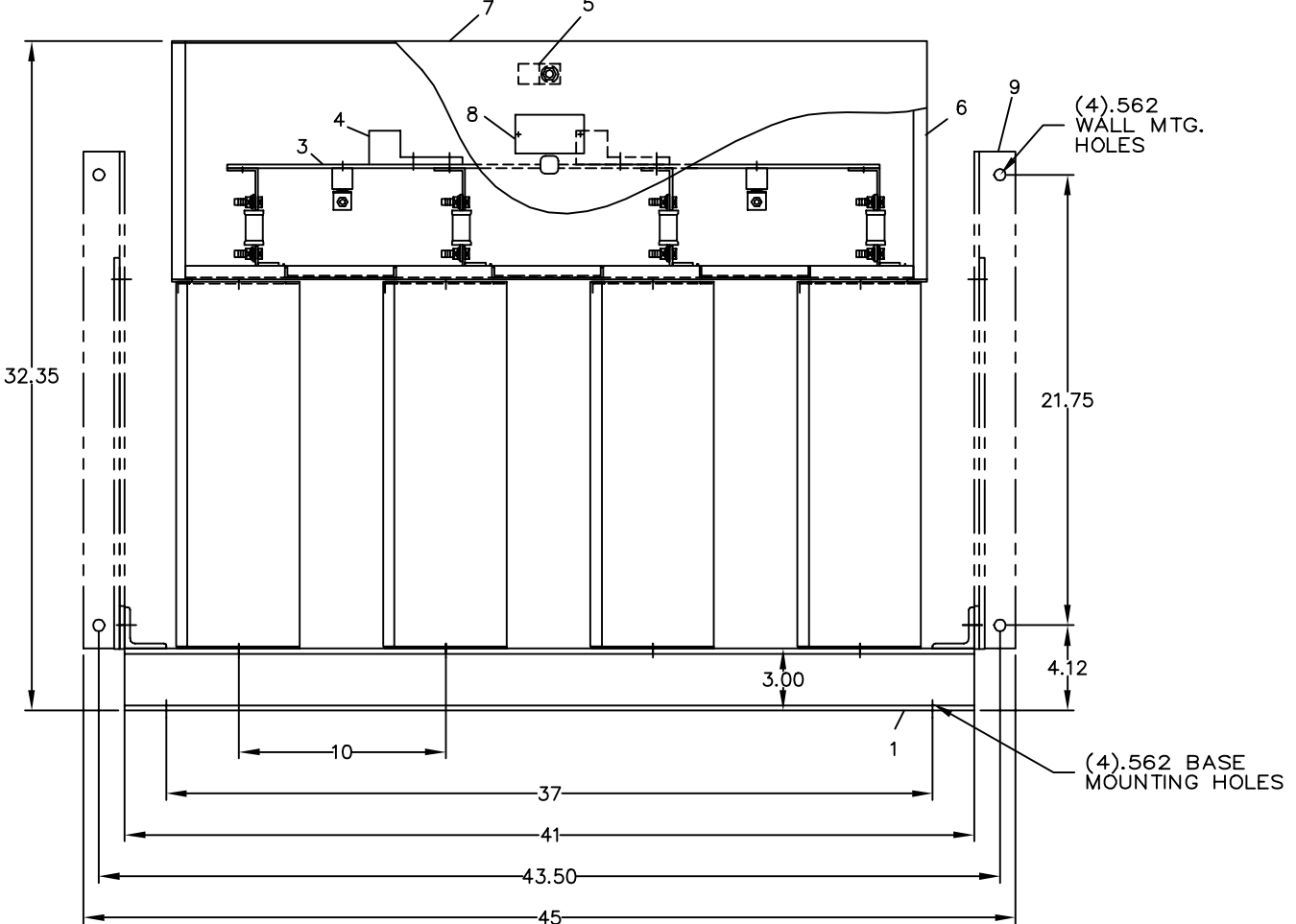
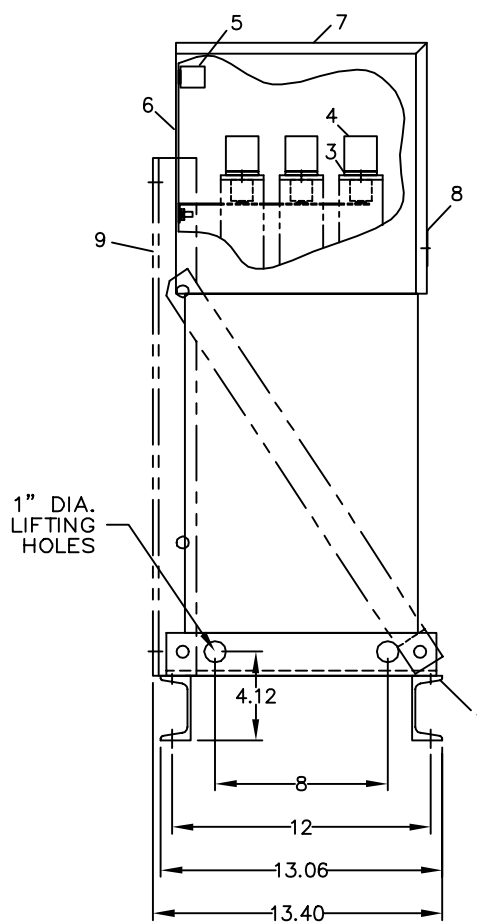
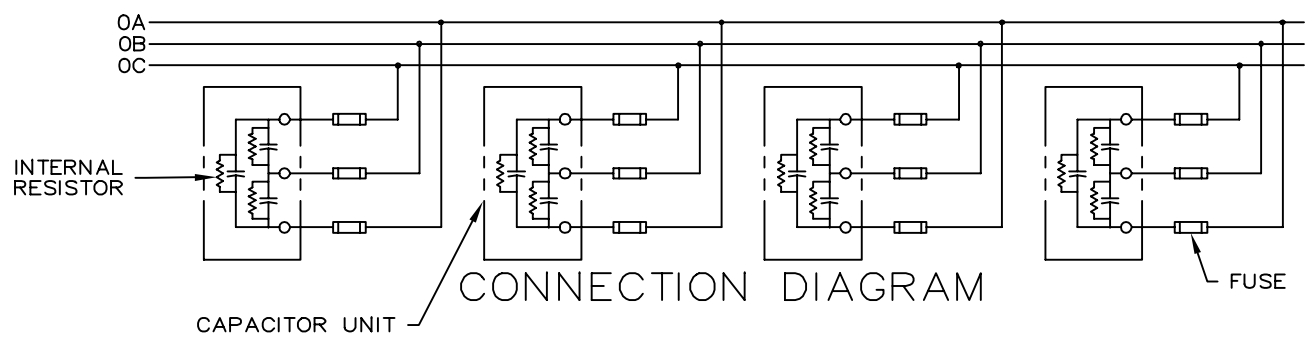


| | | | |
|------|-----------|-----|-----|
| SIZE | DWG NO. | SHT | REV |
| C | 65L918TN2 | 1 | 1 |

| REVISIONS | | | |
|-----------|-------------------|------|----------|
| REV | DESCRIPTION | DATE | APPROVED |
| 1 | UPDATE TO AUTOCAD | | EJM |



- NOMENCLATURE**
1. ALUMINUM BASE FRAME
 2. CAPACITOR UNIT
 3. COPPER BUS BARS
 4. LINE TERMINAL - #4/0 TO 600 MCM
 5. GROUND TERMINAL - #6AWG TO 250 MCM
 6. BUS ENCLOSURE
 7. ACCESS COVER
 8. RATING NAMEPLATE
 9. OPTIONAL FIELD ASSEMBLED WALL MTG. FRAME



| | | | | | | |
|-----------------|--|---------|----------|---|-------------------|--------------|
| SIGNATURES | | DATE | | INDUSTRIAL SYSTEMS FORT EDWARD, N.Y., U.S.A. | | |
| DRAWN E.McGINN | | 9/30/93 | | | | |
| CHECKED | | | | | | |
| ENGR | | | | | | |
| ISSUED | | 9/30/93 | | OUTLINE 65L918TN2 | | |
| FIRST MADE FOR: | | | | | | |
| CAD SYS. NO. | | SIZE C | FSCM NO. | | DWG NO. 65L918TN2 | REV 1 |
| AUTOCAD | | SCALE | | SHEET 1 CONT ON SHT - | | DISTR TO 413 |

CAT 65L918TN2 SERNO
 KVAR 140 60Hz 3ph
 VOLT 240 DIAG 186C3233GD
 CONN DELTA
 Read instructions: GEH-2728