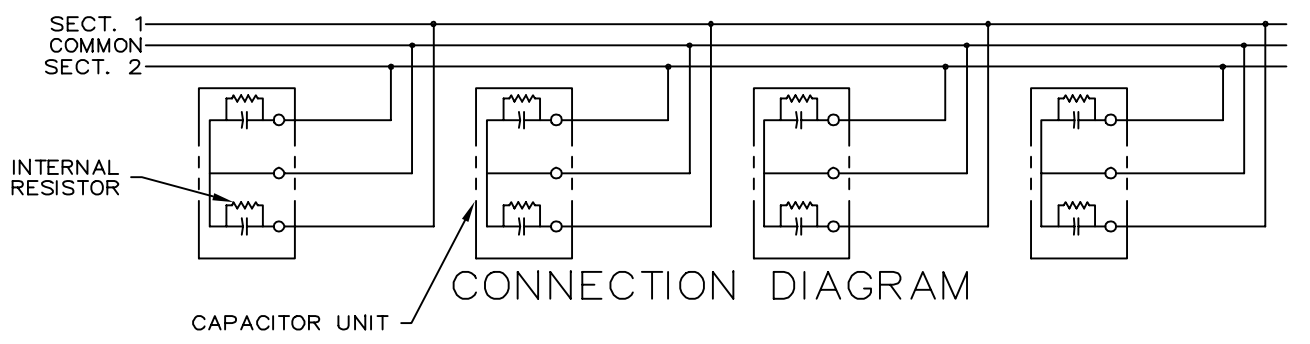
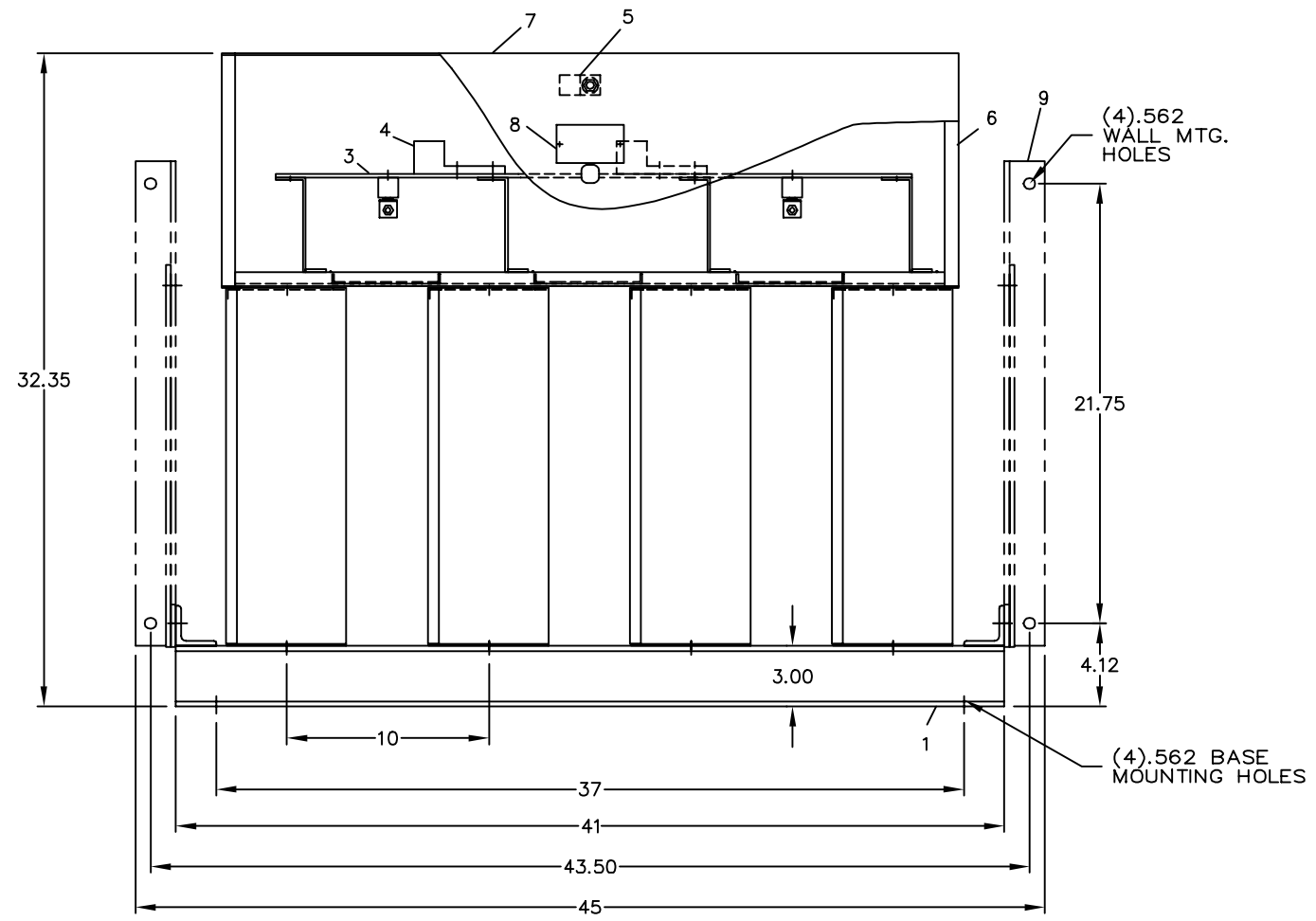
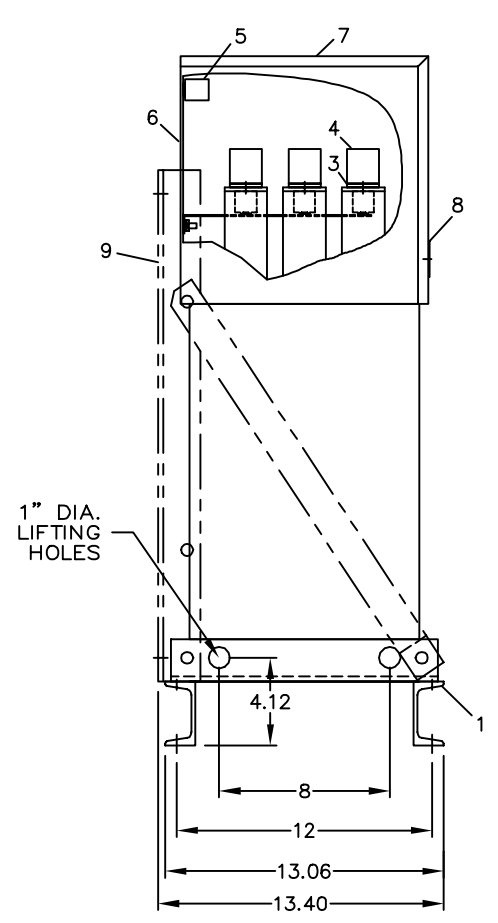


REVISIONS			
REV	DESCRIPTION	DATE	APPROVED
1	UPDATE TO AUTOCAD	11/8/00	FWL



**NOMENCLATURE**

1. ALUMINUM BASE FRAME
2. CAPACITOR UNIT
3. COPPER BUS BARS
4. LINE TERMINAL - #4/0 TO 600 MCM
5. GROUND TERMINAL - #6AWG TO 250 MCM
6. BUS ENCLOSURE
7. ACCESS COVER
8. RATING NAMEPLATE
9. OPTIONAL FIELD ASSEMBLED WALL MTG. FRAME

SIGNATURES		DATE		<b>INDUSTRIAL SYSTEMS</b> FORT EDWARD, N.Y., U.S.A.	
DRAWN E.MCGINN		10/1/92			
CHECKED				OUTLINE <b>65L918TX2</b>	
ENGR					
ISSUED		9/30/93			
CAD SYS. NO.		AUTOCAD		SIZE	C
		FSCM NO.		DWG NO.	65L918TX2
				REV	1
				SCALE	SHEET 1
				CONT ON SHIT -	

CAT 65L918TX2 SERNO  
 KVAR 140 60Hz 1ph  
 VOLT 240 DIAG 186C3233GN  
 CONN COM CTR  
 Read instructions: GEH-2728

413