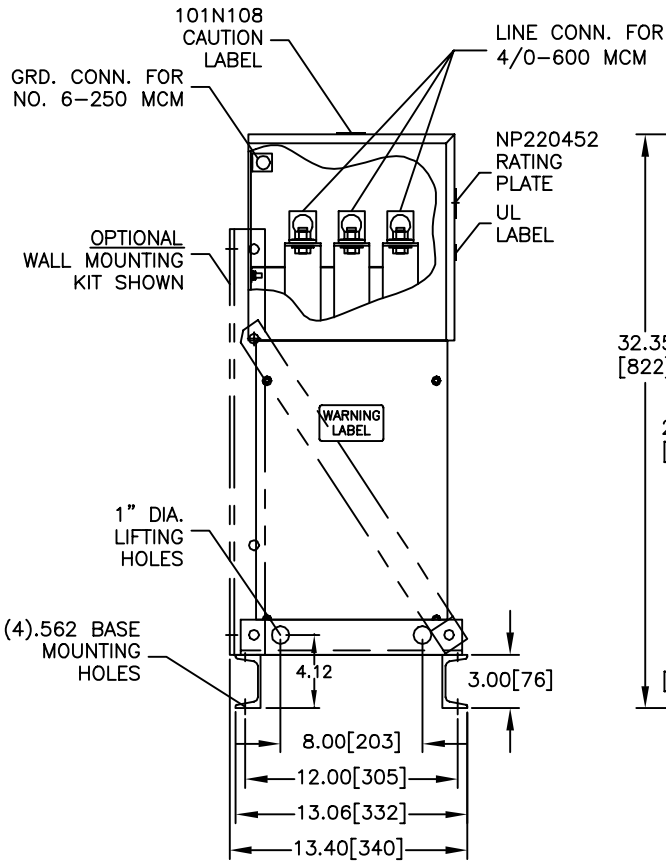
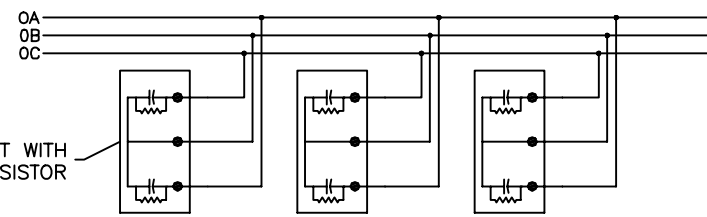
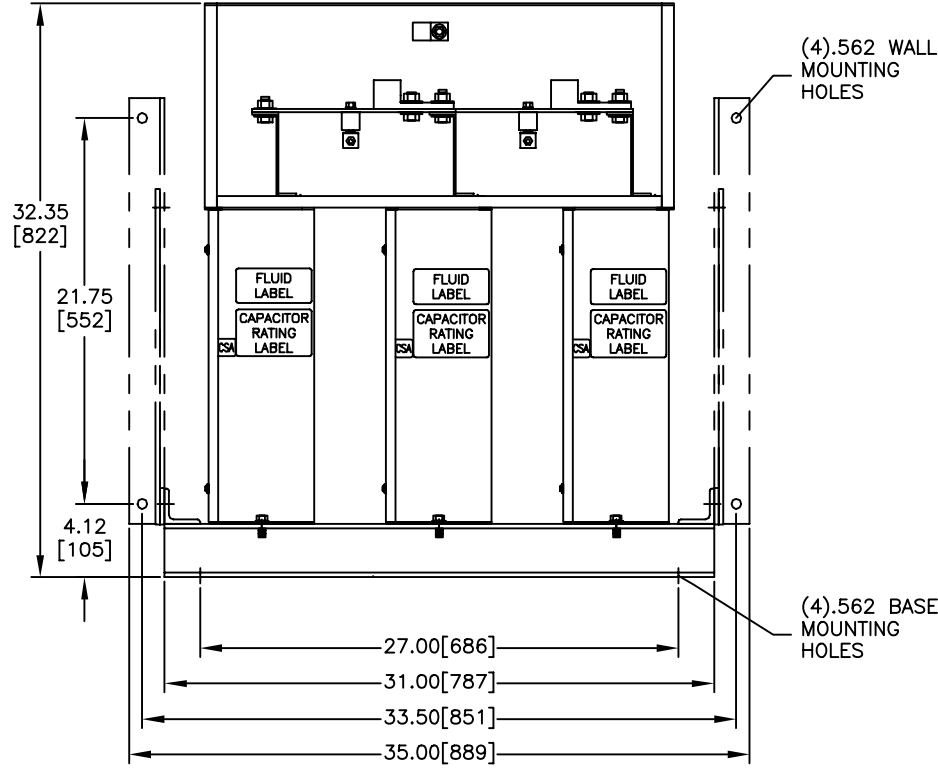


SIZE A	DWG NO 65L918TX3	SHT 2	REV
REV	DESCRIPTION	DATE	APPROVED



FRONT VIEW  
SHOWN WITH TOP/FRONT COVER REMOVED



CONNECTION DIAGRAM

## CAPACITOR

CAT. 65L918TX3      SER.NO.

kVAR 140      60 Hz      1 Ph

VOLT. 240      CONN. COM CTR

DIAG. 186C3233FN

**CAUTION** BEFORE INSTALLING OR OPERATING READ INST. 2738

CAPACITOR UNITS CONTAIN CLASS III B COMBUSTIBLE LIQUID.  
CAPACITOR UNITS INCLUDE INTERNAL DISCHARGE RESISTORS.  
NP220452      FORT EDWARD, N.Y.      MADE IN U.S.A.

<b>INDUSTRIAL SYSTEMS</b> FORT EDWARD, N.Y., U.S.A.	SIZE <b>A</b>	EST. WEIGHT: 148	<h1 style="margin: 0;">OUTLINE</h1> <h1 style="margin: 0;">65L918TX3</h1>
	DRAWN    B.Ross      DATE    8/8/2003	SCALE	
ISSUED	DATE    8/13/2003	SHEET    2	CONT ON    -

DISTR. TO