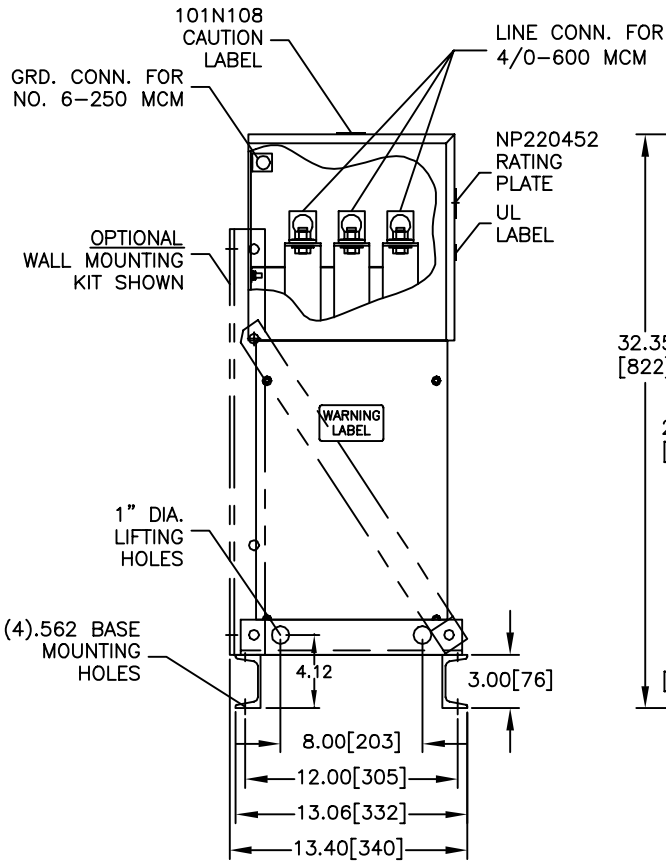
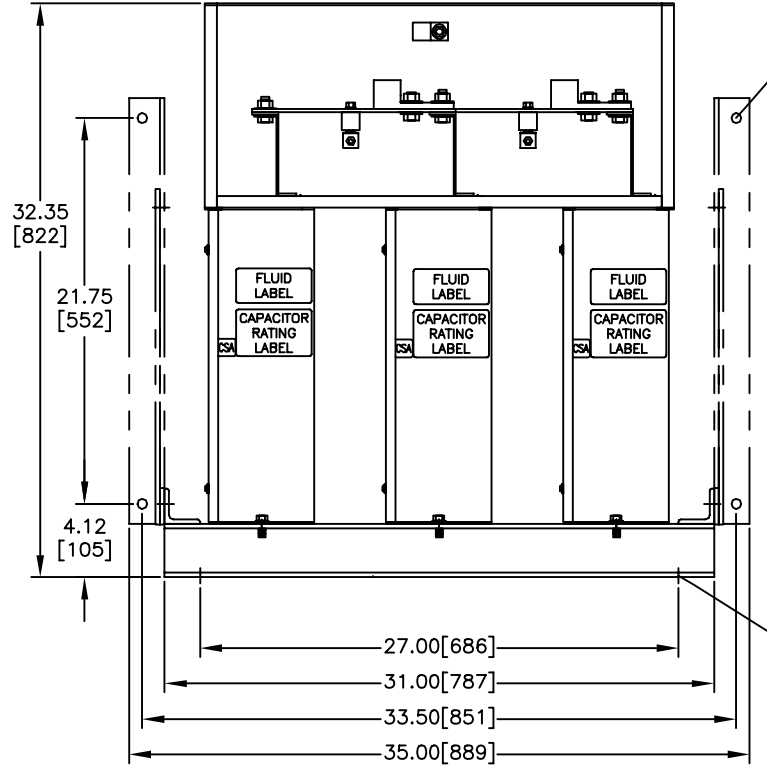


SIZE A	DWG NO 65L919TL3	SHT 2	REV
REV	DESCRIPTION	DATE	APPROVED



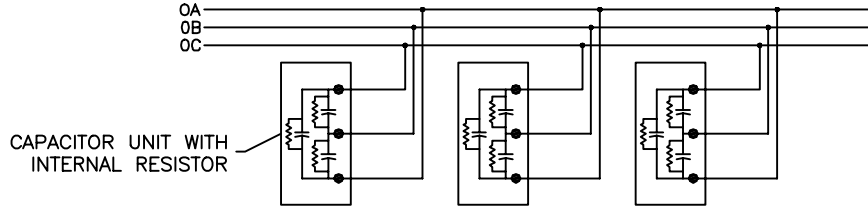
FRONT VIEW  
SHOWN WITH TOP/FRONT COVER REMOVED



## CAPACITOR

CAT. 65L919TL3      SER.NO.  
kVAR 150      60 Hz      3 Ph  
VOLT. 240      CONN. DELTA  
DIAG. 186C3233FM

**CAUTION** BEFORE INSTALLING OR OPERATING READ INST. 2738  
CAPACITOR UNITS CONTAIN CLASS III B COMBUSTIBLE LIQUID.  
CAPACITOR UNITS INCLUDE INTERNAL DISCHARGE RESISTORS.  
NP220452      FORT EDWARD, N.Y.      MADE IN U.S.A.



CONNECTION DIAGRAM

<b>INDUSTRIAL SYSTEMS</b> <b>FORT EDWARD, N.Y., U.S.A.</b>	SIZE <b>A</b>	EST. WEIGHT: 151	<h1 style="margin: 0;">OUTLINE</h1> <h2 style="margin: 0;">65L919TL3</h2>
	SCALE	GALLONS LIQUID: 1.17	
DRAWN A.COZZENS	DATE 7/11/2003	SHEET 2 CONT ON -	
ISSUED	DATE 7/16/2003		

DISTR. TO