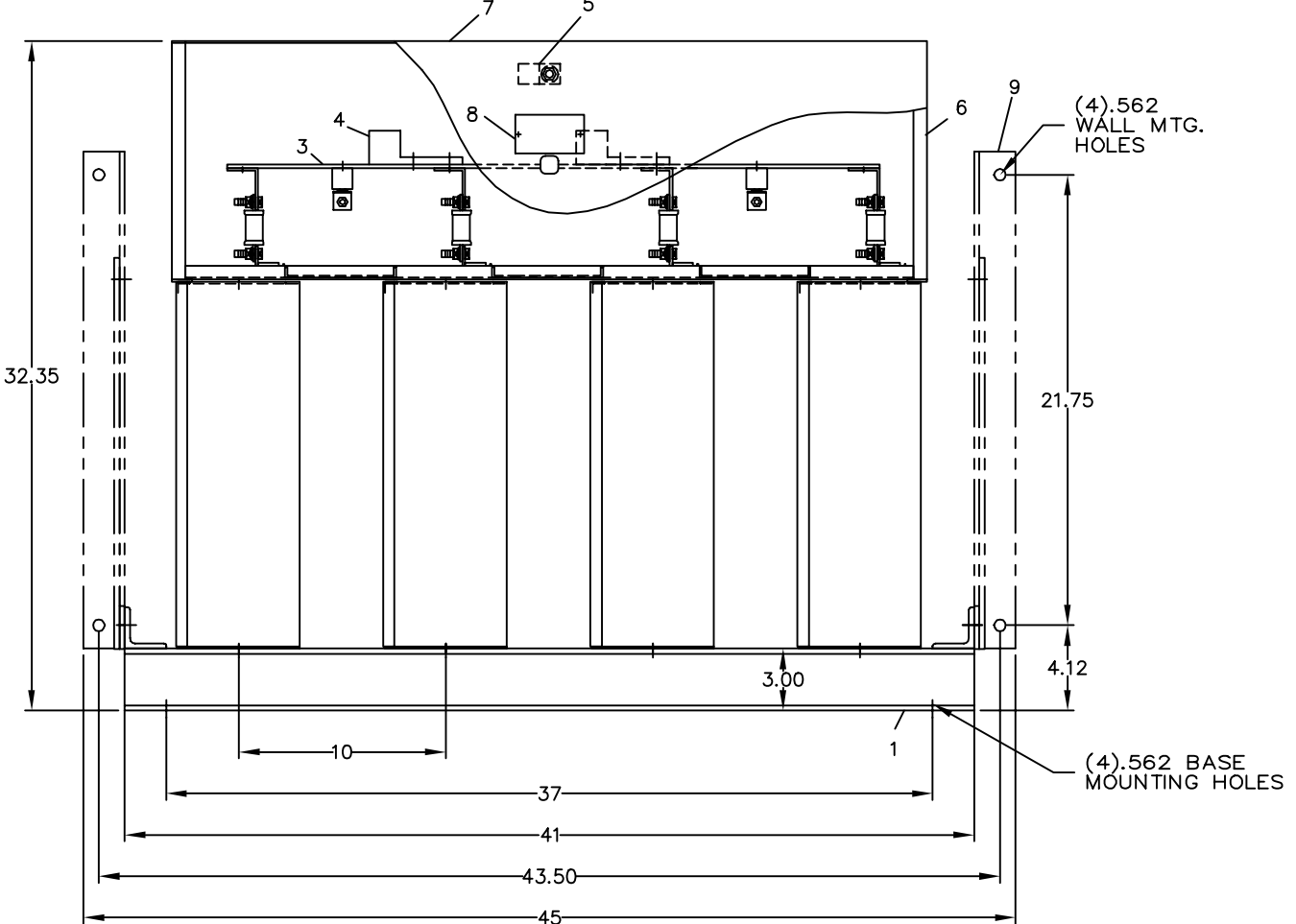
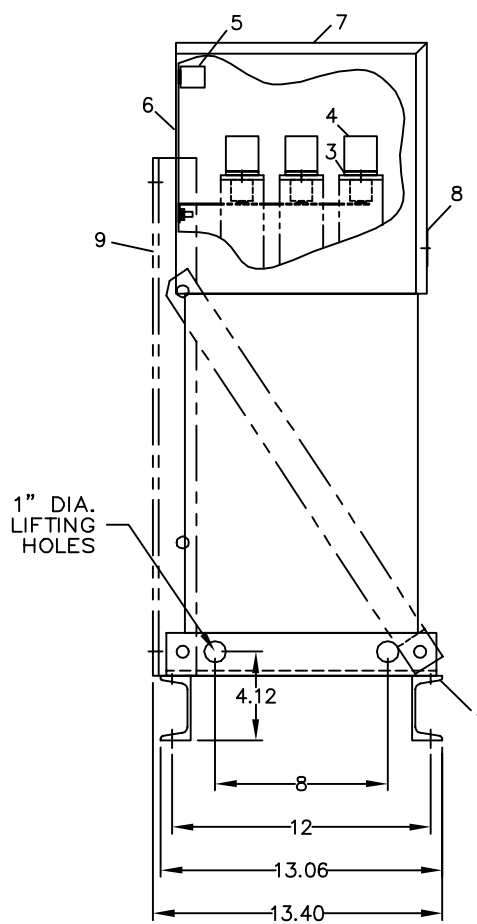
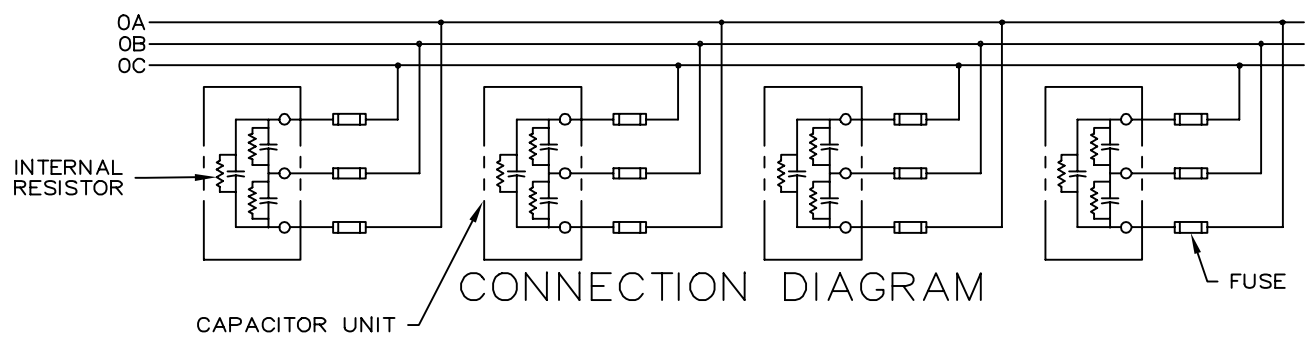


SIZE	DWG NO.	SHT	REV
C	65L919TN2	1	1

REVISIONS			
REV	DESCRIPTION	DATE	APPROVED
1	UPDATE TO AUTOCAD		EJM



- NOMENCLATURE**
1. ALUMINUM BASE FRAME
 2. CAPACITOR UNIT
 3. COPPER BUS BARS
 4. LINE TERMINAL - #4/0 TO 600 MCM
 5. GROUND TERMINAL - #6AWG TO 250 MCM
 6. BUS ENCLOSURE
 7. ACCESS COVER
 8. RATING NAMEPLATE
 9. OPTIONAL FIELD ASSEMBLED WALL MTG. FRAME



SIGNATURES		DATE		 INDUSTRIAL SYSTEMS FORT EDWARD, N.Y., U.S.A.		
DRAWN E.McGINN		9/30/93				
CHECKED						
ENGR						
ISSUED		9/30/93		OUTLINE 65L919TN2		
FIRST MADE FOR:						
CAD SYS. NO.		SIZE C	FSCM NO.		DWG NO. 65L919TN2	REV 1
AUTOCAD		SCALE		SHEET 1 CONT ON SHT -		DISTR TO 413

CAT 65L919TN2 SERNO
 KVAR 150 60Hz 3ph
 VOLT 240 DIAG 186C3233GD
 CONN DELTA
 Read instructions: GEH-2728