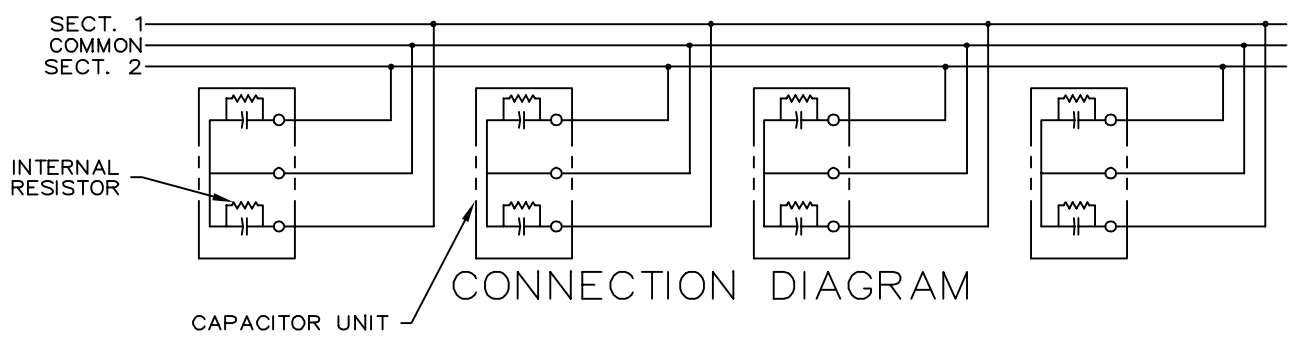
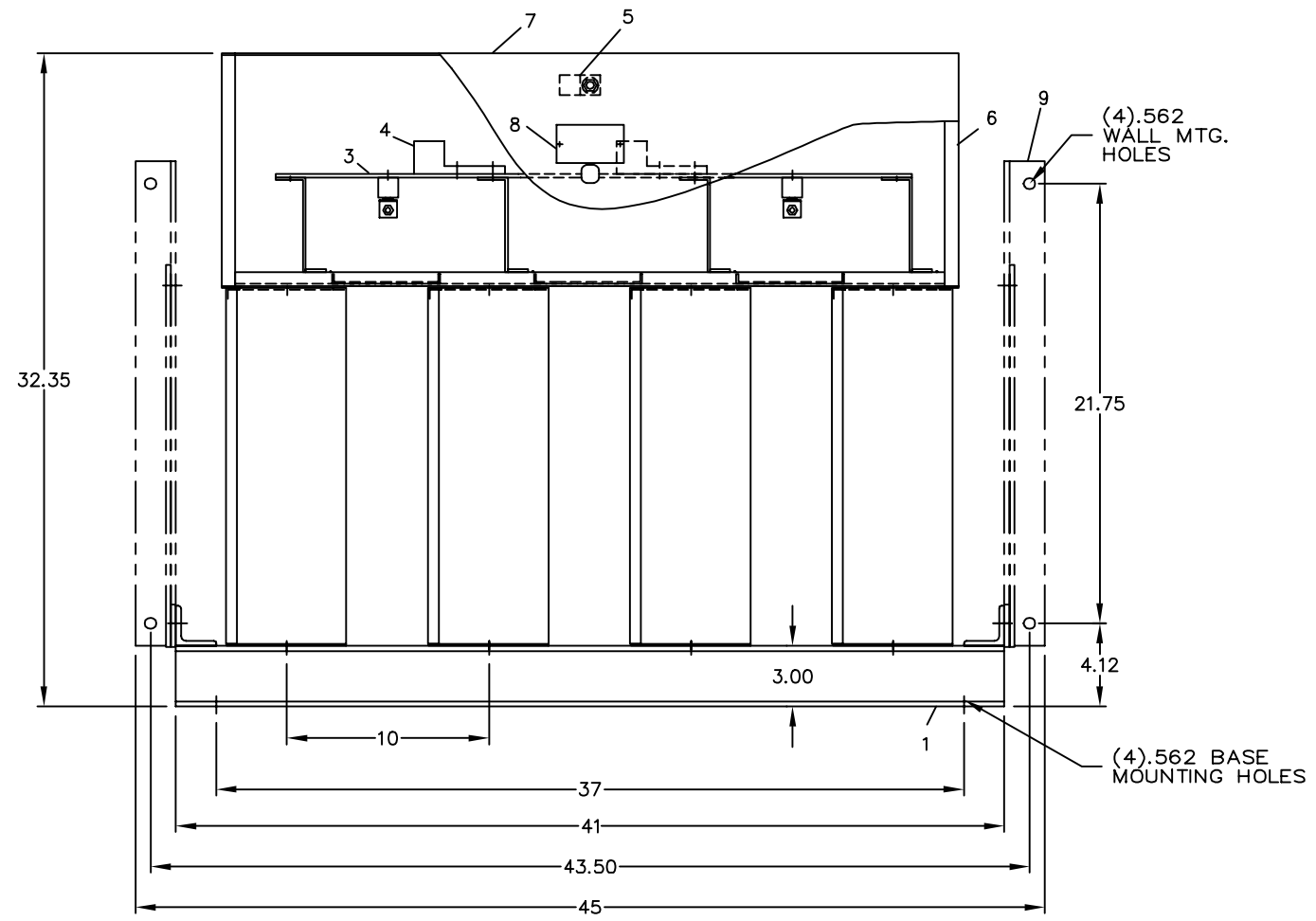
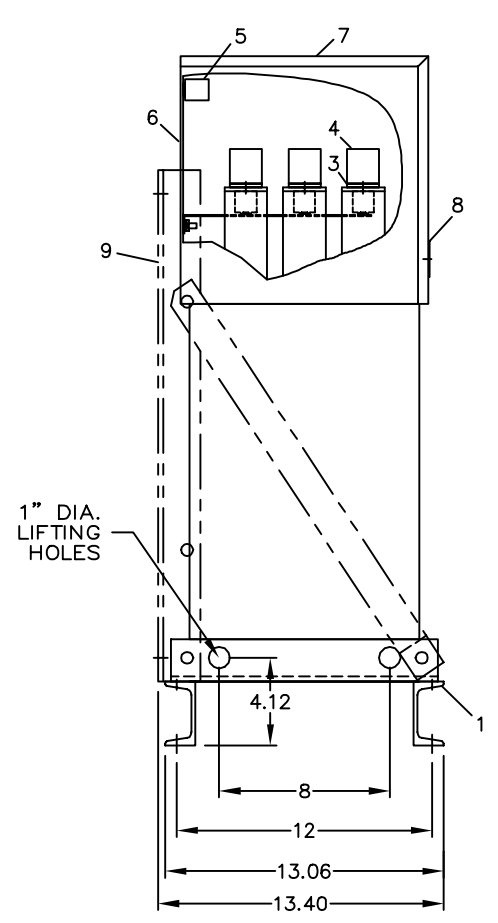


REVISIONS			
REV	DESCRIPTION	DATE	APPROVED
1	UPDATE TO AUTOCAD	11/8/00	FWL



- NOMENCLATURE**
1. ALUMINUM BASE FRAME
 2. CAPACITOR UNIT
 3. COPPER BUS BARS
 4. LINE TERMINAL - #4/0 TO 600 MCM
 5. GROUND TERMINAL - #6AWG TO 250 MCM
 6. BUS ENCLOSURE
 7. ACCESS COVER
 8. RATING NAMEPLATE
 9. OPTIONAL FIELD ASSEMBLED WALL MTG. FRAME

SIGNATURES		DATE		INDUSTRIAL SYSTEMS FORT EDWARD, N.Y., U.S.A.			
DRAWN E.MCGINN		10/1/92					
CHECKED				OUTLINE 65L919TX2			
ENGR							
ISSUED		9/30/93					
CAD SYS. NO.				FIRST MADE FOR:		413	
AUTOCAD		SIZE C	FSCM NO.	DWG NO. 65L919TX2	REV 1	DISTR TO	
		SCALE	SHEET 1		CONT ON SHIT		

CAT 65L919TX2 SERNO
 KVAR 150 60Hz 1ph
 VOLT 240 DIAG 186C3233GN
 CONN COM CTR
 Read instructions: GEH-2728