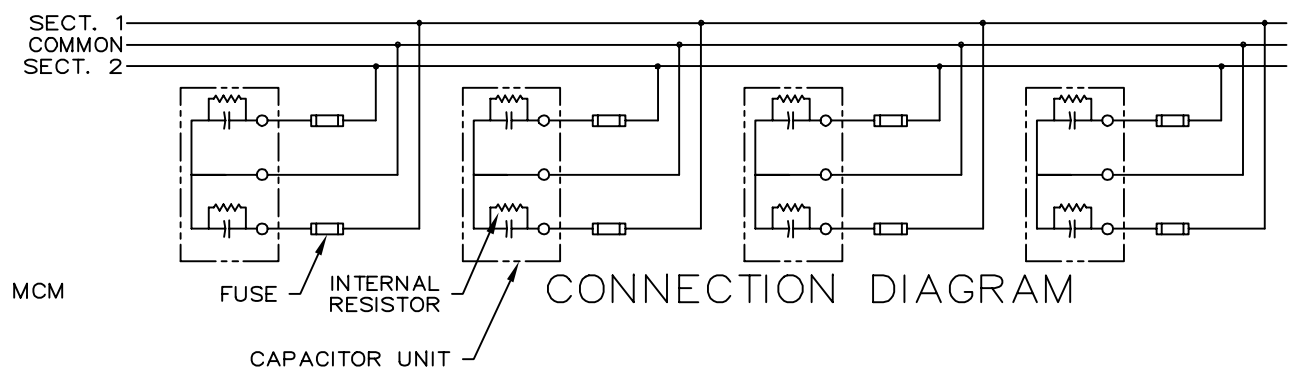
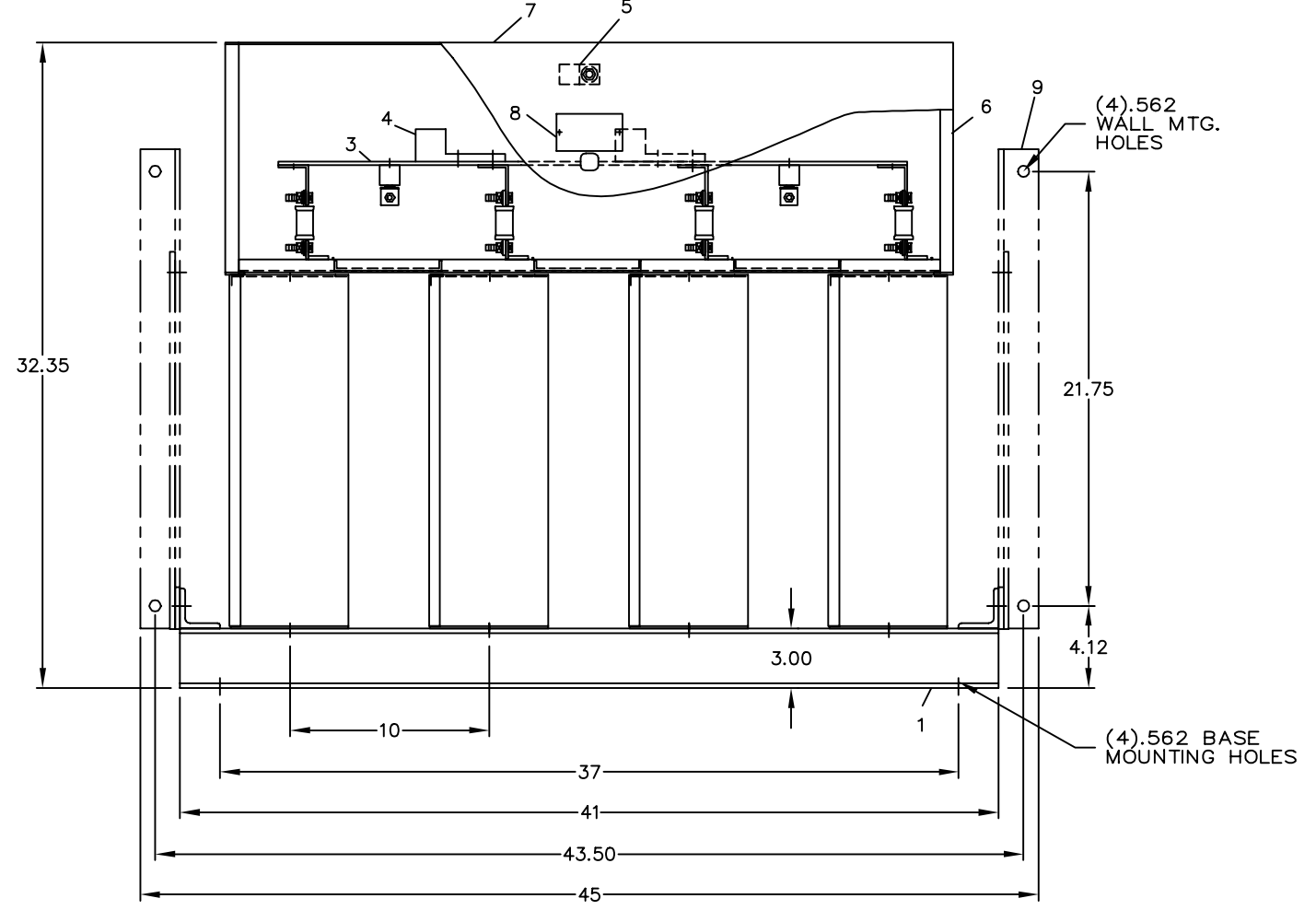
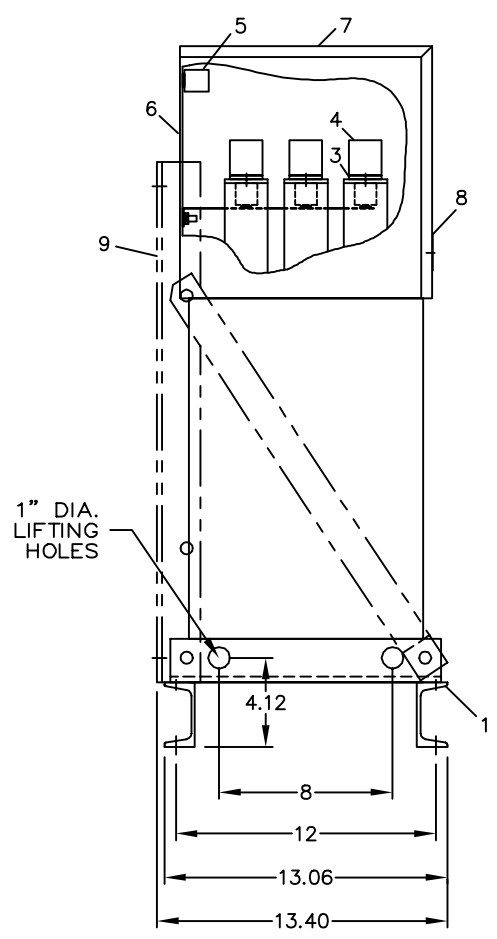


SIZE	DWG. NO.	SHT	REV
C	65L919TY2	1	1

REVISIONS			
REV	DESCRIPTION	DATE	APPROVED
1	UPDATE TO AUTOCAD		FWL



- NOMENCLATURE**
1. ALUMINUM BASE FRAME
  2. CAPACITOR UNIT
  3. COPPER BUS BARS
  4. LINE TERMINAL - #4/0 TO 600 MCM
  5. GROUND TERMINAL - #6AWG TO 250 MCM
  6. BUS ENCLOSURE
  7. ACCESS COVER
  8. RATING NAMEPLATE
  9. OPTIONAL FIELD ASSEMBLED WALL MTG. FRAME

SIGNATURES		DATE		<b>INDUSTRIAL SYSTEMS</b> FORT EDWARD, N.Y., U.S.A.			
DRAWN E.McGINN		9/30/00					
CHECKED				OUTLINE 65L919TY2 FIRST MADE FOR:			
ENGR							
ISSUED		9/30/00					
CAD SYS. NO.		SIZE	FSCM NO.	DWG. NO.	REV	DISTR TO	
AUTOCAD		C		65L919TY2	1		
		SCALE	SHEET 1		CONT ON SHT		

CAT 65L919TY2 SERNO  
 KVAR 150 60Hz 1ph  
 VOLT 240 DIAG 186C3233GK  
 CONN COM CTR  
 Read instructions: GEH-2728

413