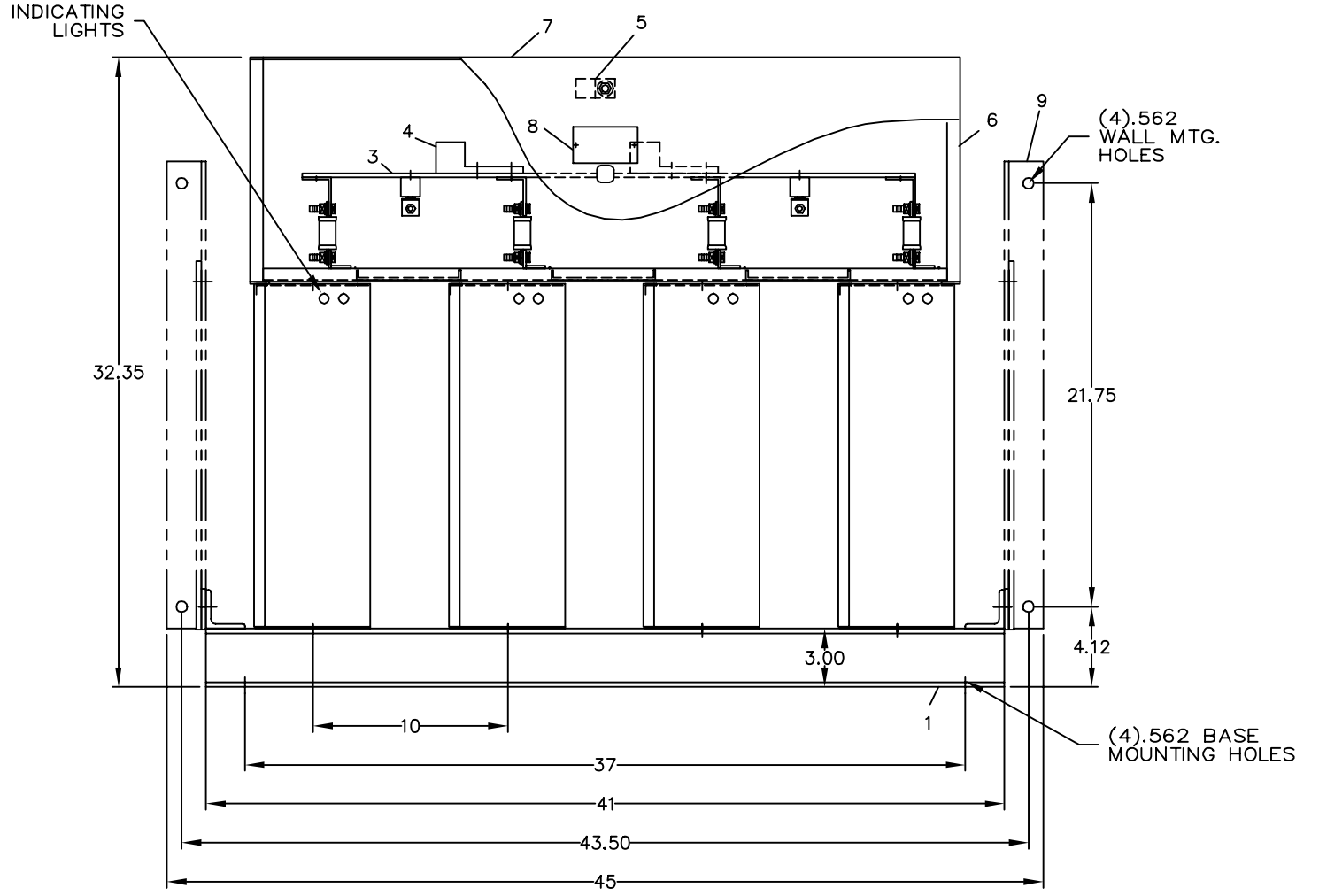
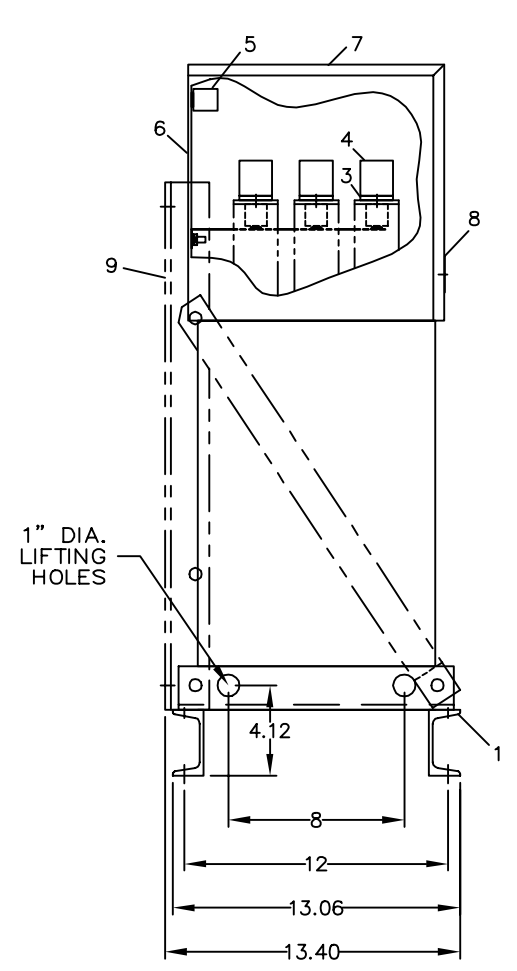
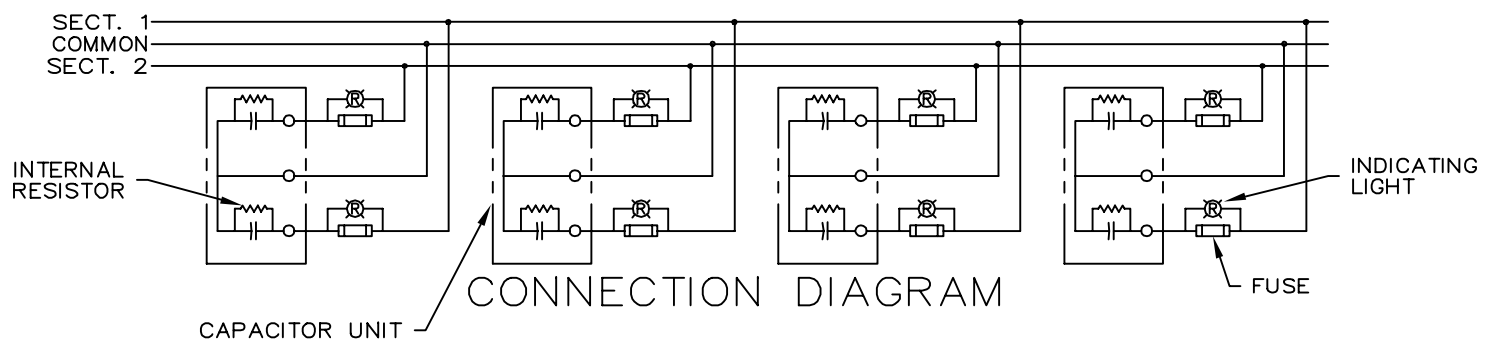


REVISIONS			
REV	DESCRIPTION	DATE	APPROVED
1	UPDATE TO AUTOCAD		EJM



- NOMENCLATURE**
1. ALUMINUM BASE FRAME
 2. CAPACITOR UNIT
 3. COPPER BUS BARS
 4. LINE TERMINAL - #4/0 TO 600 MCM
 5. GROUND TERMINAL - #6AWG TO 250 MCM
 6. BUS ENCLOSURE
 7. ACCESS COVER
 8. RATING NAMEPLATE
 9. OPTIONAL FIELD ASSEMBLED WALL MTG. FRAME



SIGNATURES		DATE	INDUSTRIAL SYSTEMS FORT EDWARD, N.Y., U.S.A.	OUTLINE 65L919TZ2	413 DISTR TO
DRAWN E.MCGINN		9-30-93			
CHECKED					
ENGR					
ISSUED		9-30-93			
FIRST MADE FOR:					
CAD SYS. NO.		SIZE C	FSCM NO.	DWG NO. 65L919TZ2	REV 1
AUTOCAD		SCALE		SHEET 1	CONT ON SHT -

CAT 65L919TZ2 SERNO
 KVAR 150 60Hz 1ph
 VOLT 240 DIAG 186C3233GG
 CONN CDM CTR
 Read instructions: GEH-2728