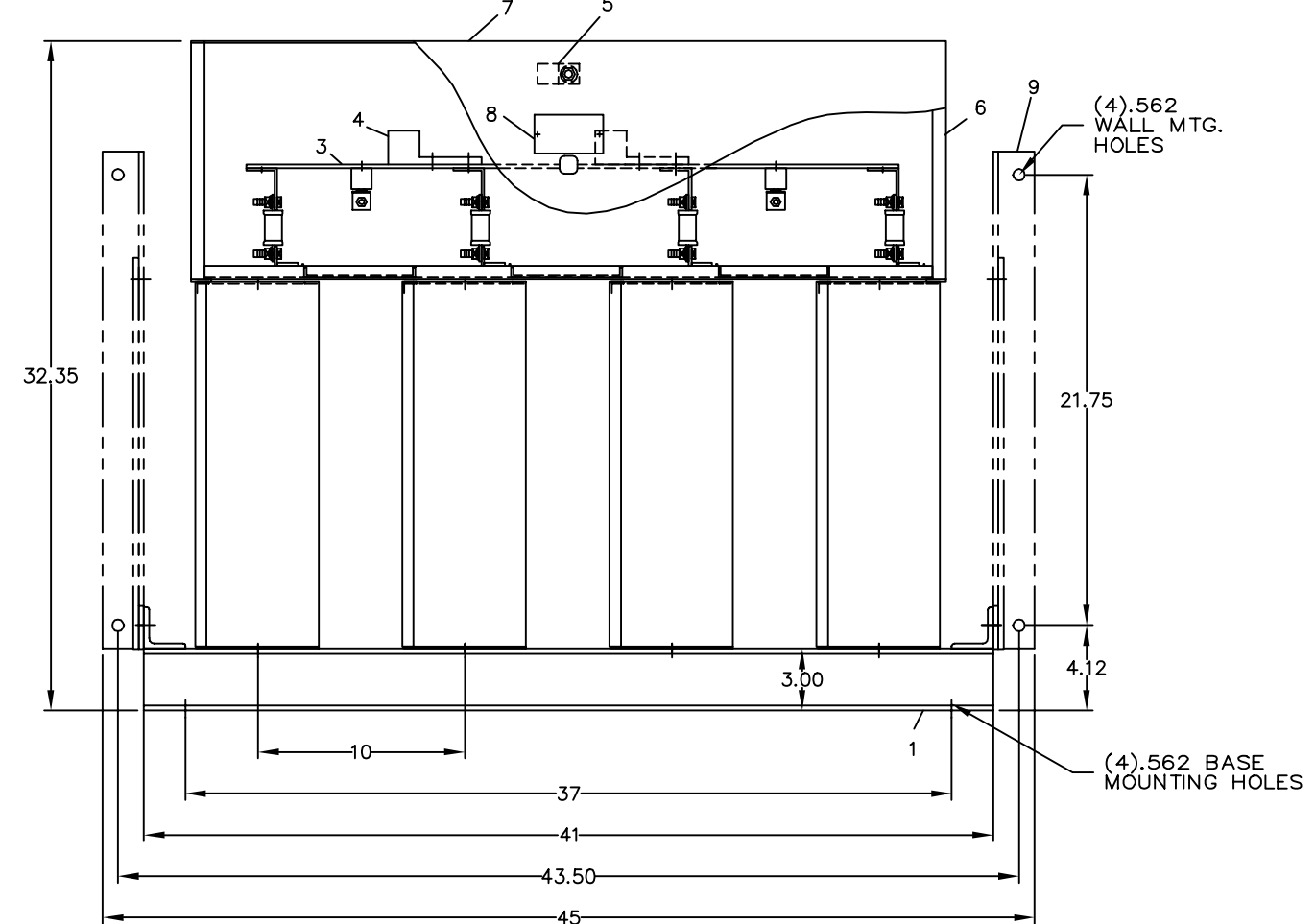
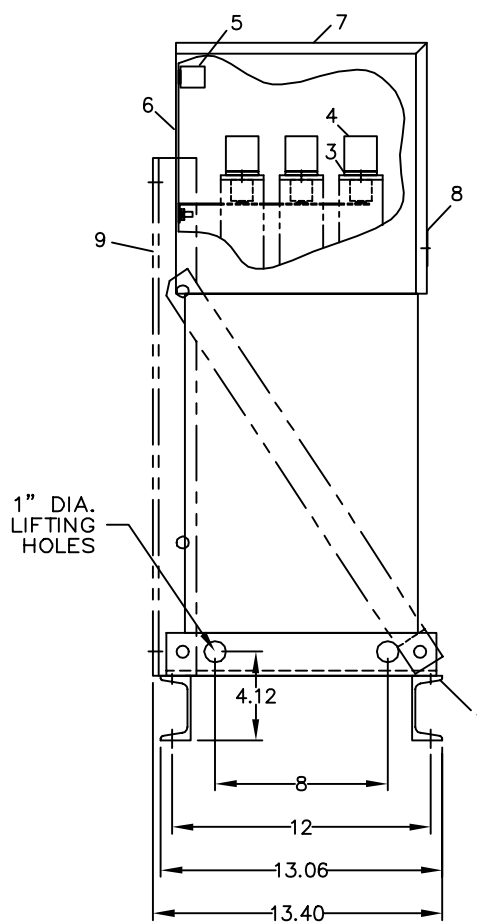


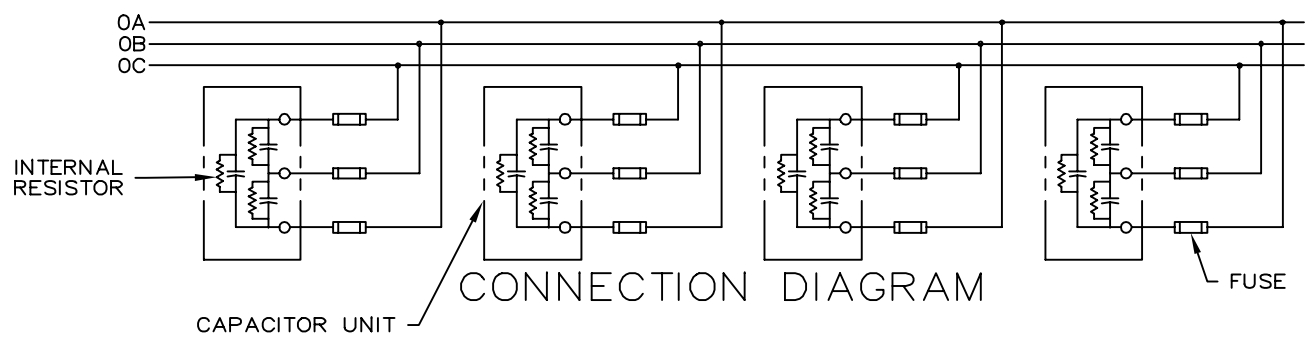
SIZE	DWG NO.	SHT	REV
C	65L920TN2	1	1

REVISIONS			
REV	DESCRIPTION	DATE	APPROVED
1	UPDATE TO AUTOCAD		EJM



- NOMENCLATURE**
1. ALUMINUM BASE FRAME
  2. CAPACITOR UNIT
  3. COPPER BUS BARS
  4. LINE TERMINAL - #4/0 TO 600 MCM
  5. GROUND TERMINAL - #6AWG TO 250 MCM
  6. BUS ENCLOSURE
  7. ACCESS COVER
  8. RATING NAMEPLATE
  9. OPTIONAL FIELD ASSEMBLED WALL MTG. FRAME



SIGNATURES		DATE	<b>INDUSTRIAL SYSTEMS</b> FORT EDWARD, N.Y., U.S.A.
DRAWN E.McGINN		9/30/93	
CHECKED			
ENGR			
ISSUED		9/30/93	OUTLINE <b>65L920TN2</b>
AUTOCAD			FIRST MADE FOR:
CAD SYS. NO.	SIZE C	FSCM NO.	DWG NO. 65L920TN2
	SCALE		REV 1
		SHEET 1	CONT ON SHT -

CAT 65L920TN2 SERNO  
 KVAR 160 60Hz 3ph  
 VOLT 240 DIAG 186C3233GD  
 CONN DELTA  
 Read instructions: GEH-2728

413  
DISTR TO