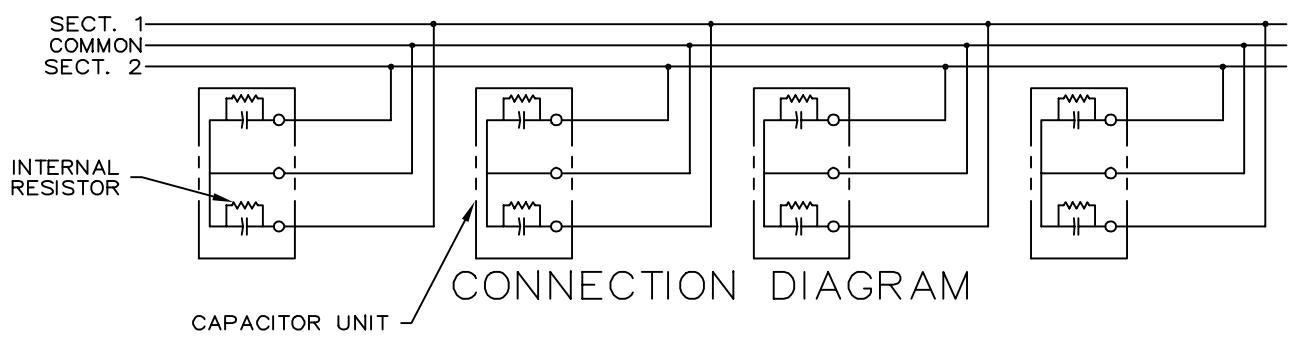
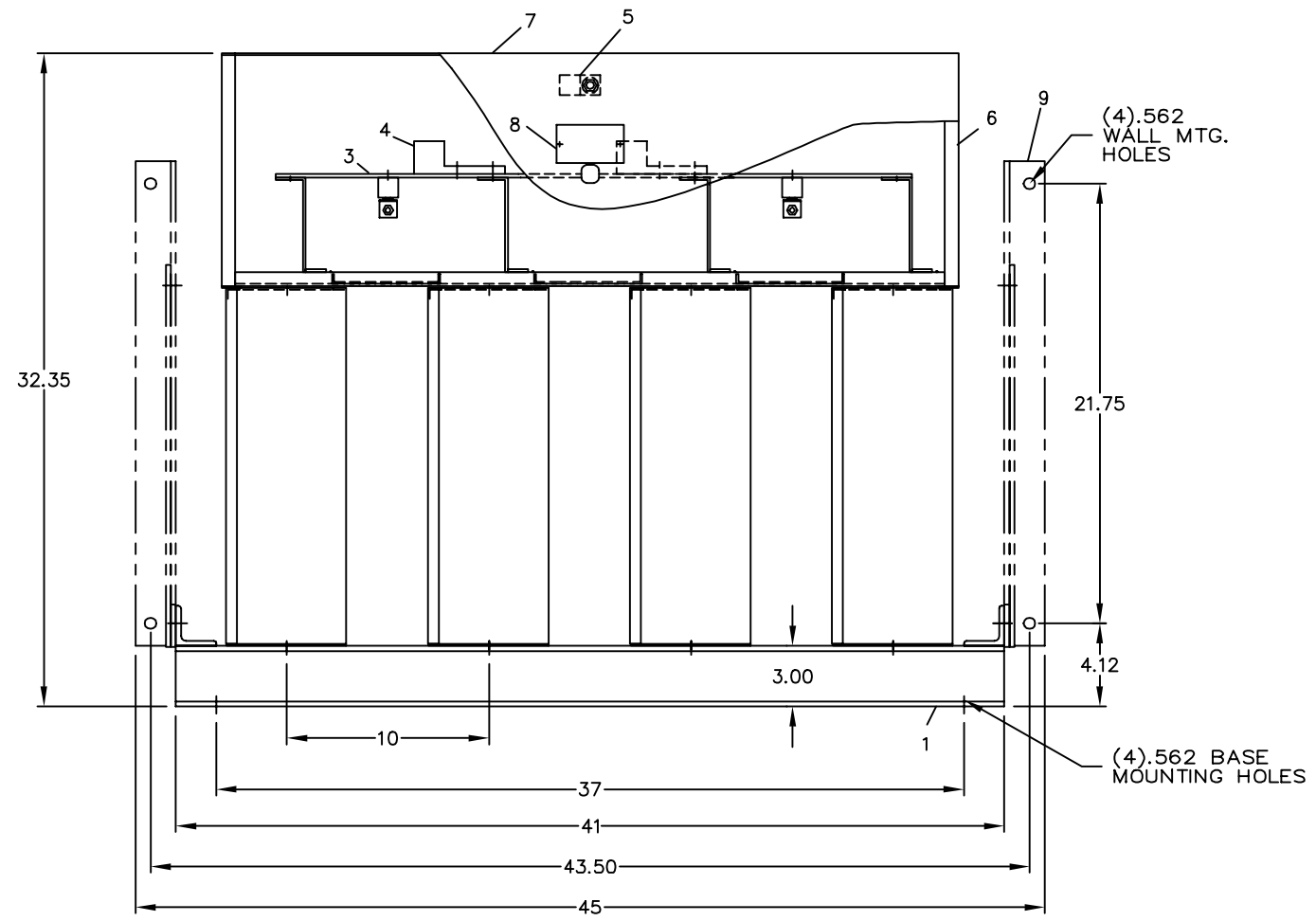
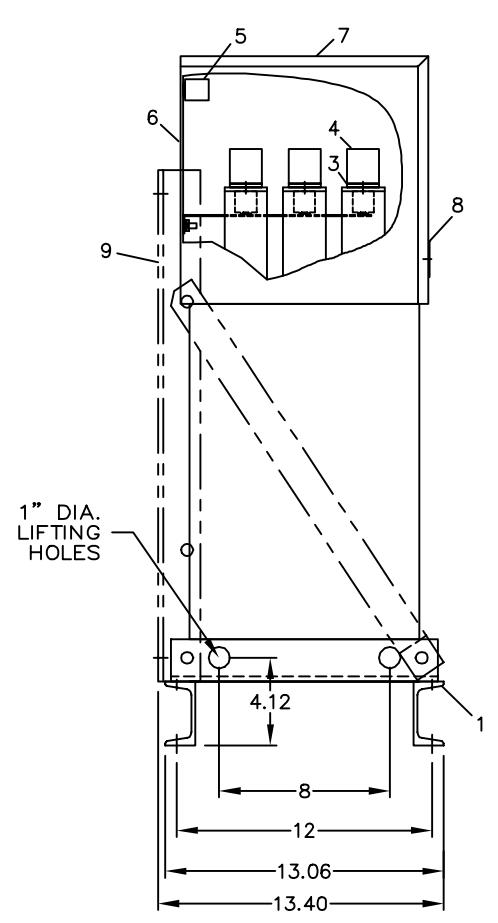


REVISIONS			
REV	DESCRIPTION	DATE	APPROVED
1	UPDATE TO AUTOCAD	11/8/00	FWL



NOMENCLATURE

1. ALUMINUM BASE FRAME
2. CAPACITOR UNIT
3. COPPER BUS BARS
4. LINE TERMINAL - #4/0 TO 600 MCM
5. GROUND TERMINAL - #6AWG TO 250 MCM
6. BUS ENCLOSURE
7. ACCESS COVER
8. RATING NAMEPLATE
9. OPTIONAL FIELD ASSEMBLED WALL MTG. FRAME

SIGNATURES		DATE		INDUSTRIAL SYSTEMS FORT EDWARD, N.Y., U.S.A. OUTLINE 65L920TX2 FIRST MADE FOR:	
DRAWN E.MCGINN		10/1/92			
CHECKED					
ENGR					
ISSUED		9/30/93			
CAD SYS. NO.		SIZE	FSCM NO.	DWG NO.	REV
AUTOCAD		C		65L920TX2	1
		SCALE	SHEET 1		CONT ON SHIT -

CAT 65L920TX2 SERNO
 KVAR 160 60Hz 1ph
 VOLT 240 DIAG 186C3233GN
 CONN COM CTR
 Read instructions: GEH-2728

413

DISTR TO