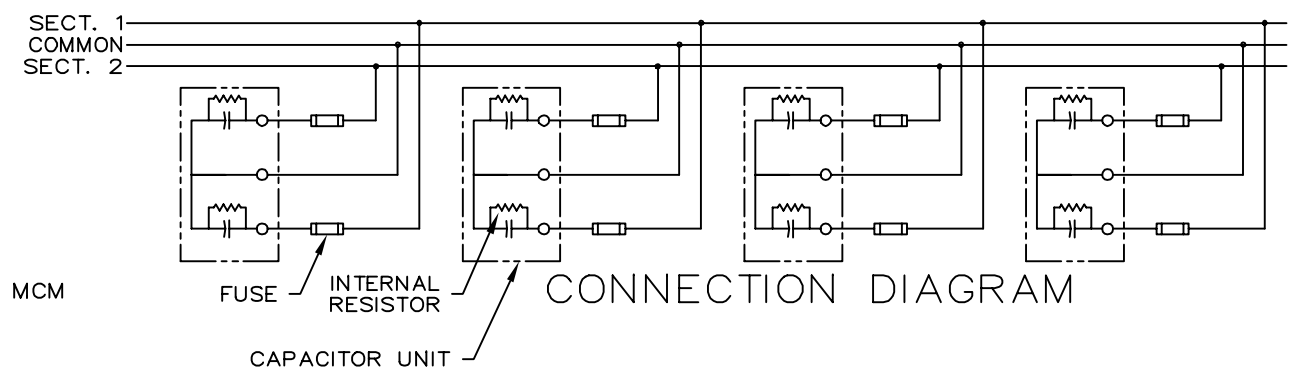
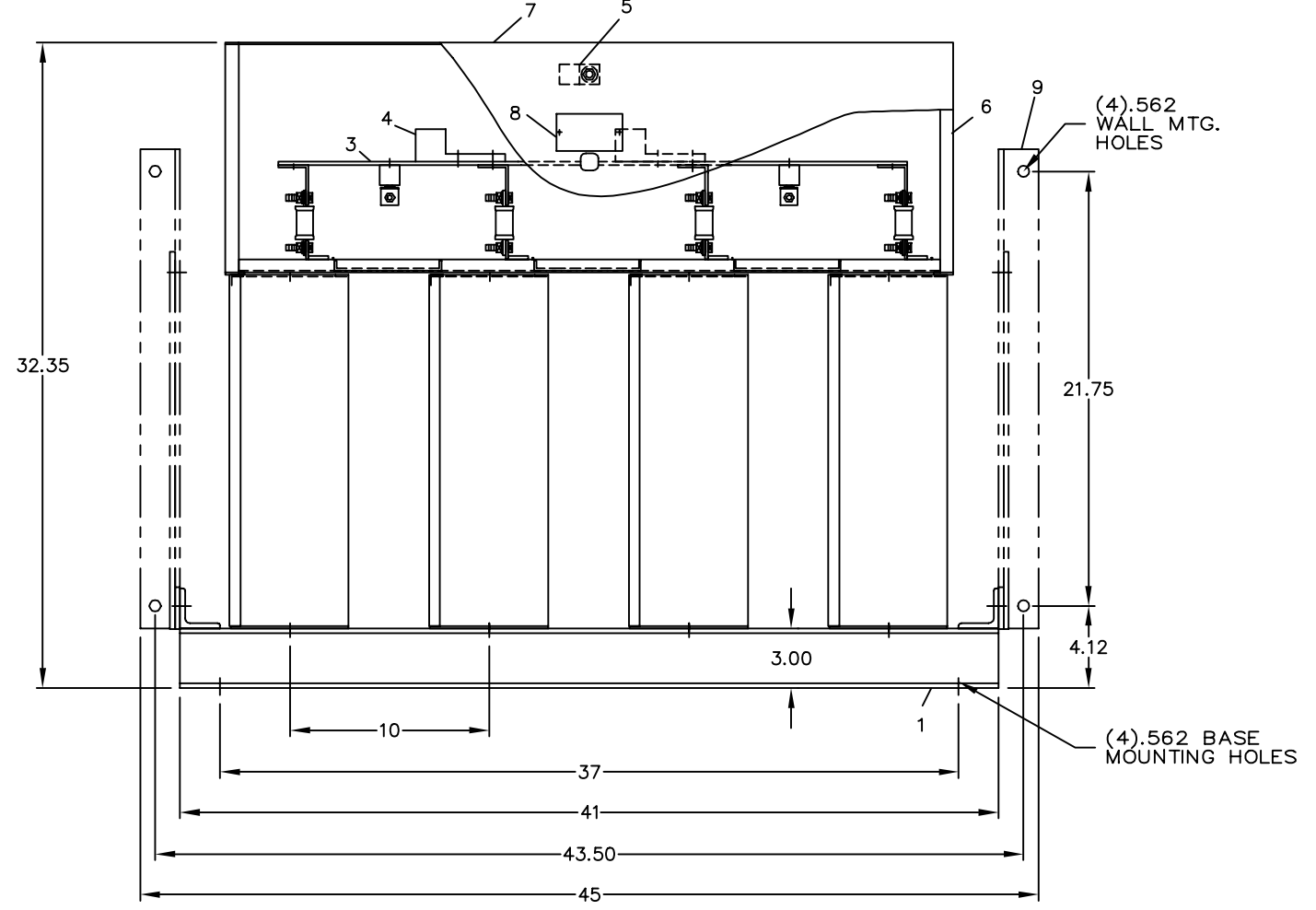
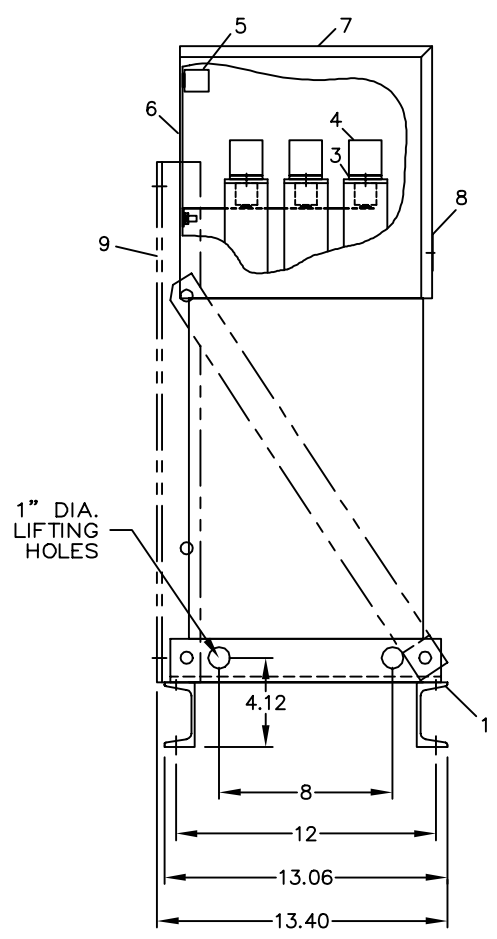


SIZE	DWG. NO.	SHT	REV
C	65L920TY2	1	1

REVISIONS			
REV	DESCRIPTION	DATE	APPROVED
1	UPDATE TO AUTOCAD		FWL



- NOMENCLATURE**
1. ALUMINUM BASE FRAME
 2. CAPACITOR UNIT
 3. COPPER BUS BARS
 4. LINE TERMINAL - #4/0 TO 600 MCM
 5. GROUND TERMINAL - #6AWG TO 250 MCM
 6. BUS ENCLOSURE
 7. ACCESS COVER
 8. RATING NAMEPLATE
 9. OPTIONAL FIELD ASSEMBLED WALL MTG. FRAME

SIGNATURES		DATE		INDUSTRIAL SYSTEMS FORT EDWARD, N.Y., U.S.A.			
DRAWN E.McGINN		9/30/00					
CHECKED							
ENGR							
ISSUED		9/30/00		OUTLINE 65L920TY2 FIRST MADE FOR:			
CAD SYS. NO.		SIZE C	FSCM NO.			DWG NO. 65L920TY2	REV 1
AUTOCAD		SCALE				SHEET 1	CONT ON SHT -

CAT 65L920TY2 SERNO
 KVAR 160 60Hz 1ph
 VOLT 240 DIAG 186C3233GK
 CONN COM CTR
 Read instructions: GEH-2728

413

DISTR TO