

4

3

2

C

SIZE DWG NO.

SHT

REV NO.

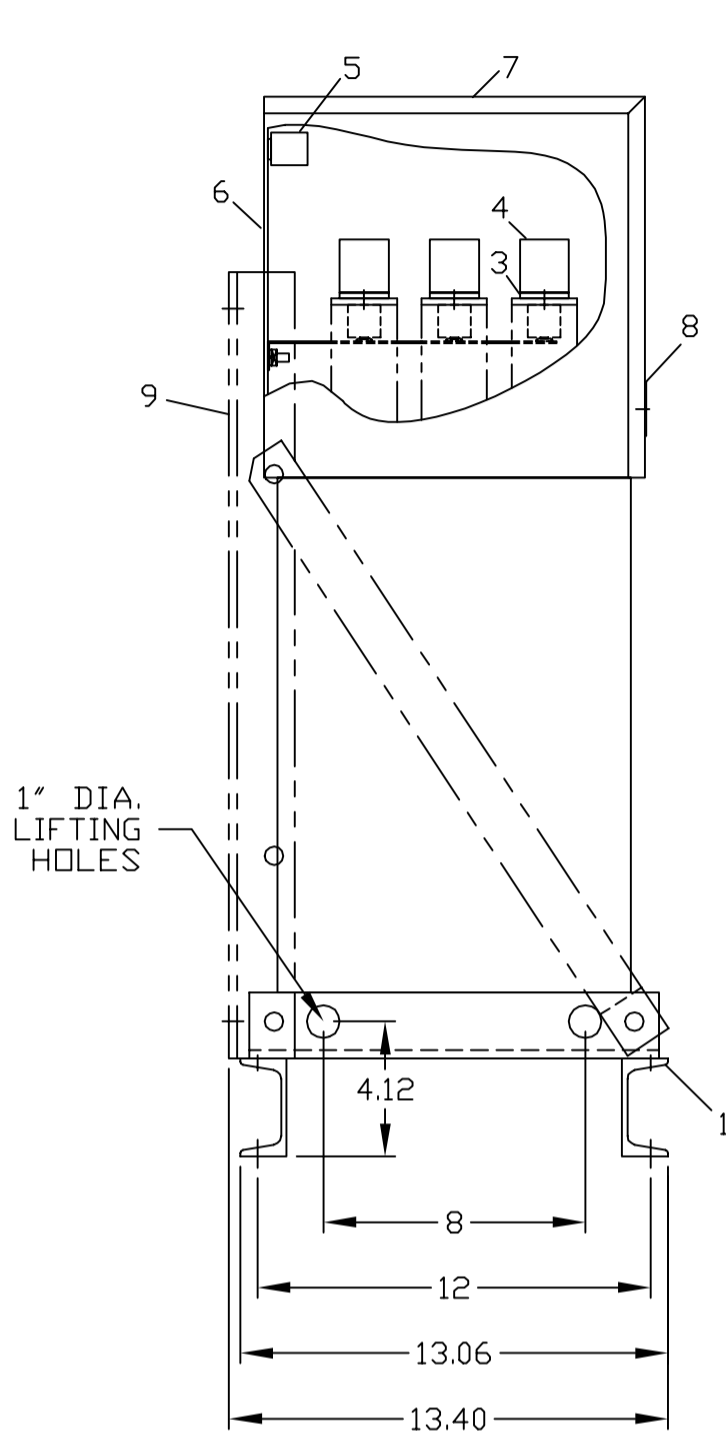
1

1

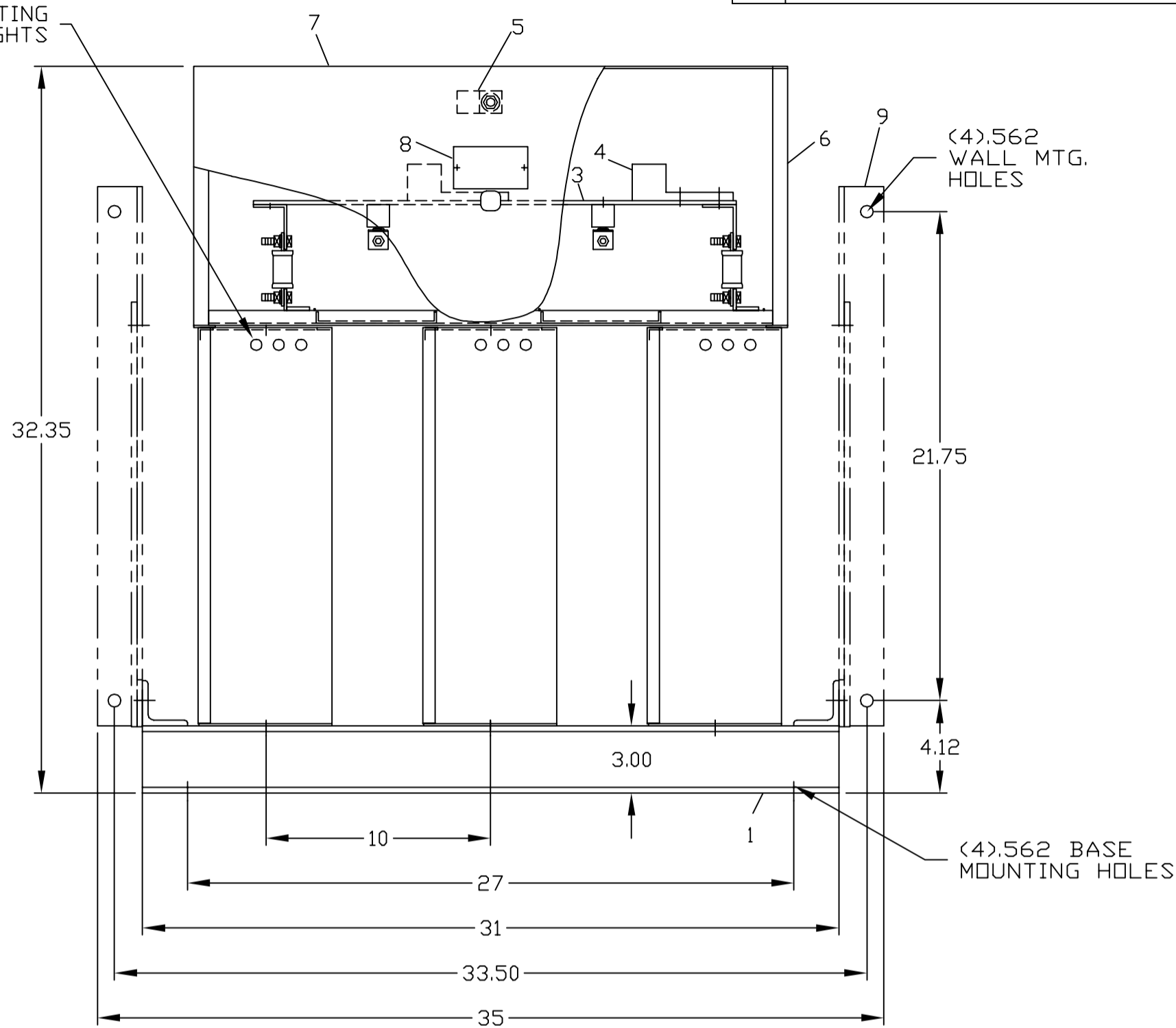
65L921TK2

REVISIONS

REV	DESCRIPTION	DATE	APPROVED
1	UPDATE TO AUTOCAD		KS

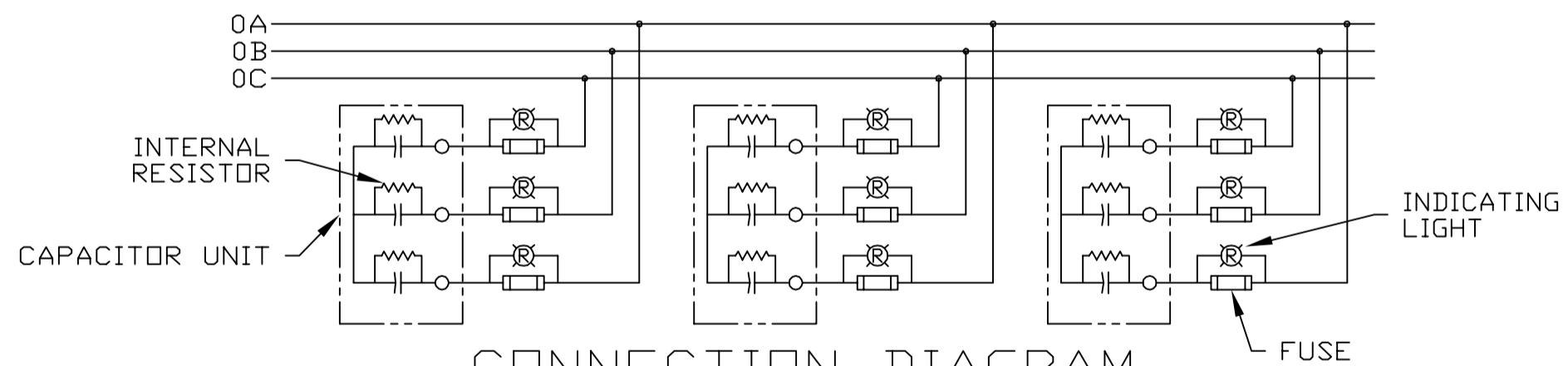


INDICATING LIGHTS



NOMENCLATURE

- 1. ALUMINUM BASE FRAME
- 2. CAPACITOR UNIT
- 3. COPPER BUS BARS
- 4. LINE TERMINAL - #4/0 TO 600 MCM
- 5. GROUND TERMINAL - #6AWG TO 250 MCM
- 6. BUS ENCLOSURE
- 7. ACCESS COVER
- 8. RATING NAMEPLATE
- 9. OPTIONAL FIELD ASSEMBLED WALL MTG. FRAME



CONNECTION DIAGRAM

CAT 65L921TK2 SERNO
 KVAR 170 60Hz 3ph
 VOLT 600 DIAG 186C3233FA
 CONN Y-CONN
 Read instructions: GEH-2728

SIGNATURES	DATE
DRAWN E.McGINN	9/28/92
CHECKED	
ENGR	
ISSUED	9/30/93
CAD SYS. NO.	
AUTOCAD	



INDUSTRIAL SYSTEMS
FORT EDWARD, N.Y., U.S.A.

OUTLINE
65L921TK2

FIRST MADE FOR:

SIZE	FSCM NO.	DWG NO.	REV
C		65L921TK2	1
SCALE		SHEET	CONT ON SHT

413

DISTR TO

4

3

2

1