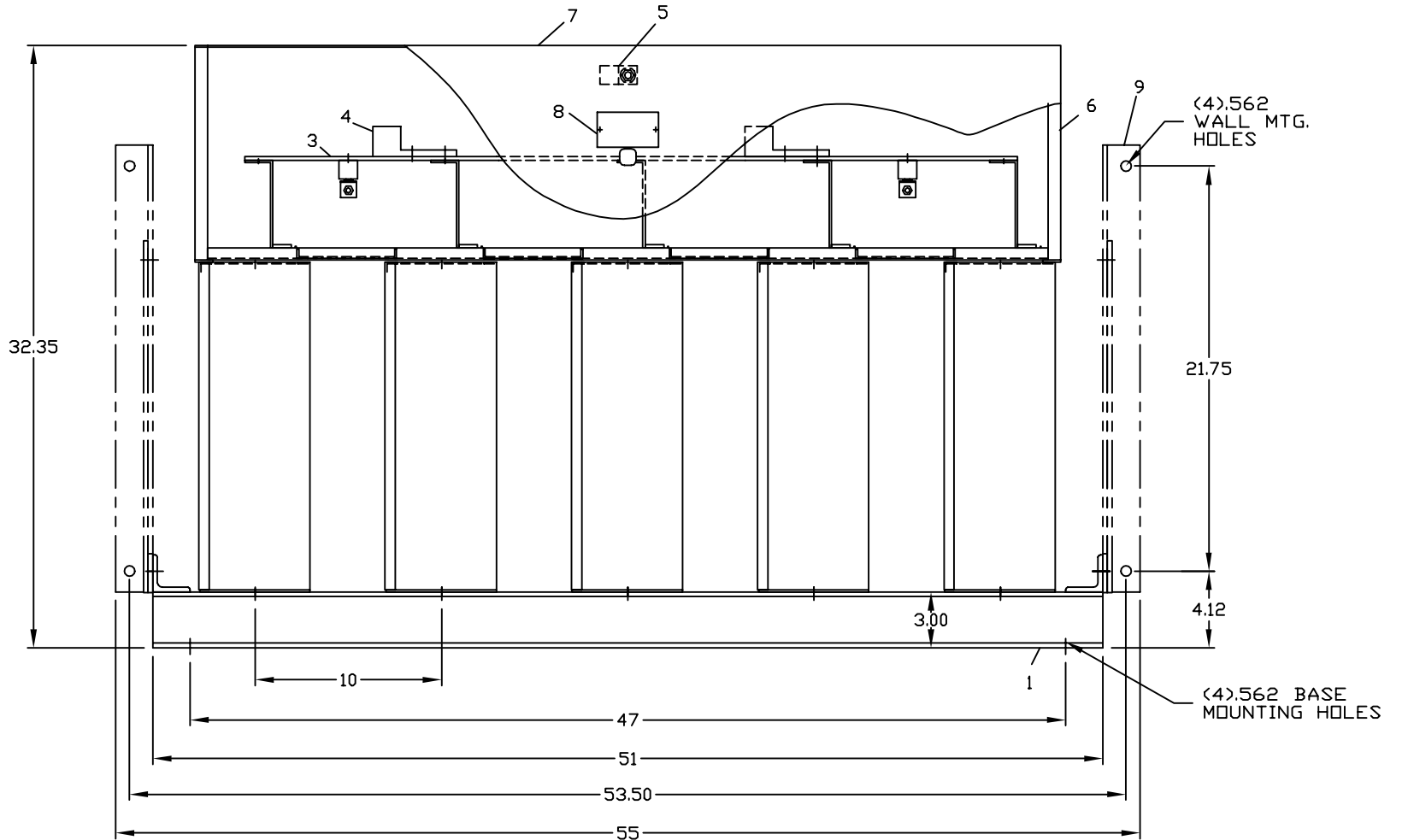
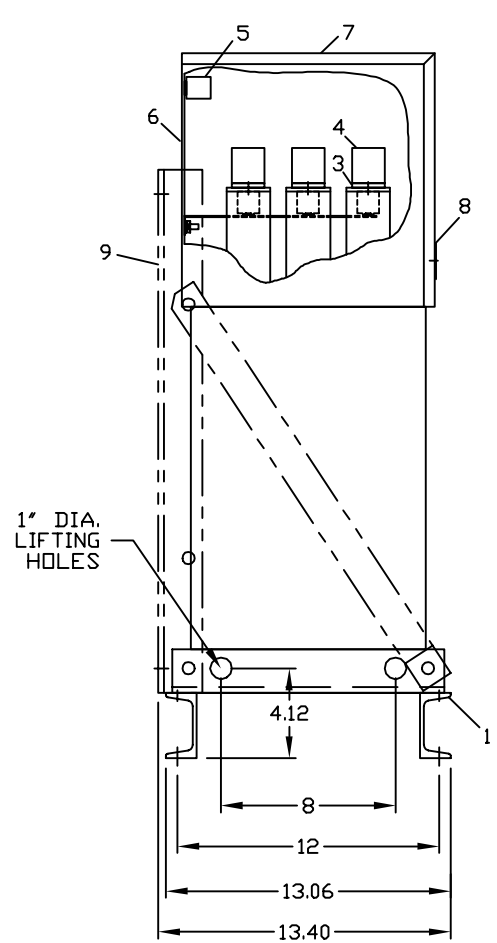
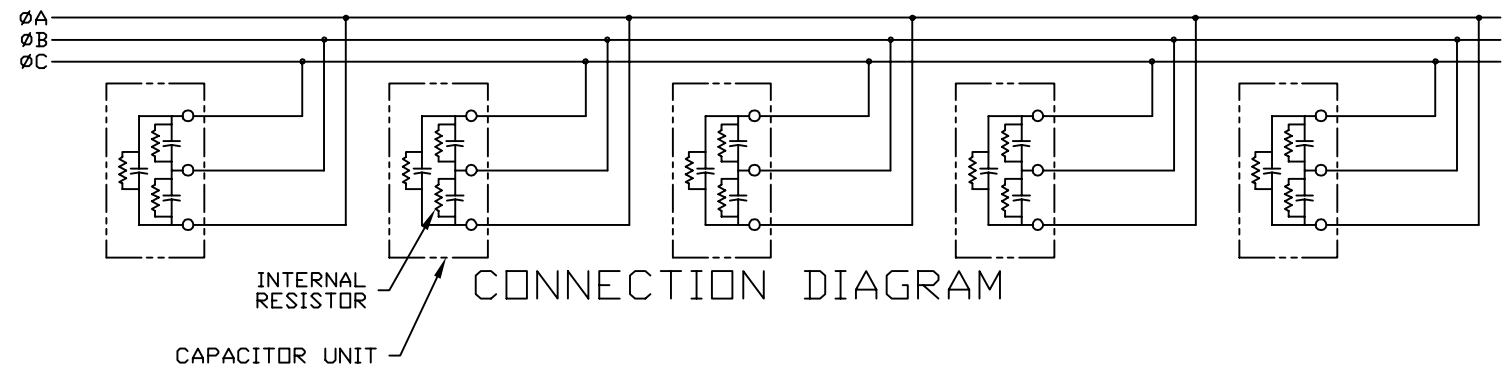


REVISIONS			
REV	DESCRIPTION	DATE	APPROVED
1	UPDATE TO AUTOCAD		FWL



- NOMENCLATURE**
1. ALUMINUM BASE FRAME
 2. CAPACITOR UNIT
 3. COPPER BUS BARS
 4. LINE TERMINAL - #4/0 TO 600 MCM
 5. GROUND TERMINAL - #6AWG TO 250 MCM
 6. BUS ENCLOSURE
 7. ACCESS COVER
 8. RATING NAMEPLATE
 9. OPTIONAL FIELD ASSEMBLED WALL MTG. FRAME



SIGNATURES		DATE		INDUSTRIAL SYSTEMS FORT EDWARD, N.Y., U.S.A. OUTLINE 65L921TL2		
DRAWN E.McGINN		10/1/92				
CHECKED						
ENGR						
ISSUED		9/30/93				
FIRST MADE FOR:				413		
CAD SYS. NO.		SIZE C	FSCM NO.		DWG NO. 65L921TL2	REV 1
AUTOCAD		SCALE	SHEET 1		CONT ON SHT -	

CAT 65L921TL2 SERNO
 KVAR 170 60Hz 3ph
 VOLT 240 DIAG 186C3233HM
 CONN DELTA
 Read instructions: GEH-2728