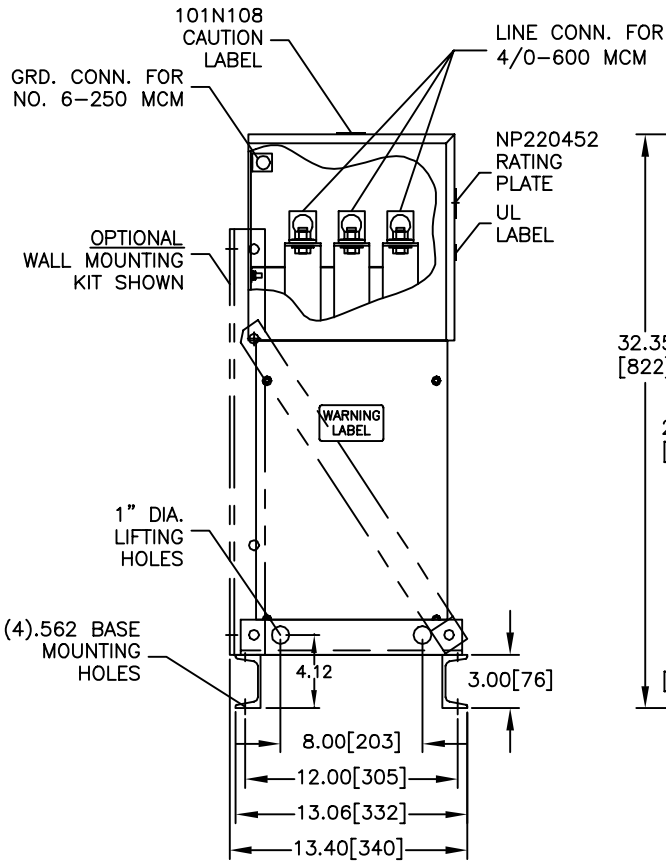
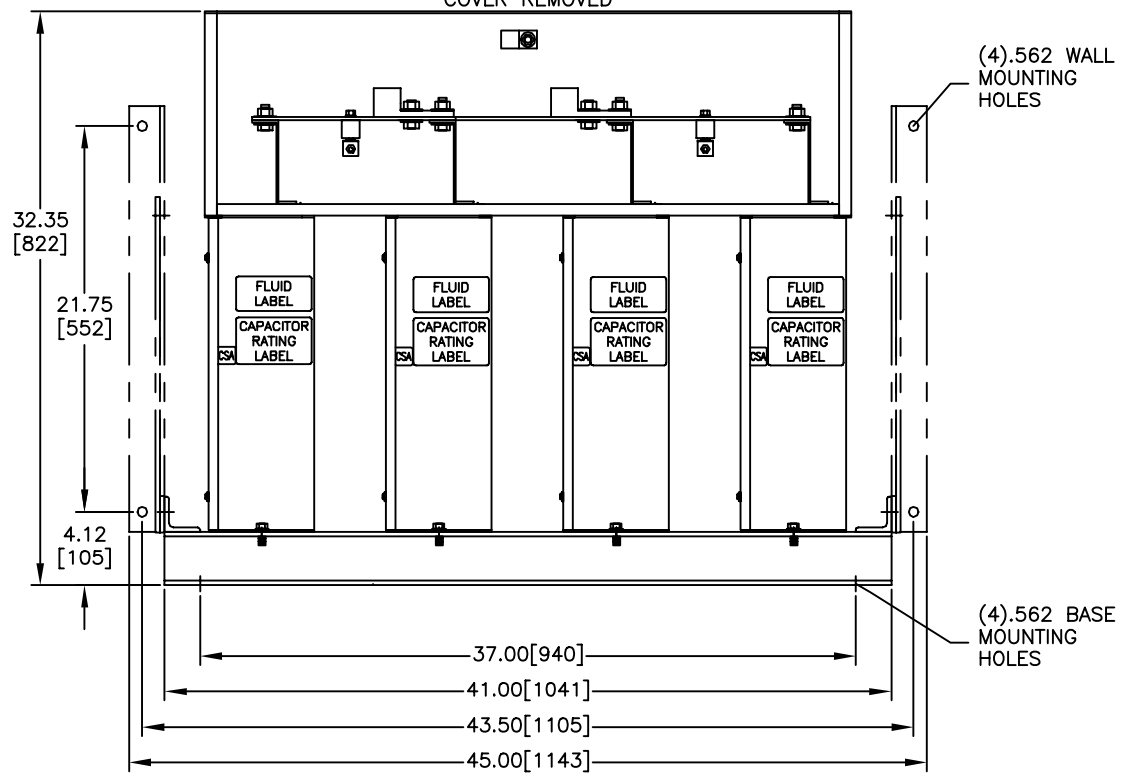


| | | | |
|-----------|---------------------|----------|----------|
| SIZE A | DWG NO 65L921TL3 | SHT 2 | REV |
| REV | DESCRIPTION | DATE | APPROVED |



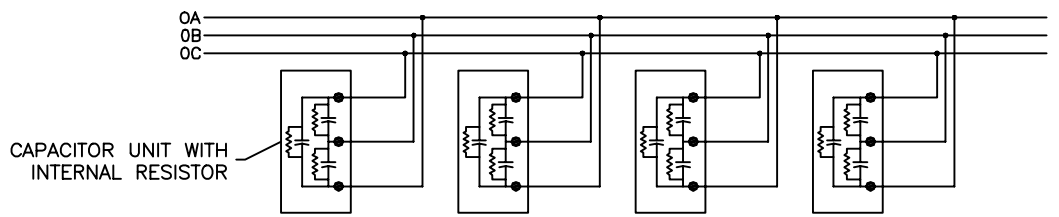
FRONT VIEW
SHOWN WITH TOP/FRONT COVER REMOVED



CAPACITOR

CAT. 65L921TL3 SER.NO.
kVAR 170 60 Hz 3 Ph
VOLT. 240 CONN. DELTA
DIAG. 186C3233GM

CAUTION BEFORE INSTALLING OR OPERATING READ INST. 2738
CAPACITOR UNITS CONTAIN CLASS III B COMBUSTIBLE LIQUID.
CAPACITOR UNITS INCLUDE INTERNAL DISCHARGE RESISTORS.
NP220452 FORT EDWARD, N.Y. MADE IN U.S.A.



CONNECTION DIAGRAM

| | | | |
|--|-------------------|-------------------------|---|
| INDUSTRIAL SYSTEMS FORT EDWARD, N.Y., U.S.A. | SIZE A | EST. WEIGHT: 196 | <h1 style="margin: 0;">OUTLINE</h1> <h2 style="margin: 0;">65L921TL3</h2> |
| | SCALE | GALLONS LIQUID: 1.98 | |
| DRAWN A.COZZENS | DATE 7/11/2003 | SHEET 2 CONT ON - | |
| ISSUED | DATE 7/16/2003 | | |

DISTR. TO