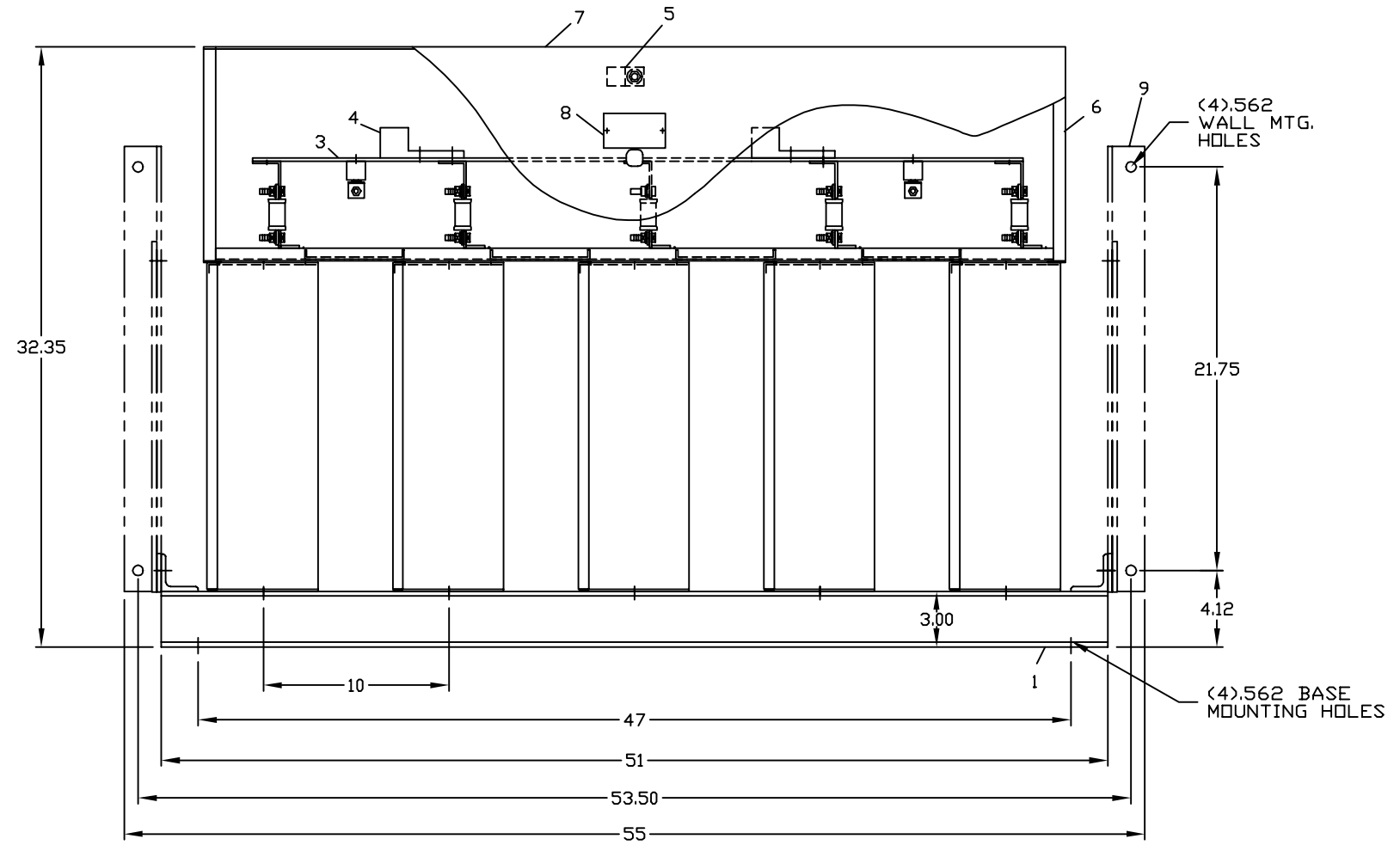
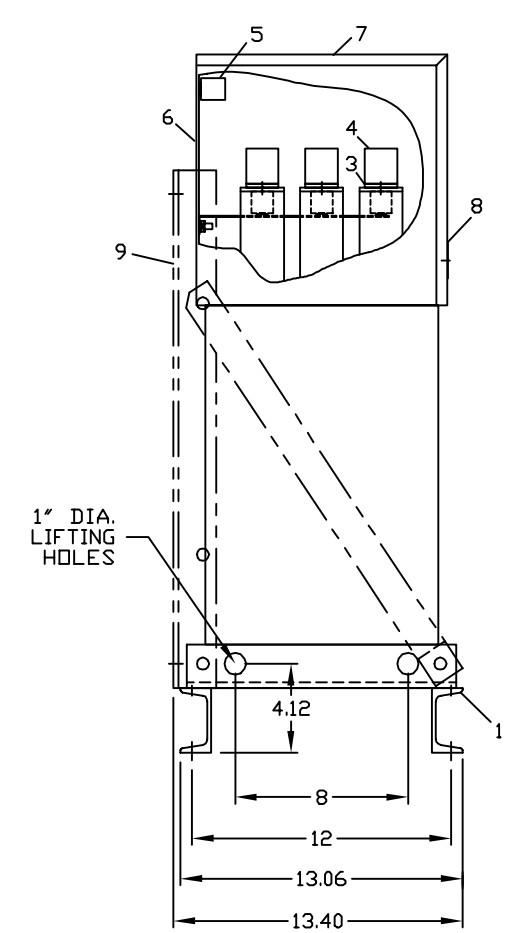
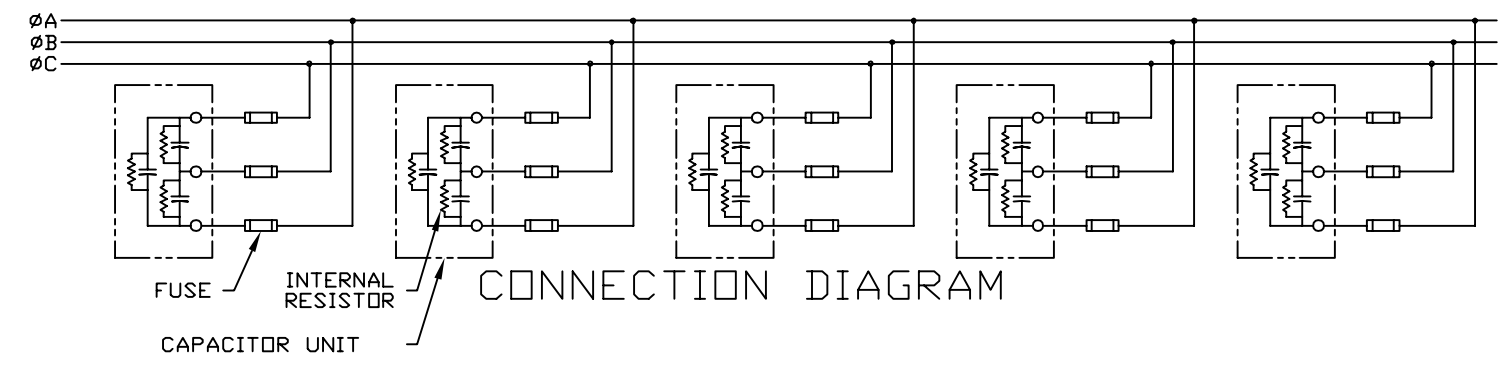


| SIZE | DWG NO. | SHT | REV | REV |
|-----------|-------------------|------|----------|-----|
| C | 65L921TN2 | 1 | 1 | 1 |
| REVISIONS | | | | |
| REV | DESCRIPTION | DATE | APPROVED | |
| 1 | UPDATE TO AUTOCAD | | FWL | |



- NOMENCLATURE**
1. ALUMINUM BASE FRAME
 2. CAPACITOR UNIT
 3. COPPER BUS BARS
 4. LINE TERMINAL - #4/0 TO 600 MCM
 5. GROUND TERMINAL - #6AWG TO 250 MCM
 6. BUS ENCLOSURE
 7. ACCESS COVER
 8. RATING NAMEPLATE
 9. OPTIONAL FIELD ASSEMBLED WALL MTG. FRAME



| | | | | | |
|--------------|----------|---------|----------|--|--|
| SIGNATURES | | DATE | | INDUSTRIAL SYSTEMS FORT EDWARD, N.Y., U.S.A. OUTLINE L65 EQUIPMENT | FIRST MADE FOR: 413 DISTR TO |
| DRAWN | E.McGINN | 10/1/92 | | | |
| CHECKED | | | | | |
| ENGR | | | | | |
| ISSUED | | 9/30/93 | | | |
| CAD SYS. NO. | | SIZE | FSCM NO. | DWG NO. | REV |
| AUTOCAD | | C | | 65L921TN2 | 1 |
| | | SCALE | SHEET 1 | | CONT ON SHT - |

CAT 65L921TN2 SERNO
 KVAR 170 60Hz 3ph
 VOLT 240 DIAG 186C3233HD
 CONN DELTA
 Read instructions: GEH-2728