

4

3

2

C

SIZE DWG NO.

65L921TR2

SHT

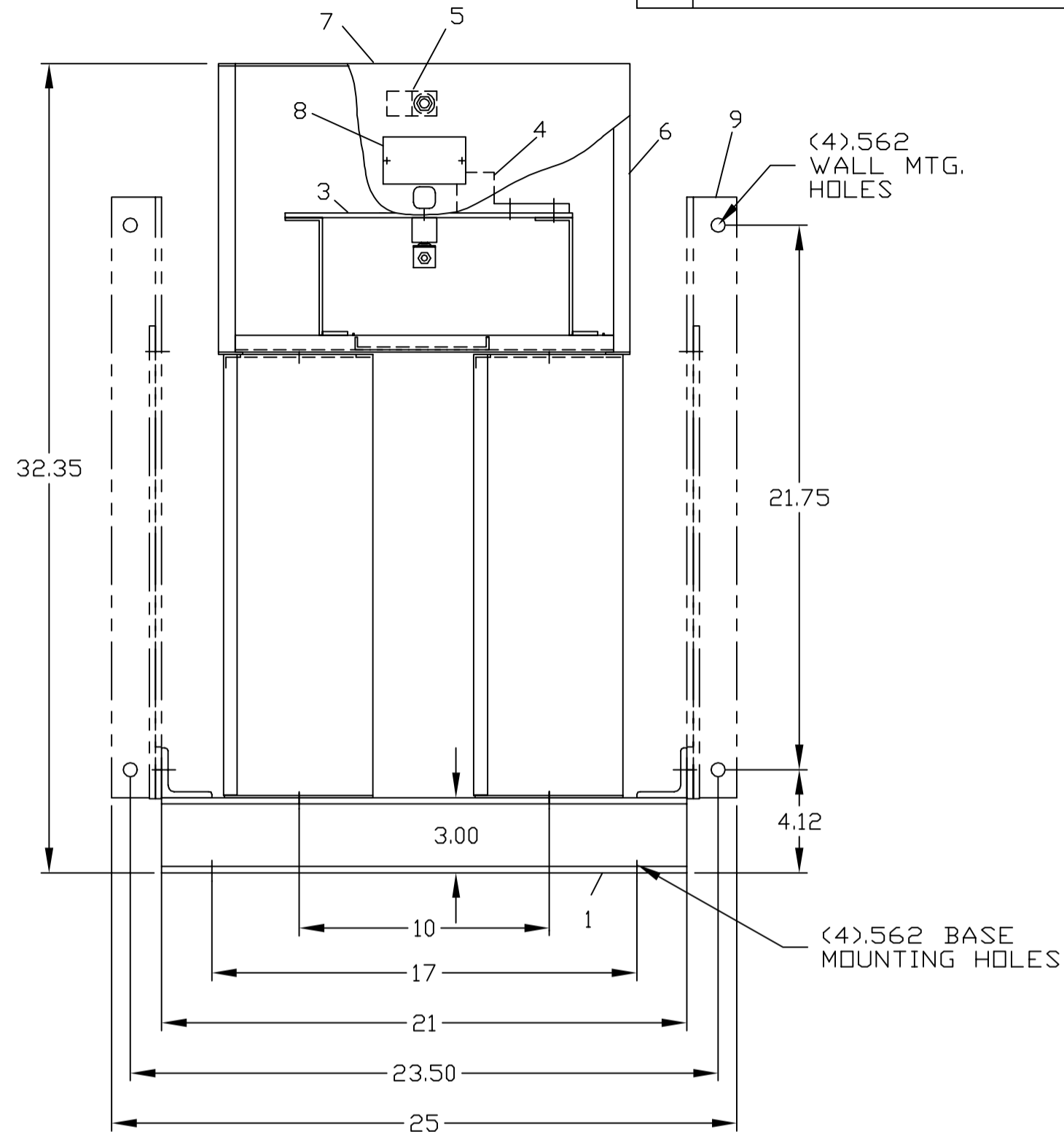
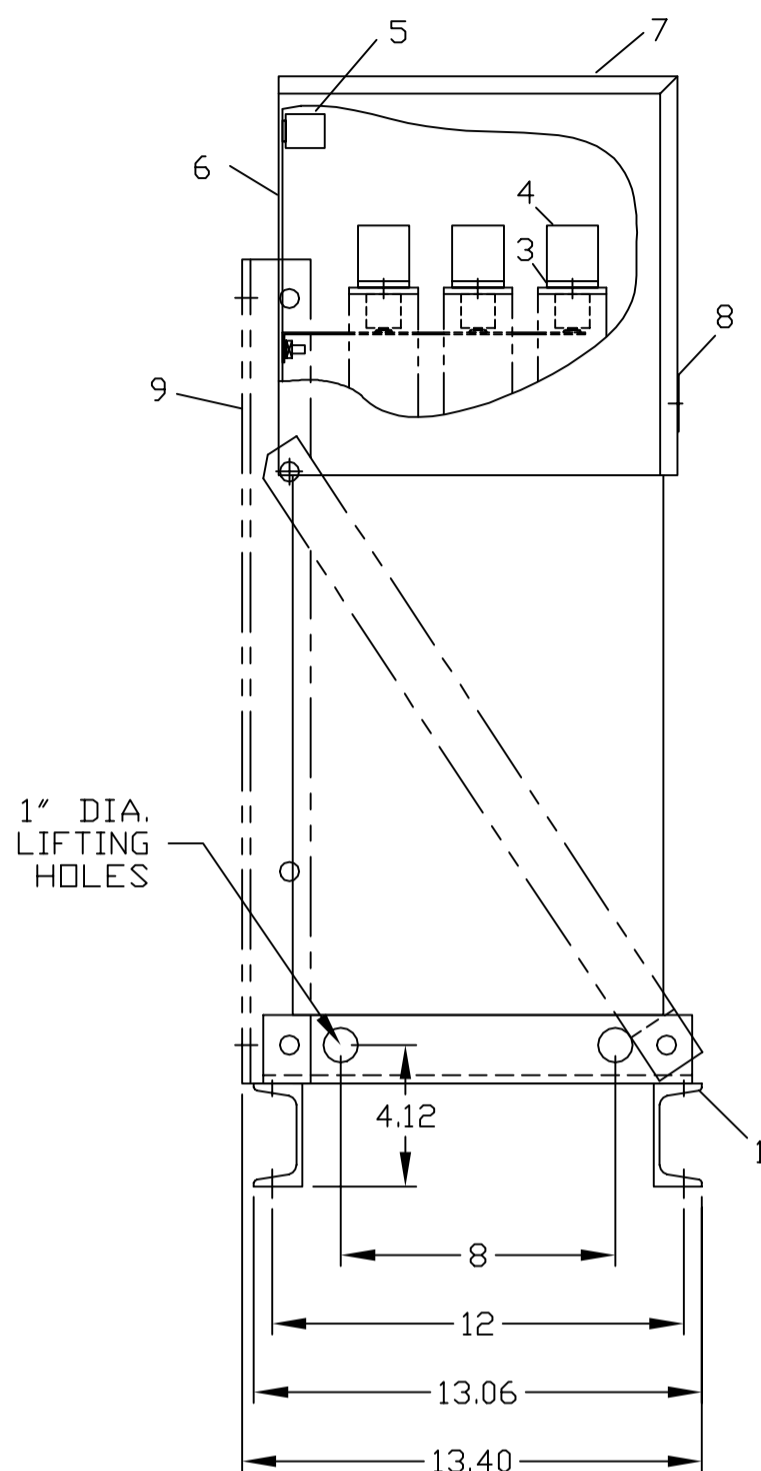
REV NO.

1

1

REVISIONS

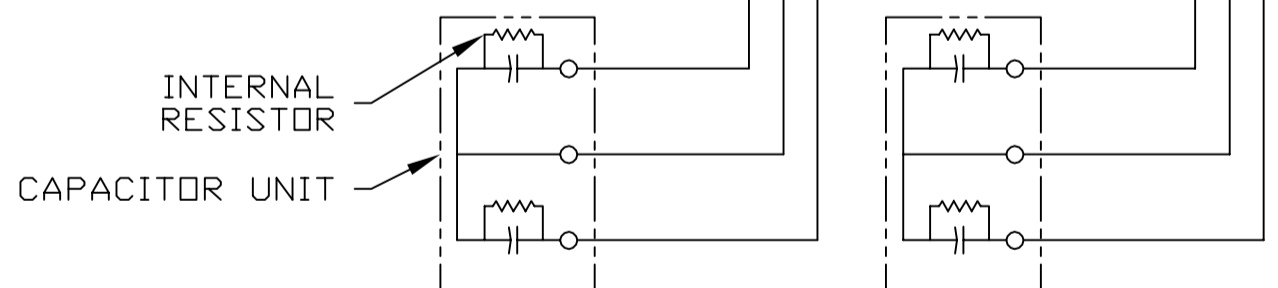
| REV | DESCRIPTION | DATE | APPROVED |
|-----|-------------------|------|----------|
| 1 | UPDATE TO AUTOCAD | | KS |



NOMENCLATURE

- 1. ALUMINUM BASE FRAME
- 2. CAPACITOR UNIT
- 3. COPPER BUS BARS
- 4. LINE TERMINAL - #4/0 TO 600 MCM
- 5. GROUND TERMINAL - #6AWG TO 250 MCM
- 6. BUS ENCLOSURE
- 7. ACCESS COVER
- 8. RATING NAMEPLATE
- 9. OPTIONAL FIELD ASSEMBLED WALL MTG. FRAME

SECT. 1
COMMON
SECT. 2



CONNECTION DIAGRAM

CAT 65L921TR2 SERNO
 KVAR 170 60Hz 1ph
 VOLT 480 DIAG 186C3233EN
 CONN COM CTR
 Read instructions: GEH-2728

| | |
|----------------|---------|
| SIGNATURES | DATE |
| DRAWN E.McGINN | 9/24/92 |
| CHECKED | |
| ENGR | |
| ISSUED | 9/30/93 |
| CAD SYS. NO. | |
| AUTOCAD | |



INDUSTRIAL SYSTEMS
FORT EDWARD, N.Y., U.S.A.

OUTLINE
65L921TR2

FIRST MADE FOR:

| | | | |
|--------|----------|-------------------|----------|
| SIZE C | FSCM NO. | DWG NO. 65L921TR2 | REV 1 |
| SCALE | SHEET | CONT ON SHT | DISTR TO |

413

4

3

2

1