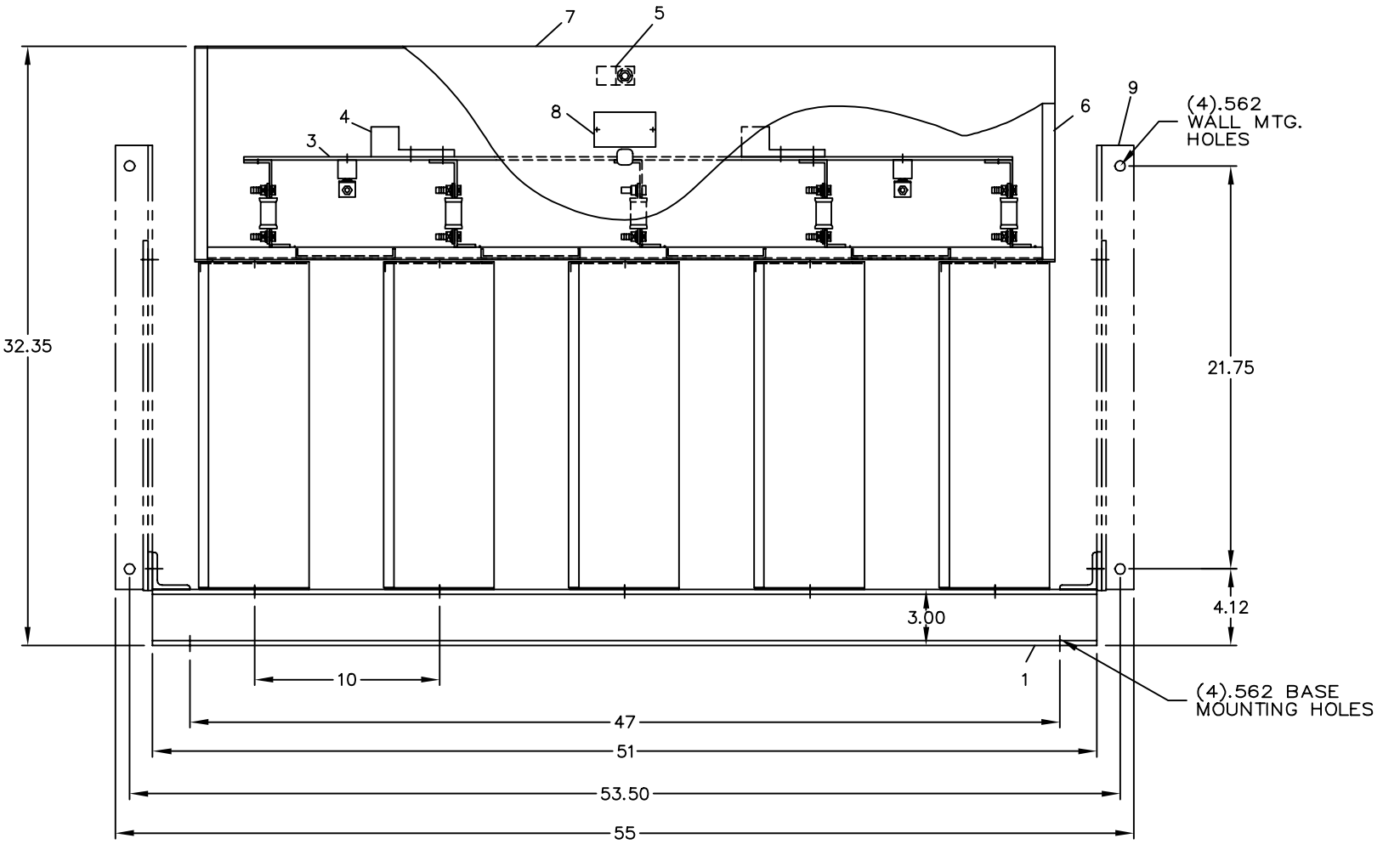
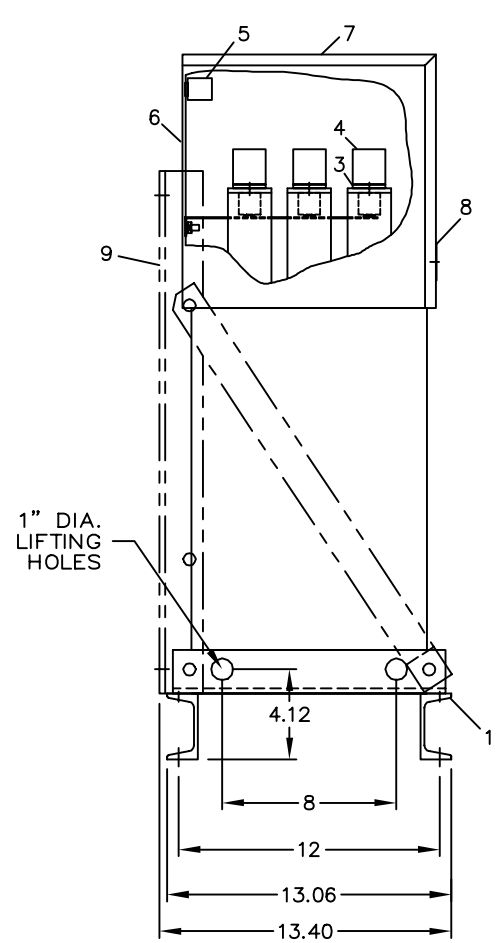
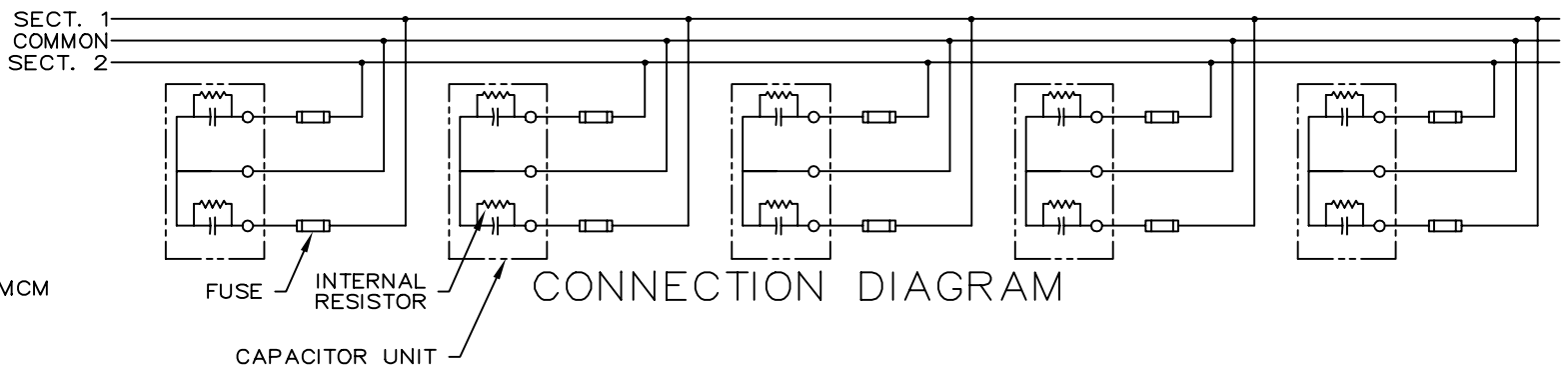


REVISIONS			
REV	DESCRIPTION	DATE	APPROVED
1	UPDATE TO AUTOCAD		FWL



- NOMENCLATURE**
1. ALUMINUM BASE FRAME
 2. CAPACITOR UNIT
 3. COPPER BUS BARS
 4. LINE TERMINAL - #4/O TO 600 MCM
 5. GROUND TERMINAL - #6AWG TO 250 MCM
 6. BUS ENCLOSURE
 7. ACCESS COVER
 8. RATING NAMEPLATE
 9. OPTIONAL FIELD ASSEMBLED WALL MTG. FRAME



SIGNATURES		DATE		INDUSTRIAL SYSTEMS FORT EDWARD, N.Y., U.S.A. OUTLINE 65L921TY2 FIRST MADE FOR:	SHEET 1 CONT ON SHT -
DRAWN E.McGINN		10/1/92			
CHECKED					
ENGR					
ISSUED		9/30/93			
CAD SYS. NO.		SIZE C	FSCM NO.	DWG NO. 65L921TY2	REV 1
AUTOCAD		SCALE		DISTR TO 413	

CAT 65L921TY2 SERNO
 KVAR 170 60Hz 1ph
 VOLT 240 DIAG 186C3233HK
 CONN CDM CTR
 Read instructions: GEH-2728