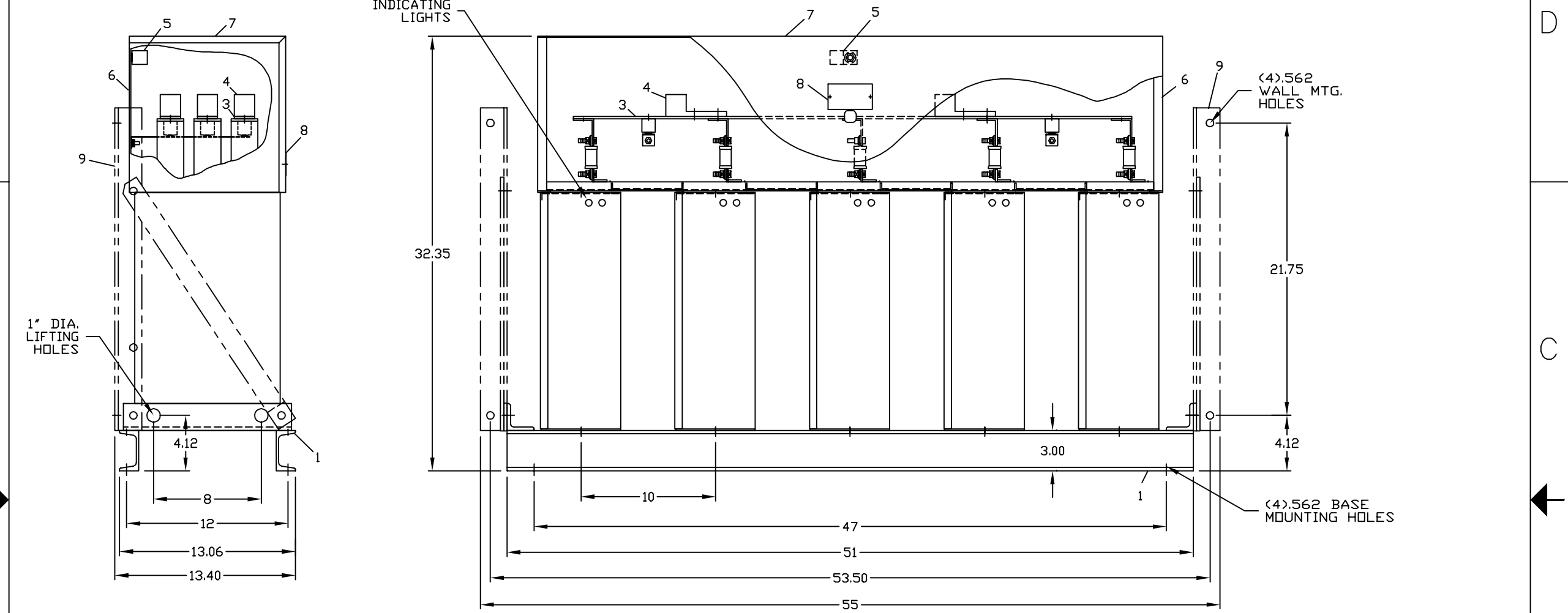
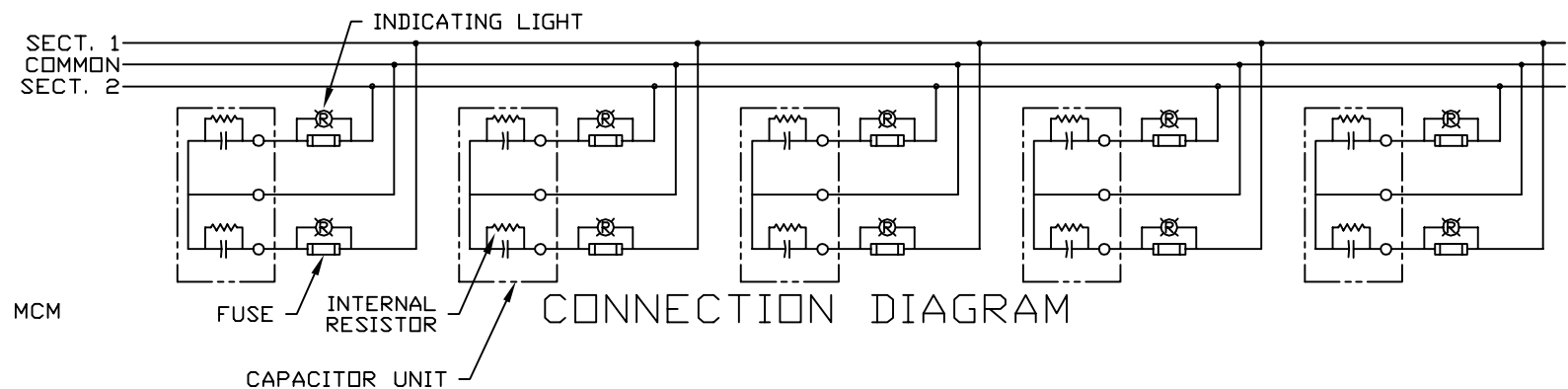


REVISIONS			
REV	DESCRIPTION	DATE	APPROVED
1	UPDATE TO AUTOCAD		FWL



- NOMENCLATURE**
1. ALUMINUM BASE FRAME
 2. CAPACITOR UNIT
 3. COPPER BUS BARS
 4. LINE TERMINAL - #4/0 TO 600 MCM
 5. GROUND TERMINAL - #6AWG TO 250 MCM
 6. BUS ENCLOSURE
 7. ACCESS COVER
 8. RATING NAMEPLATE
 9. OPTIONAL FIELD ASSEMBLED WALL MTG. FRAME



SIGNATURES		DATE	INDUSTRIAL SYSTEMS FORT EDWARD, N.Y., U.S.A.	OUTLINE 65L921TZ2
DRAWN E.McGINN		10/1/92		
CHECKED				
ENGR				
ISSUED		9/30/93		
FIRST MADE FOR:				
CAD SYS. NO.	SIZE C	FSCM NO.	DWG NO. 65L921TZ2	REV 1
AUTOCAD	SCALE		SHEET 1	CONT ON SHT -

CAT 65L921TZ2 SERNO
 KVAR 170 60Hz 1ph
 VOLT 240 DIAG 186C3233HG
 CONN CDM CTR
 Read instructions: GEH-2728

DISTR TO 413