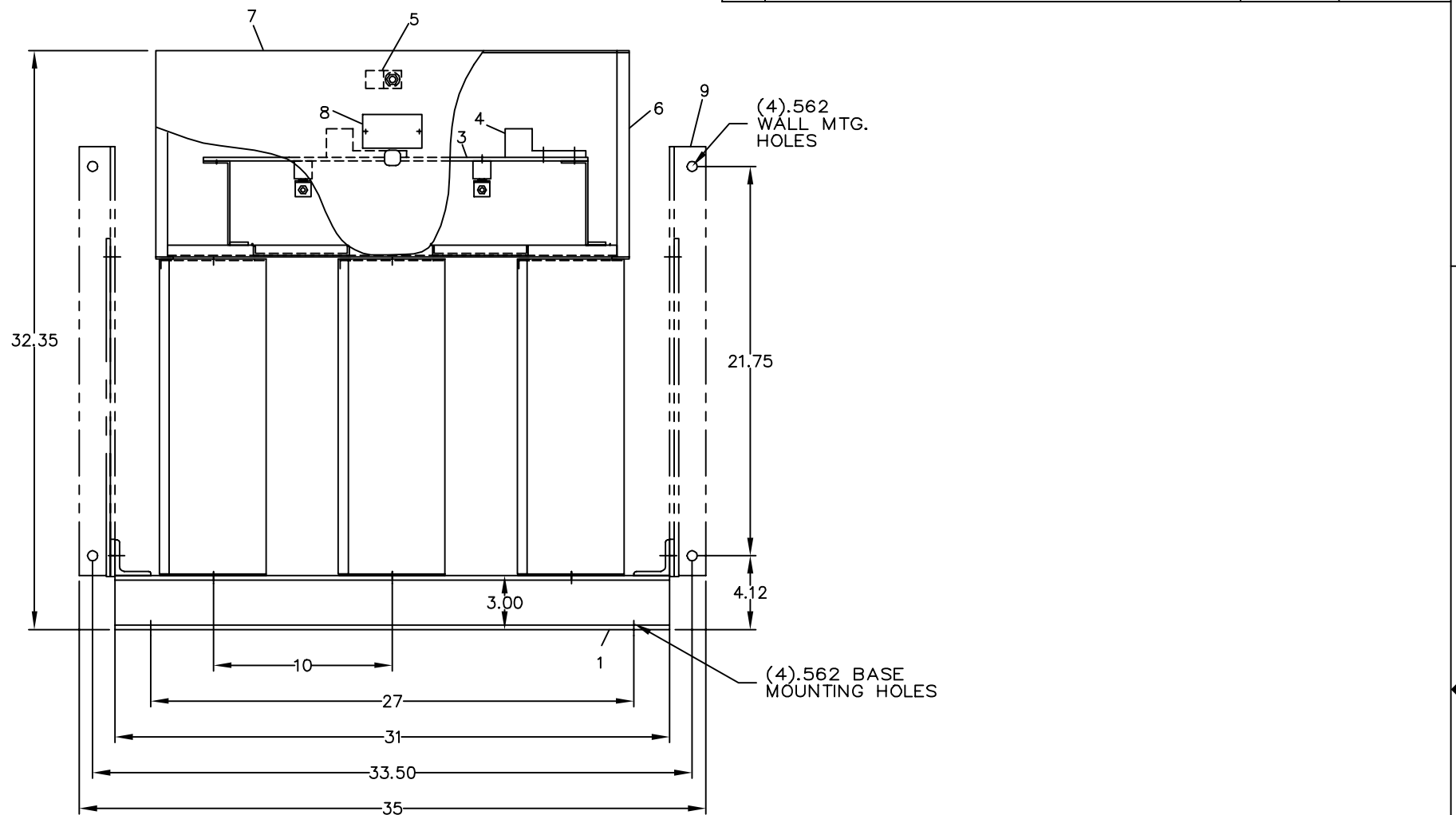
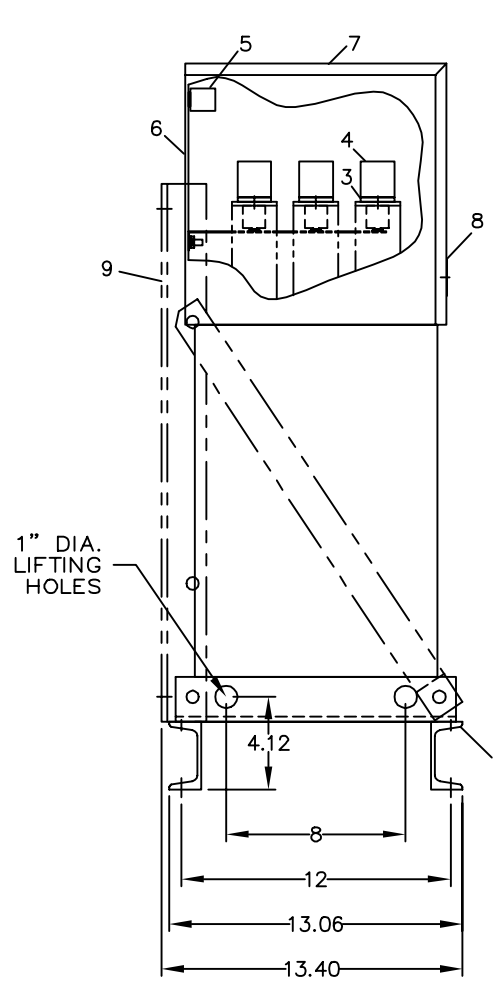
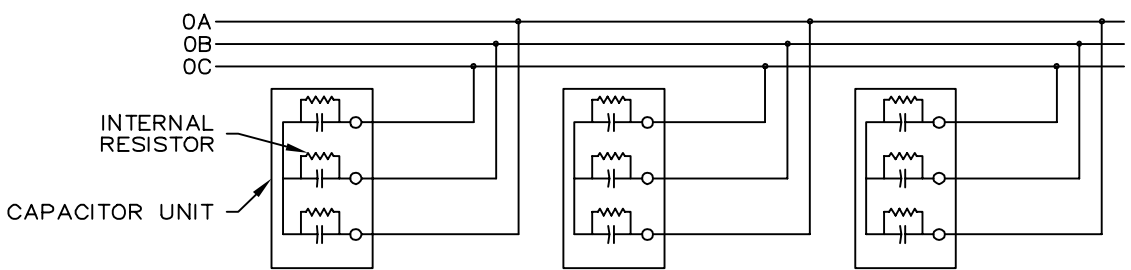


REVISIONS			
REV	DESCRIPTION	DATE	APPROVED
1	UPDATE TO AUTOCAD		EJM



- NOMENCLATURE**
1. ALUMINUM BASE FRAME
 2. CAPACITOR UNIT
 3. COPPER BUS BARS
 4. LINE TERMINAL - #4/0 TO 600 MCM
 5. GROUND TERMINAL - #6AWG TO 250 MCM
 6. BUS ENCLOSURE
 7. ACCESS COVER
 8. RATING NAMEPLATE
 9. OPTIONAL FIELD ASSEMBLED WALL MTG. FRAME



CONNECTION DIAGRAM

SIGNATURES		DATE		INDUSTRIAL SYSTEMS FORT EDWARD, N.Y., U.S.A. OUTLINE 65L922TF2 FIRST MADE FOR:
DRAWN E.McGINN		9/28/93		
CHECKED				
ENGR				
ISSUED		9/30/93		
CAD SYS. NO.		SIZE C	FSCM NO.	DWG. NO. 65L922TF2
AUTOCAD		SCALE		REV 1
		SHEET 1		CONT ON SHT -

CAT 65L922TF2 SERNO
 KVAR 175 60Hz 3ph
 VOLT 600 DIAG 186C3233FL
 CONN Y-CONN
 Read instructions: GEH-2728

413