

4

3

2

C

SIZE DWG NO.

65L922TH2

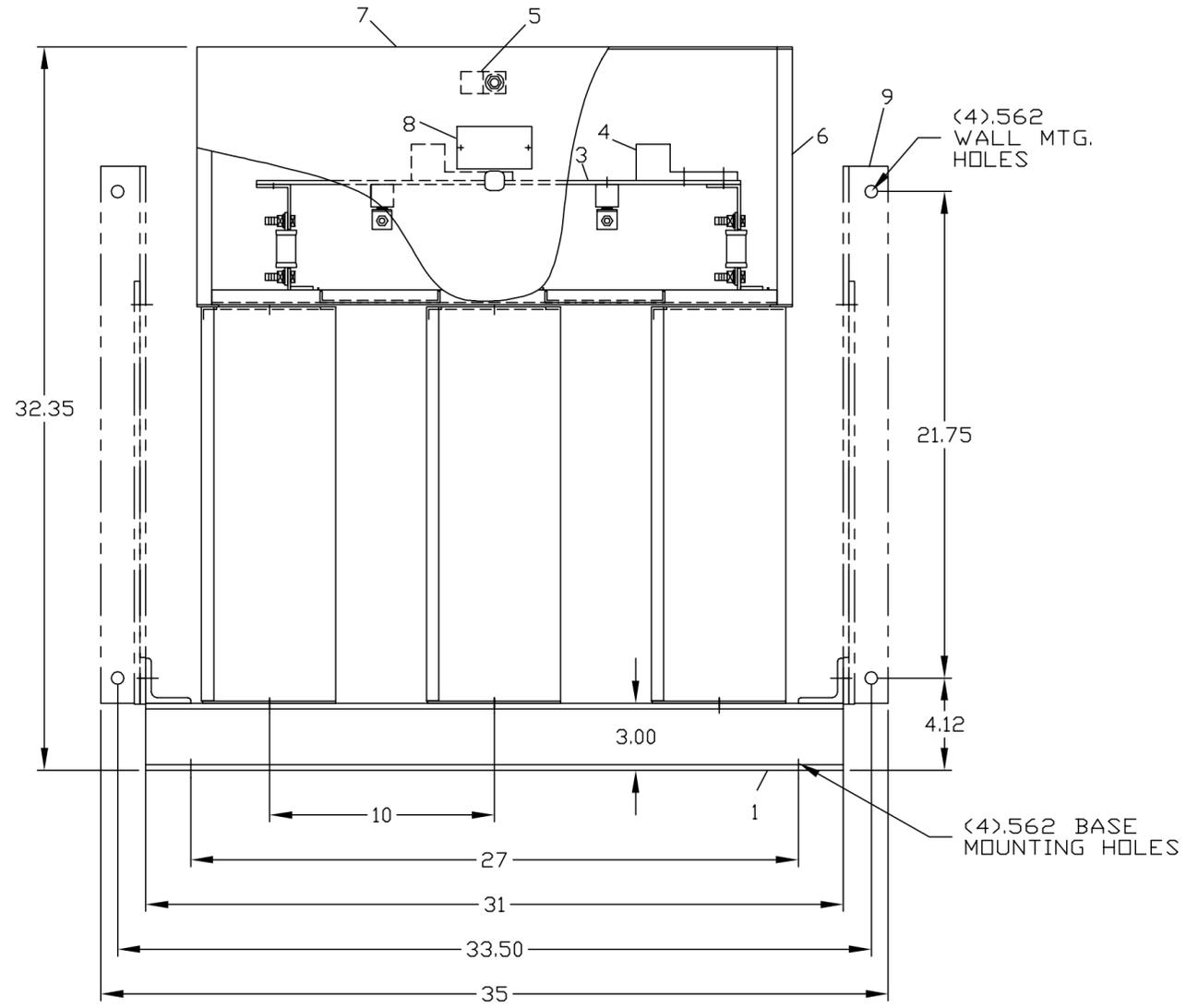
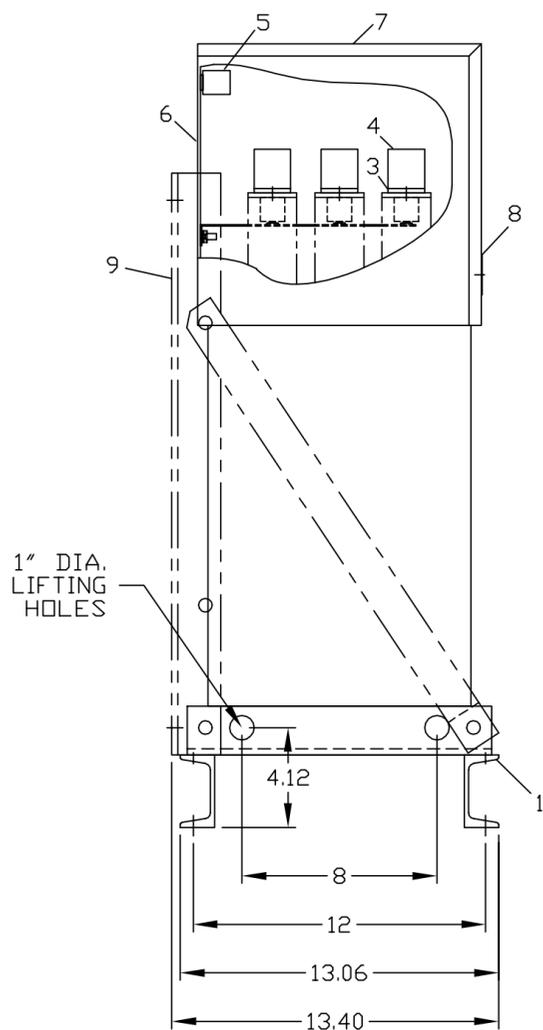
SHT

REV NO.

1

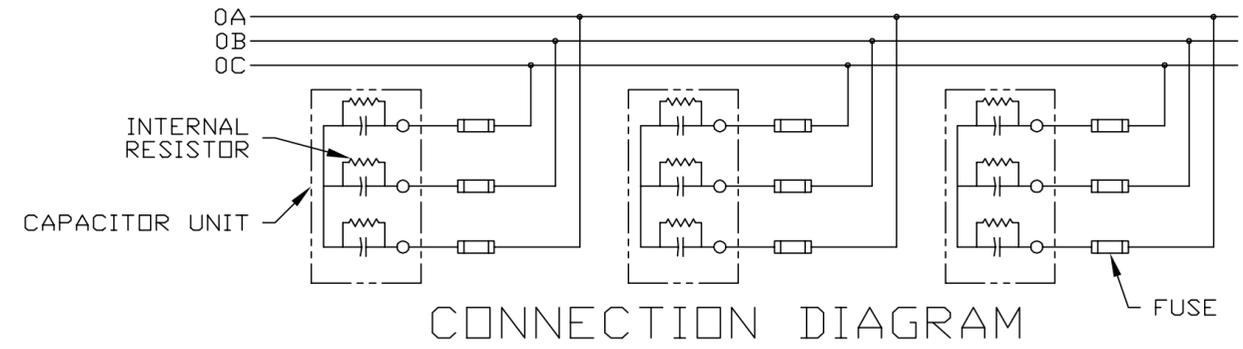
1

| REVISIONS | | | |
|-----------|-------------------|------|----------|
| REV | DESCRIPTION | DATE | APPROVED |
| 1 | UPDATE TO AUTOCAD | | KS |



NOMENCLATURE

- 1. ALUMINUM BASE FRAME
- 2. CAPACITOR UNIT
- 3. COPPER BUS BARS
- 4. LINE TERMINAL - #4/0 TO 600 MCM
- 5. GROUND TERMINAL - #6AWG TO 250 MCM
- 6. BUS ENCLOSURE
- 7. ACCESS COVER
- 8. RATING NAMEPLATE
- 9. OPTIONAL FIELD ASSEMBLED WALL MTG. FRAME



CONNECTION DIAGRAM

CAT 65L922TH2 SERNO
 KVAR 175 60Hz 3ph
 VOLT 600 DIAG 186C3233FC
 CONN Y-CONN
 Read instructions: GEH-2728

| | | |
|----------------|--|---------|
| SIGNATURES | | DATE |
| DRAWN E.McGINN | | 9/28/92 |
| CHECKED | | |
| ENGR | | |
| ISSUED | | 9/30/93 |
| CAD SYS. NO. | | |
| AUTOCAD | | |



INDUSTRIAL SYSTEMS
FORT EDWARD, N.Y., U.S.A.

OUTLINE
65L922TH2

FIRST MADE FOR:

| | | | |
|--------|----------|-------------------|-------|
| SIZE C | FSCM NO. | DWG NO. 65L922TH2 | REV 1 |
| SCALE | SHEET | CONT ON SHT | |

413
DISTR TO