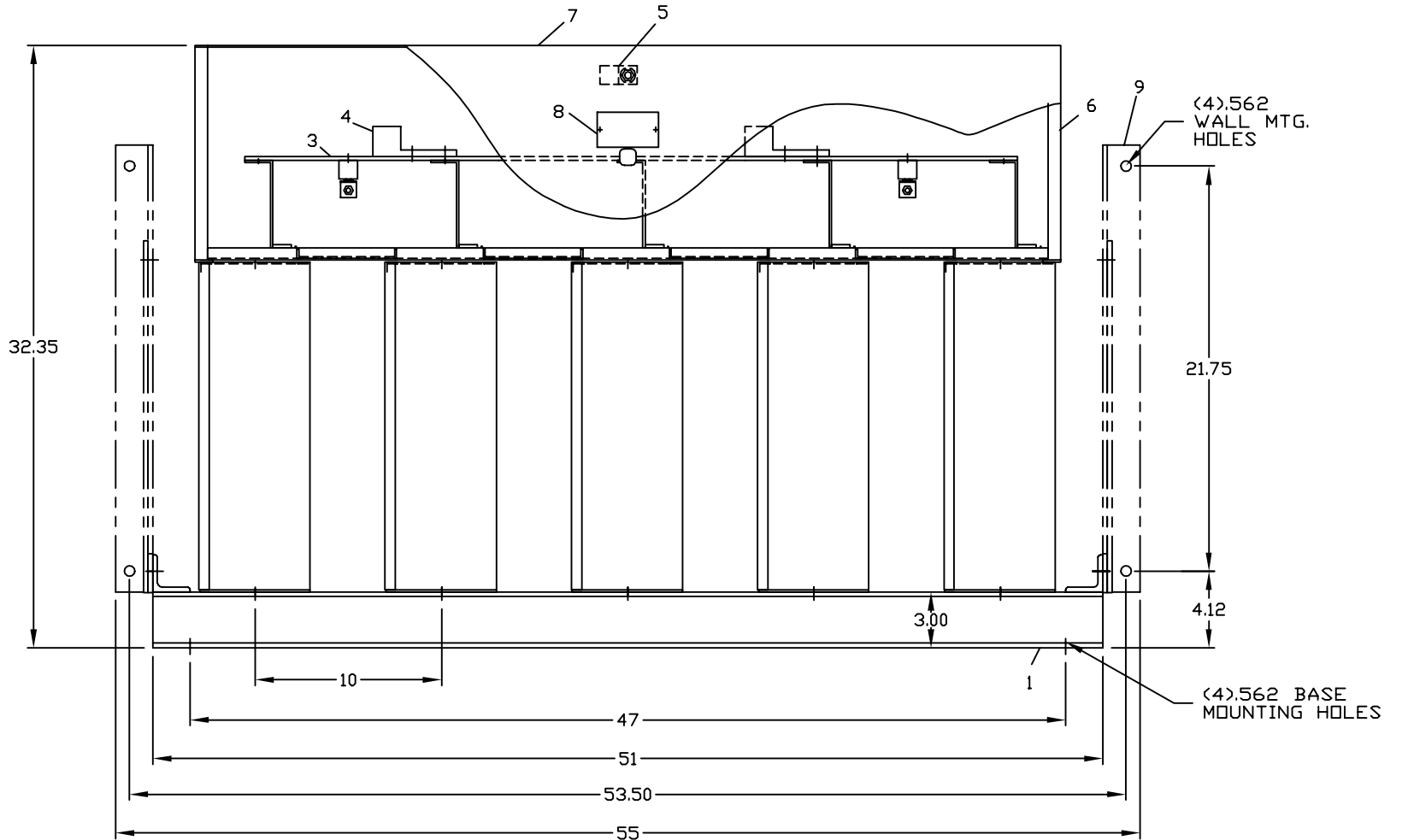
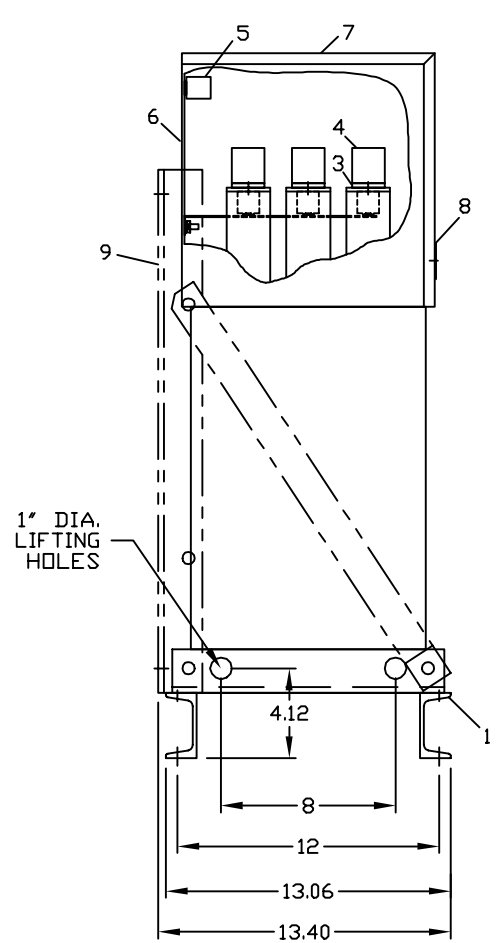


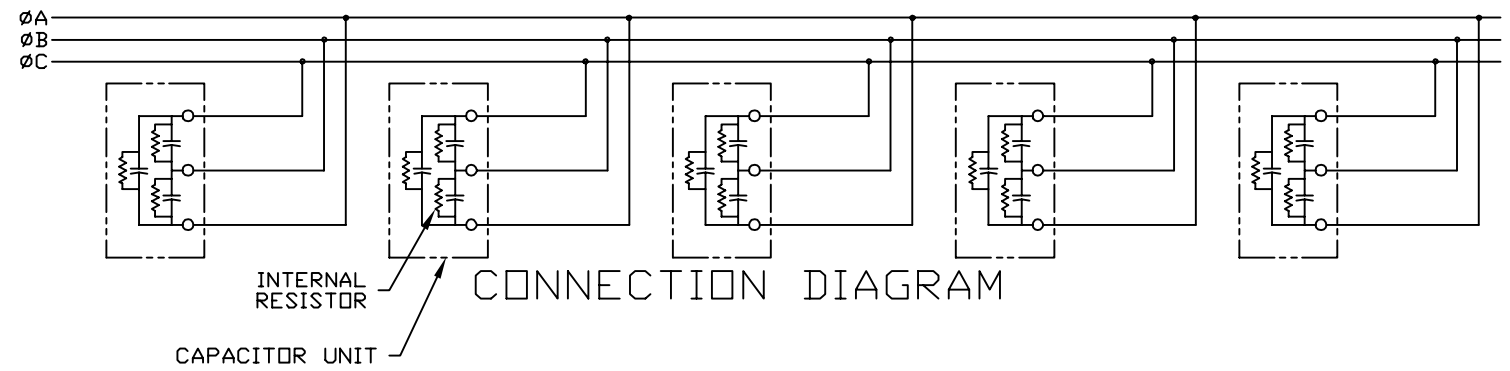
SIZE	DWG NO.	SHT	REV
C	65L922TL2	1	1

REVISIONS			
REV	DESCRIPTION	DATE	APPROVED
1	UPDATE TO AUTOCAD		FWL



- NOMENCLATURE**
1. ALUMINUM BASE FRAME
  2. CAPACITOR UNIT
  3. COPPER BUS BARS
  4. LINE TERMINAL - #4/0 TO 600 MCM
  5. GROUND TERMINAL - #6AWG TO 250 MCM
  6. BUS ENCLOSURE
  7. ACCESS COVER
  8. RATING NAMEPLATE
  9. OPTIONAL FIELD ASSEMBLED WALL MTG. FRAME



SIGNATURES		DATE	<b>INDUSTRIAL SYSTEMS</b> FORT EDWARD, N.Y., U.S.A.	
DRAWN E.McGINN		10/1/92		
CHECKED			OUTLINE <b>65L922TL2</b>	
ENGR				
ISSUED		9/30/93		
FIRST MADE FOR:				
CAD SYS. NO.	SIZE C	FSCM NO.	DWG NO. 65L922TL2	REV 1
AUTOCAD	SCALE	SHEET 1		CONT ON SHIT -

CAT 65L922TL2 SERNO  
 KVAR 175 60Hz 3ph  
 VOLT 240 DIAG 186C3233HM  
 CONN DELTA  
 Read instructions: GEH-2728

DISTR TO 413