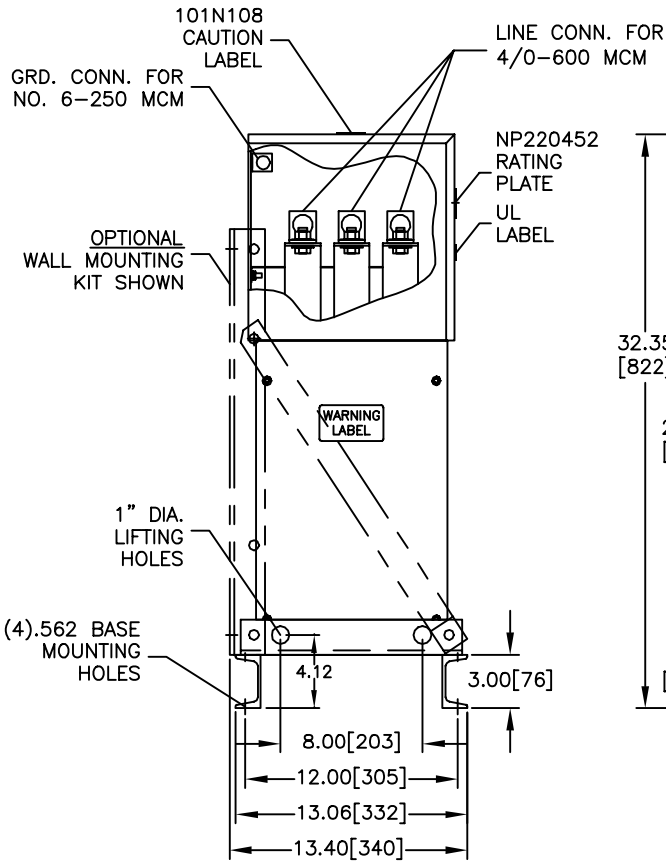
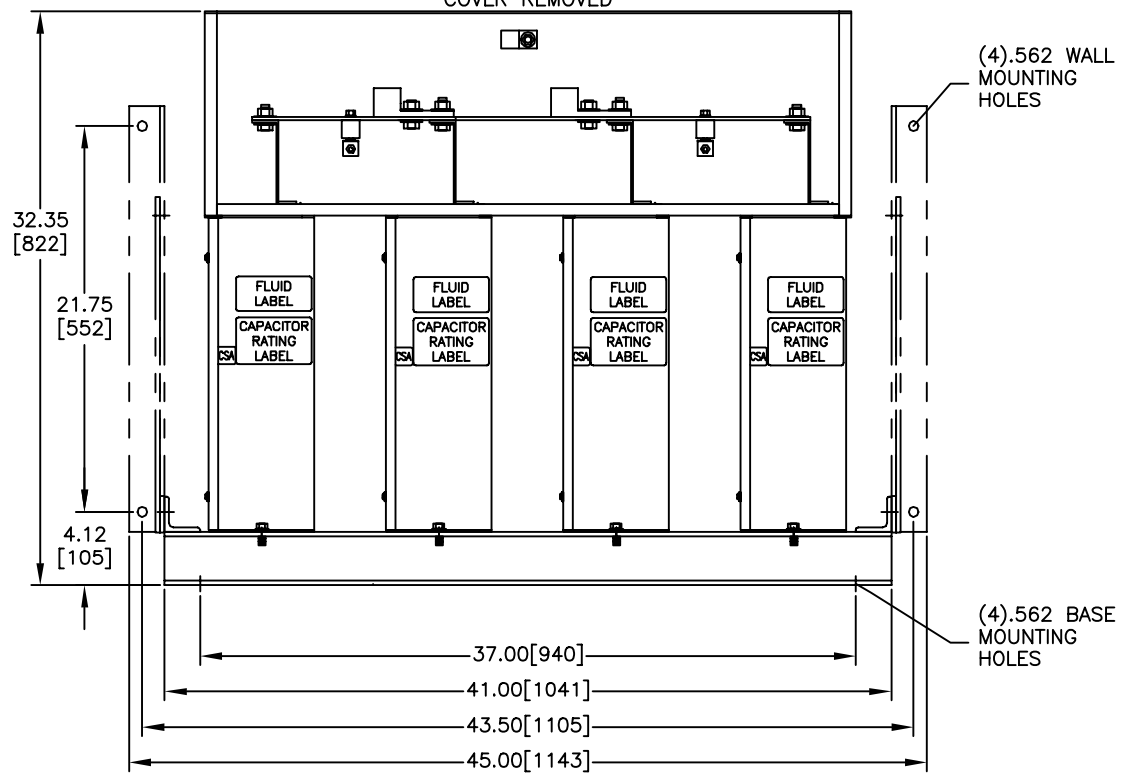


SIZE A	DWG NO 65L922TL3	SHT 2	REV
REV	DESCRIPTION	DATE	APPROVED



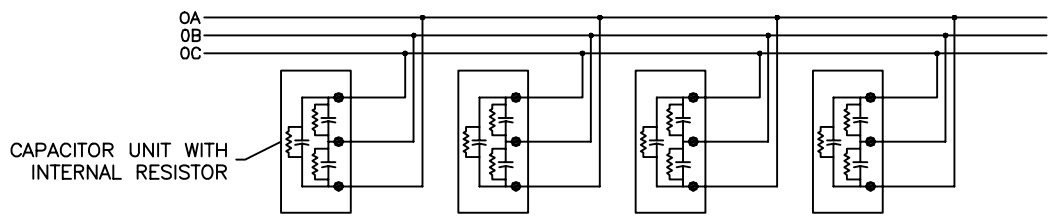
FRONT VIEW
SHOWN WITH TOP/FRONT COVER REMOVED



CAPACITOR

CAT. 65L922TL3 SER.NO.
 kVAR 175 60 Hz 3 Ph
 VOLT. 240 CONN. DELTA
 DIAG. 186C3233GM

CAUTION BEFORE INSTALLING OR OPERATING READ INST. 2738
 CAPACITOR UNITS CONTAIN CLASS III B COMBUSTIBLE LIQUID.
 CAPACITOR UNITS INCLUDE INTERNAL DISCHARGE RESISTORS.
 NP220452 FORT EDWARD, N.Y. MADE IN U.S.A.



CONNECTION DIAGRAM

INDUSTRIAL SYSTEMS FORT EDWARD, N.Y., U.S.A.	SIZE A	EST. WEIGHT: 196	<h1 style="margin: 0;">OUTLINE</h1> <h2 style="margin: 0;">65L922TL3</h2>
	SCALE	GALLONS LIQUID: 1.91	
DRAWN A.COZZENS	DATE 7/11/2003	SHEET 2	CONT ON -
ISSUED	DATE 7/16/2003		

DISTR. TO