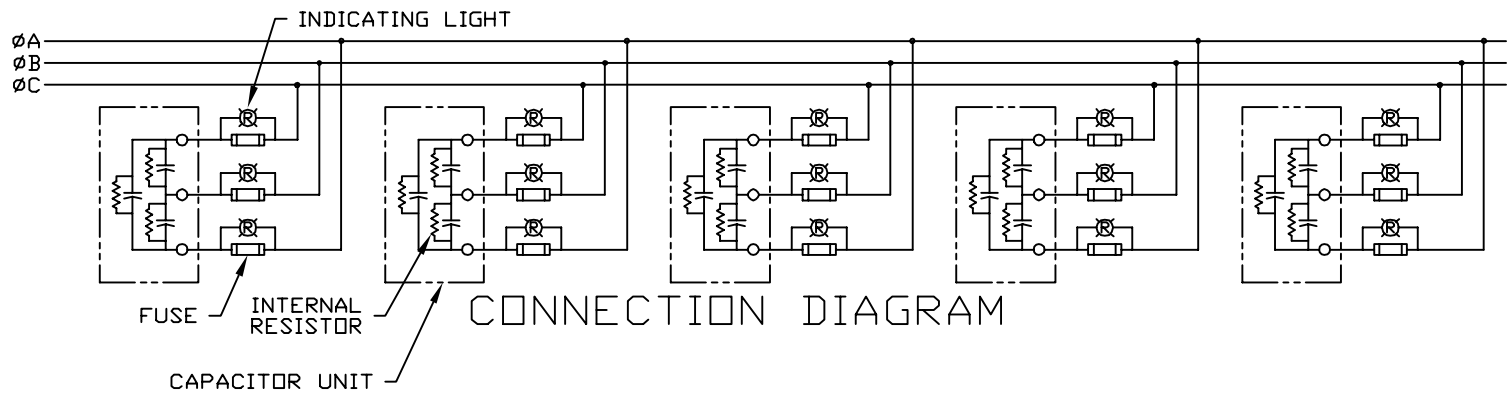
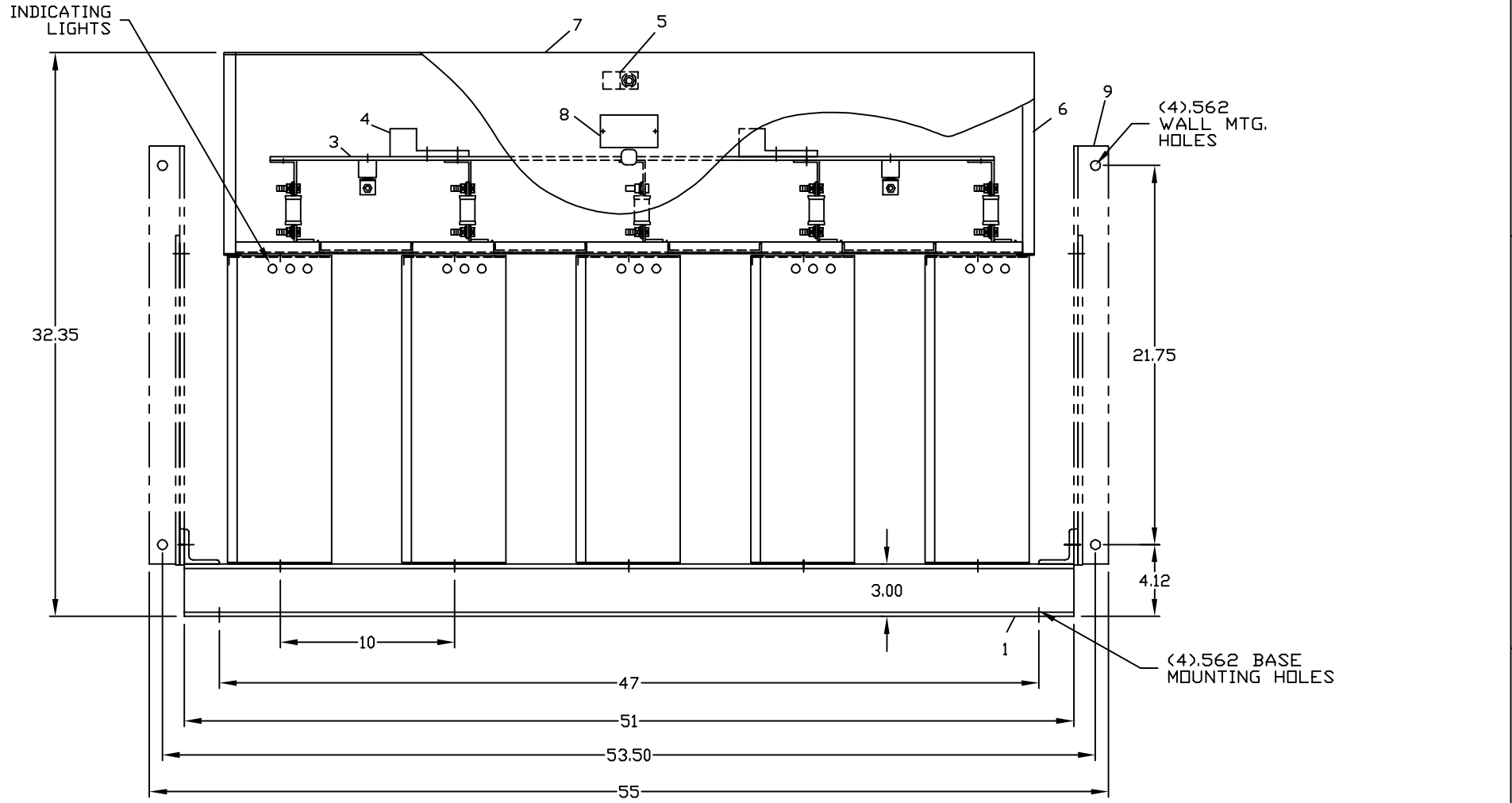
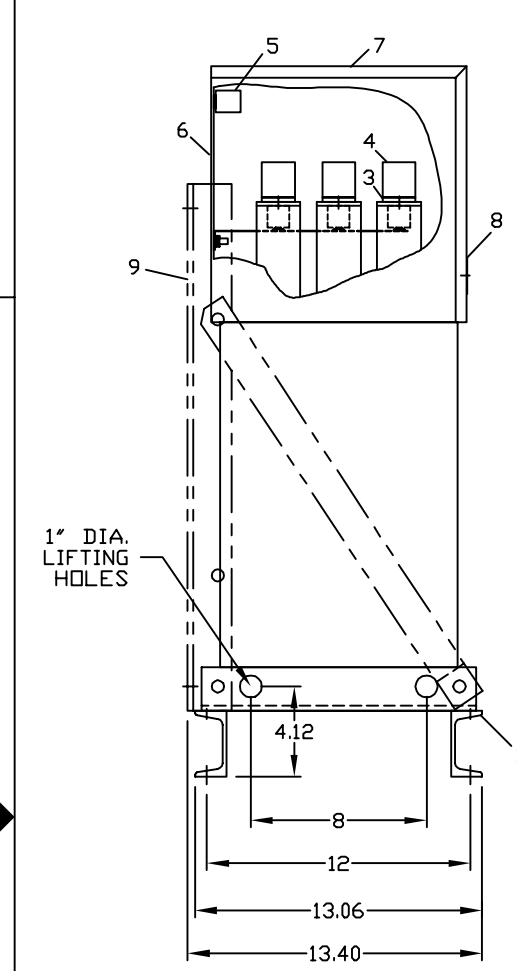


REVISIONS			
REV	DESCRIPTION	DATE	APPROVED
1	UPDATE TO AUTOCAD		FWL



- NOMENCLATURE**
1. ALUMINUM BASE FRAME
  2. CAPACITOR UNIT
  3. COPPER BUS BARS
  4. LINE TERMINAL - #4/0 TO 600 MCM
  5. GROUND TERMINAL - #6AWG TO 250 MCM
  6. BUS ENCLOSURE
  7. ACCESS COVER
  8. RATING NAMEPLATE
  9. OPTIONAL FIELD ASSEMBLED WALL MTG. FRAME

SIGNATURES		DATE	<b>INDUSTRIAL SYSTEMS</b> <b>FORT EDWARD, N.Y., U.S.A.</b>		
DRAWN E.McGINN		10/1/92			
CHECKED					
ENGR					
ISSUED		9/30/93			
FIRST MADE FOR:			<b>OUTLINE</b> <b>65L922TQ2</b>		
CAD SYS. NO.	SIZE C	FSCM NO.		DWG NO. 65L922TQ2	REV 1
AUTOCAD	SCALE	SHEET 1		CONT ON SHT -	DISTR TO 413

CAT 65L922TQ2 SERNO  
 KVAR 175 60Hz 3ph  
 VOLT 240 DIAG 186C3233HB  
 CONN DELTA  
 Read instructions: GEH-2728