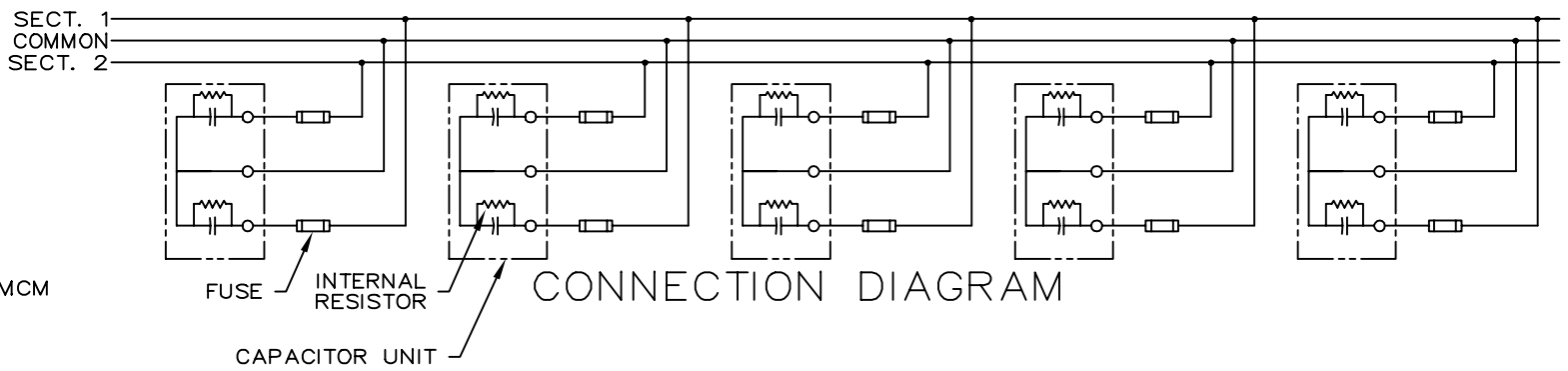
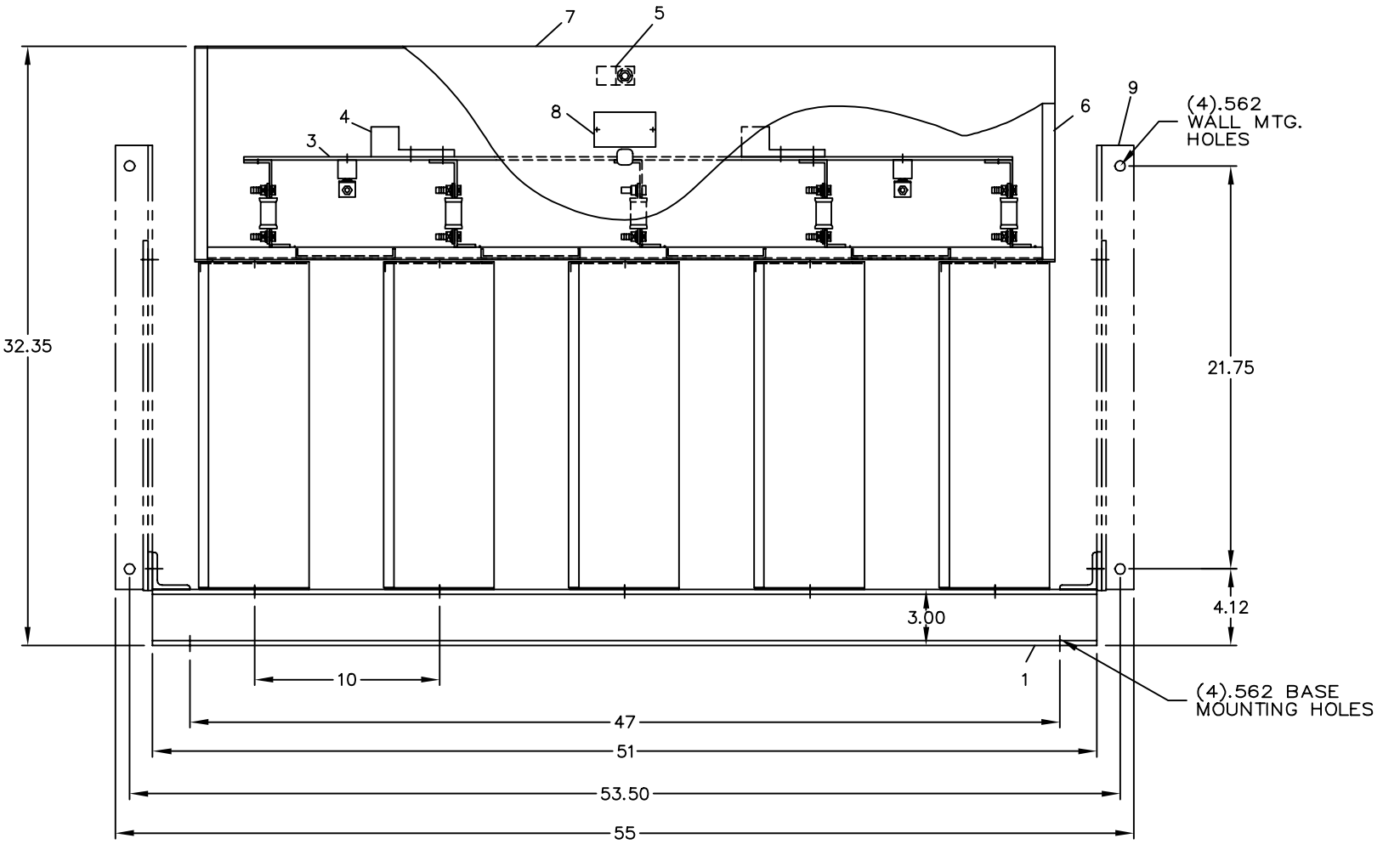
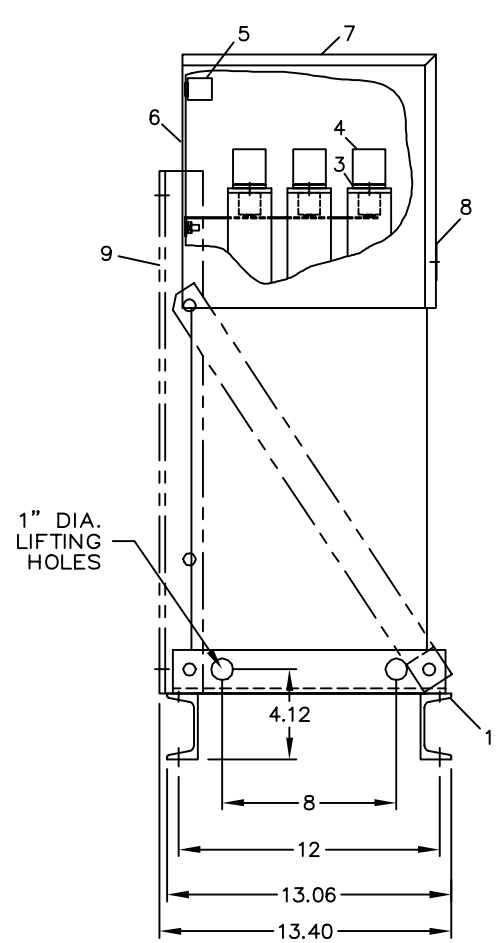


REVISIONS			
REV	DESCRIPTION	DATE	APPROVED
1	UPDATE TO AUTOCAD		FWL



- NOMENCLATURE**
1. ALUMINUM BASE FRAME
 2. CAPACITOR UNIT
 3. COPPER BUS BARS
 4. LINE TERMINAL - #4/O TO 600 MCM
 5. GROUND TERMINAL - #6AWG TO 250 MCM
 6. BUS ENCLOSURE
 7. ACCESS COVER
 8. RATING NAMEPLATE
 9. OPTIONAL FIELD ASSEMBLED WALL MTG. FRAME

SIGNATURES		DATE	INDUSTRIAL SYSTEMS FORT EDWARD, N.Y., U.S.A.	
DRAWN E.McGINN		10/1/92	OUTLINE 65L922TY2	
CHECKED				
ENGR				
ISSUED		9/30/93		
CAD SYS. NO.		AUTOCAD	SIZE C	FSCM NO.
			DWG NO. 65L922TY2	REV 1
			SCALE	SHEET 1
				CONT ON SHT -

CAT 65L922TY2 SERNO
 KVAR 175 60Hz 1ph
 VOLT 240 DIAG 186C323HK
 CONN CDM CTR
 Read instructions: GEH-2728

413
DISTR TO