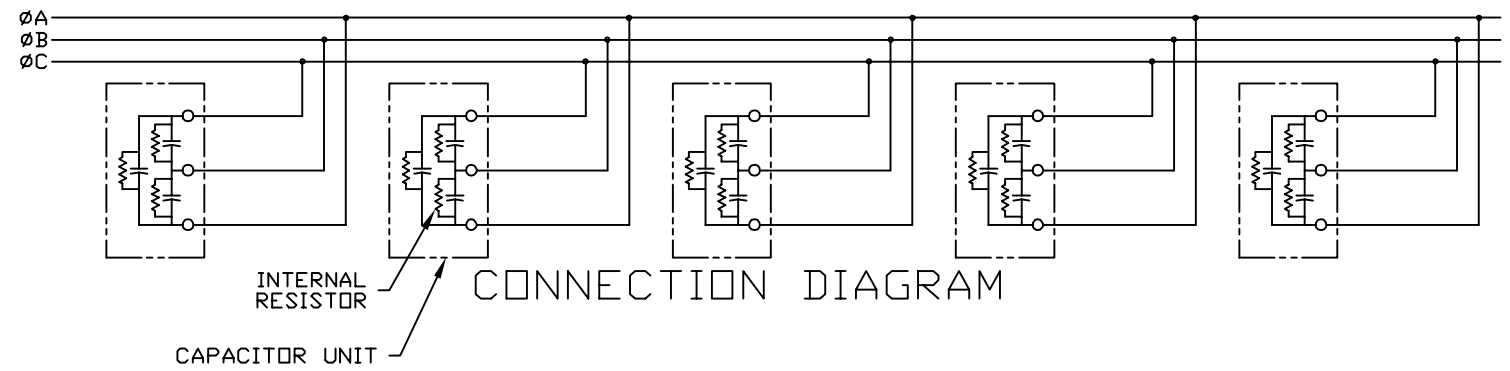
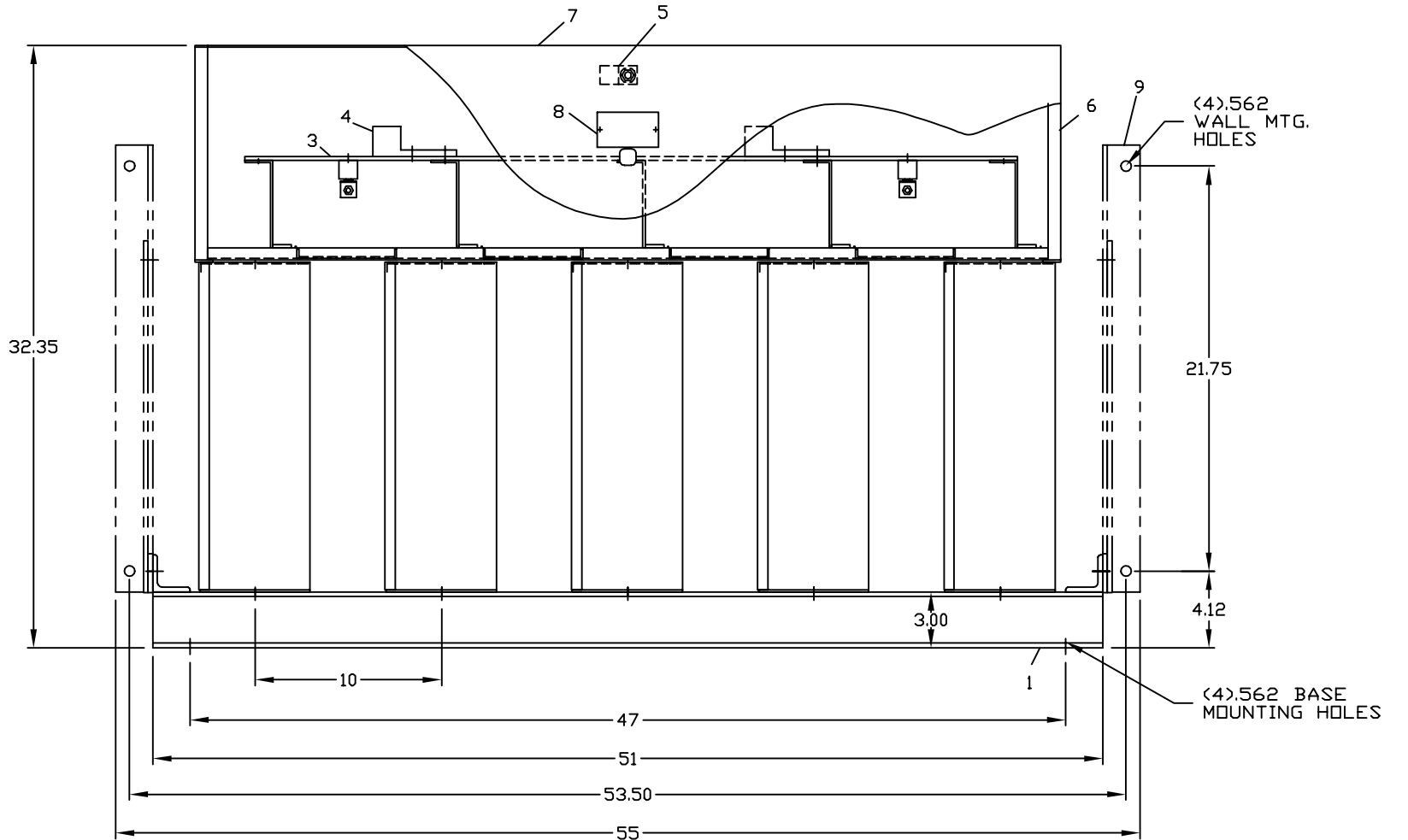
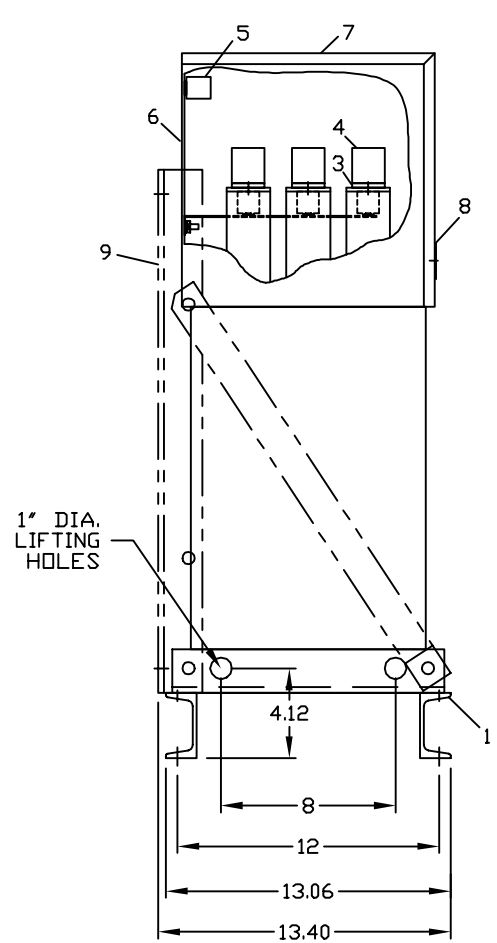


SIZE	DWG NO.	SHT	REV	1
C	65L923TL2	1	1	1
REVISIONS				
REV	DESCRIPTION	DATE	APPROVED	
1	UPDATE TO AUTOCAD		FWL	



- NOMENCLATURE**
1. ALUMINUM BASE FRAME
  2. CAPACITOR UNIT
  3. COPPER BUS BARS
  4. LINE TERMINAL - #4/0 TO 600 MCM
  5. GROUND TERMINAL - #6AWG TO 250 MCM
  6. BUS ENCLOSURE
  7. ACCESS COVER
  8. RATING NAMEPLATE
  9. OPTIONAL FIELD ASSEMBLED WALL MTG. FRAME

SIGNATURES		DATE		<b>INDUSTRIAL SYSTEMS</b> FORT EDWARD, N.Y., U.S.A.  OUTLINE 65L923TL2	413
DRAWN E.McGINN		10/1/92			
CHECKED					
ENGR					
ISSUED		9/30/93			
FIRST MADE FOR:					
CAD SYS. NO.		SIZE C	FSCM NO.	DWG NO. 65L923TL2	REV 1
AUTOCAD		SCALE	SHEET 1		CONT ON SHIT -

CAT 65L923TL2 SERNO  
 KVAR 180 60Hz 3ph  
 VOLT 240 DIAG 186C3233HM  
 CONN DELTA  
 Read instructions: GEH-2728