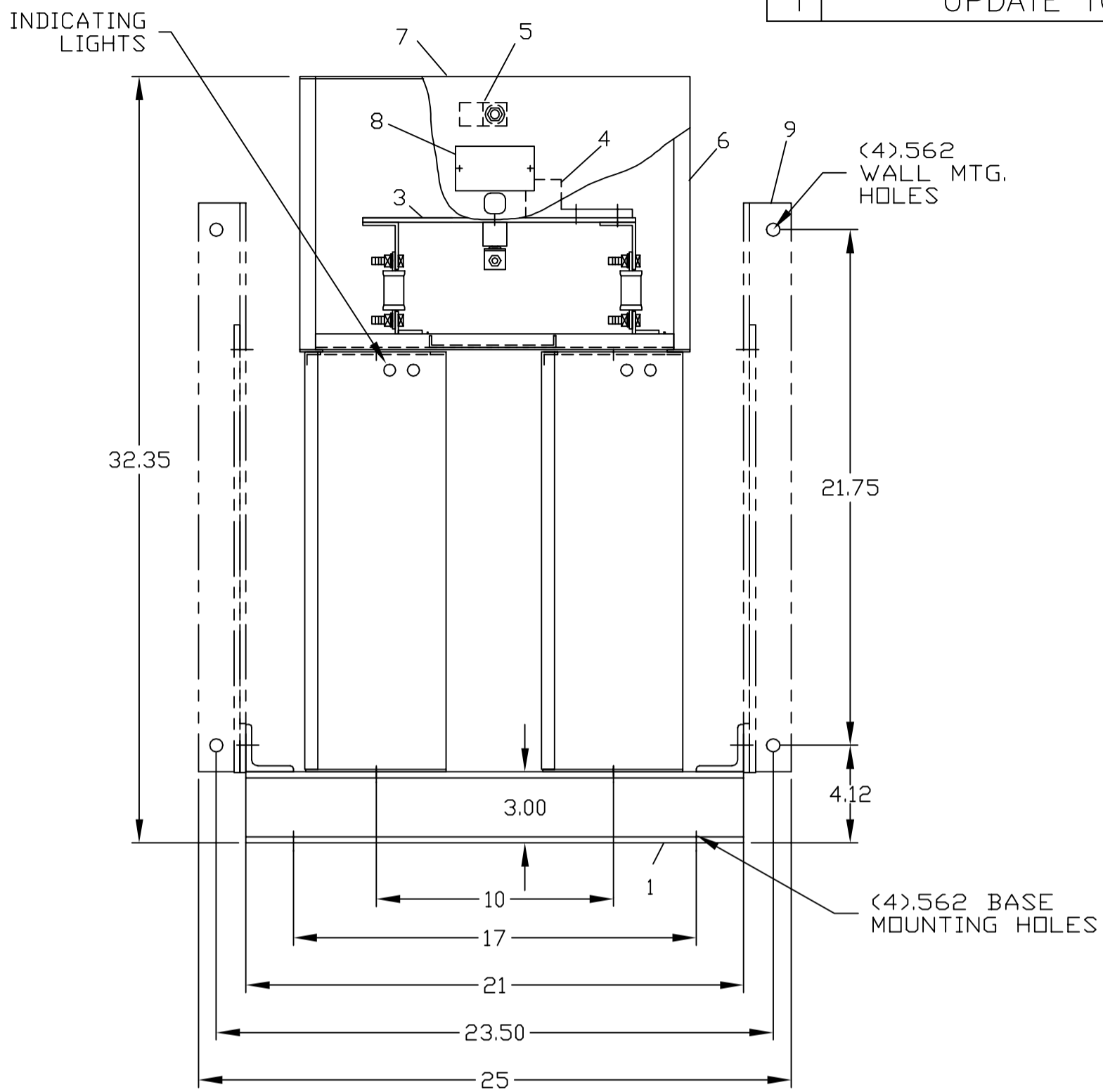
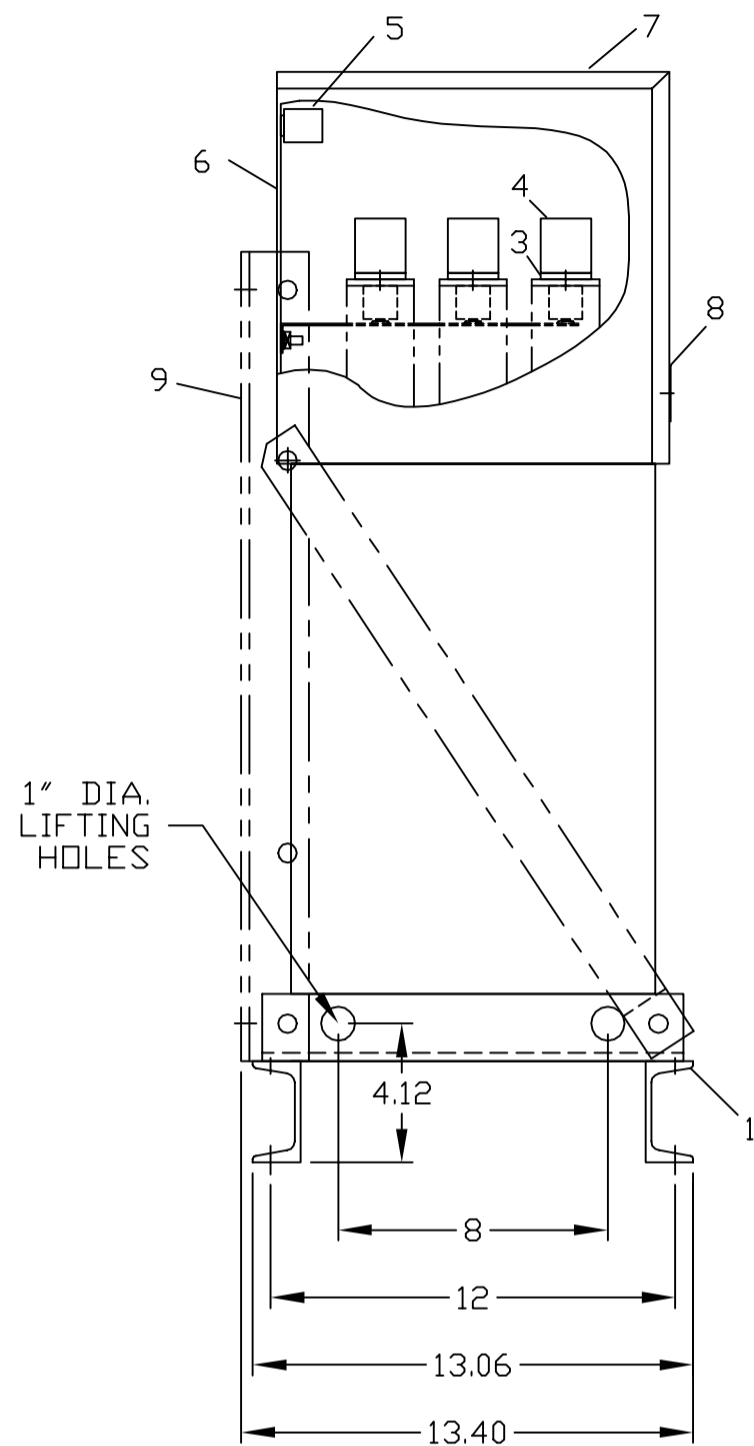


4

3

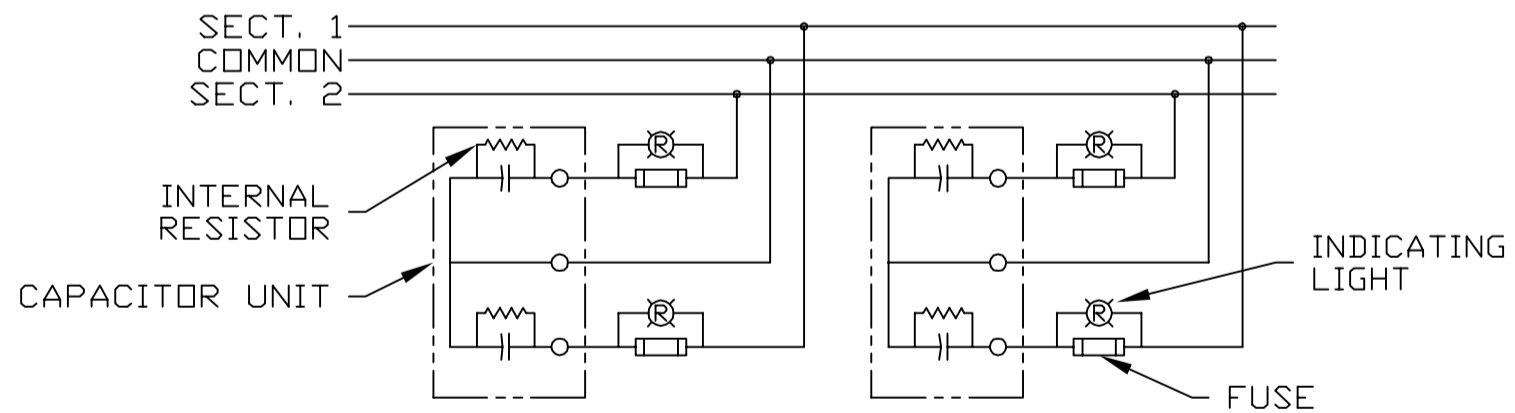
2

SIZE C	DWG NO. 65L923TT2	SHT 1	REV 1	1
REVISIONS				
REV	DESCRIPTION	DATE	APPROVED	
1	UPDATE TO AUTOCAD		KS	



NOMENCLATURE

- 1. ALUMINUM BASE FRAME
- 2. CAPACITOR UNIT
- 3. COPPER BUS BARS
- 4. LINE TERMINAL - #4/0 TO 600 MCM
- 5. GROUND TERMINAL - #6AWG TO 250 MCM
- 6. BUS ENCLOSURE
- 7. ACCESS COVER
- 8. RATING NAMEPLATE
- 9. OPTIONAL FIELD ASSEMBLED WALL MTG. FRAME



CONNECTION DIAGRAM

CAT	65L923TT2	SERNO	
KVAR	180	60Hz	1ph
VOLT	480	DIAG	186C3233EG
		CONN	COM CTR
Read instructions: GEH-2728			

SIGNATURES		DATE
DRAWN E.McGINN		9/24/92
CHECKED		
ENGR		
ISSUED		9/30/93
CAD SYS. NO.		
AUTOCAD		

 **INDUSTRIAL SYSTEMS**  
FORT EDWARD, N.Y., U.S.A.

OUTLINE  
65L923TT2

FIRST MADE FOR:

SIZE C	FSCM NO.	DWG NO. 65L923TT2	REV 1
SCALE	SHEET	CONT ON SHT	

413

DISTR TO

4

3

2

1