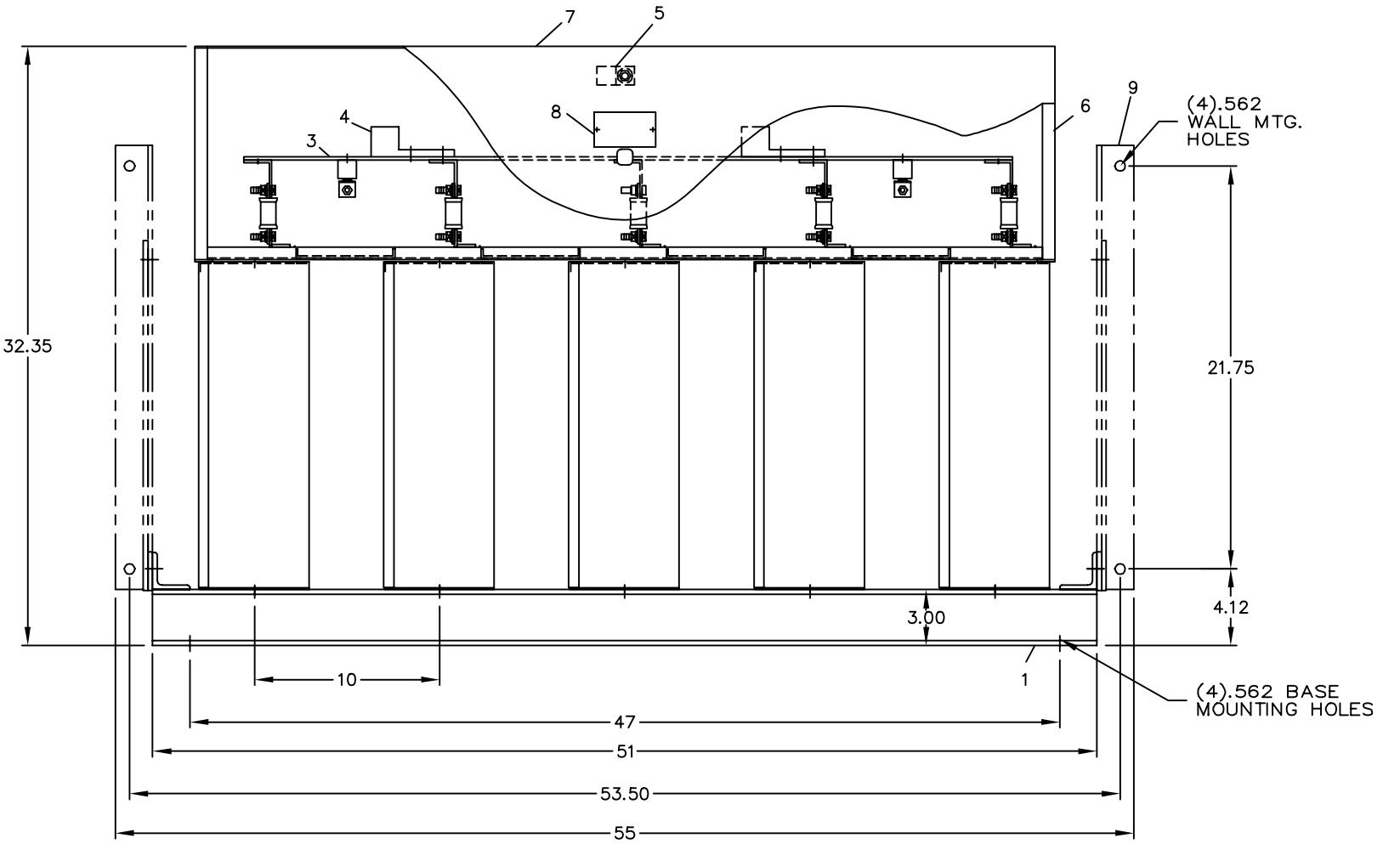
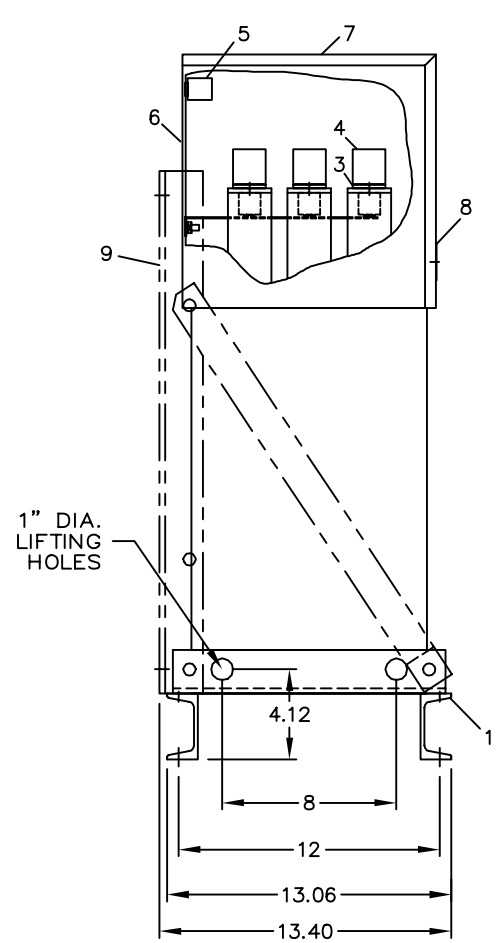
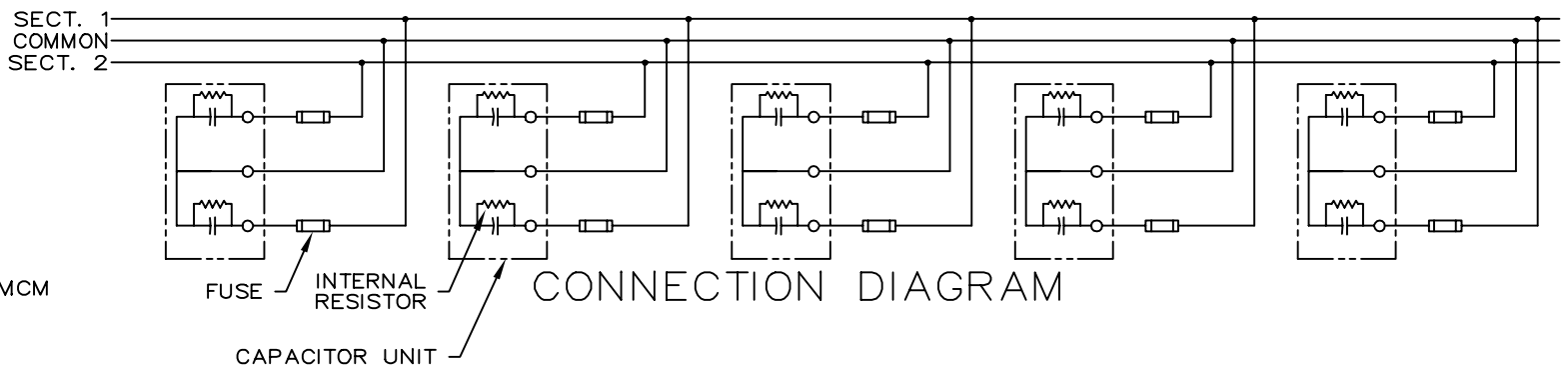


REVISIONS			
REV	DESCRIPTION	DATE	APPROVED
1	UPDATE TO AUTOCAD		FWL



- NOMENCLATURE**
1. ALUMINUM BASE FRAME
 2. CAPACITOR UNIT
 3. COPPER BUS BARS
 4. LINE TERMINAL - #4/0 TO 600 MCM
 5. GROUND TERMINAL - #6AWG TO 250 MCM
 6. BUS ENCLOSURE
 7. ACCESS COVER
 8. RATING NAMEPLATE
 9. OPTIONAL FIELD ASSEMBLED WALL MTG. FRAME



SIGNATURES		DATE	INDUSTRIAL SYSTEMS FORT EDWARD, N.Y., U.S.A.
DRAWN E.McGINN		10/1/92	
CHECKED			
ENGR			
ISSUED		9/30/93	
FIRST MADE FOR:			OUTLINE 65L923TY2
CAD SYS. NO.	SIZE C	FSCM NO.	
AUTOCAD	SCALE	DWG NO. 65L923TY2	
		SHEET 1	CONT ON SHT - DISTR TO 413

CAT 65L923TY2 SERNO
 KVAR 180 60Hz 1ph
 VOLT 240 DIAG 186C323HK
 CONN CDM CTR
 Read instructions: GEH-2728