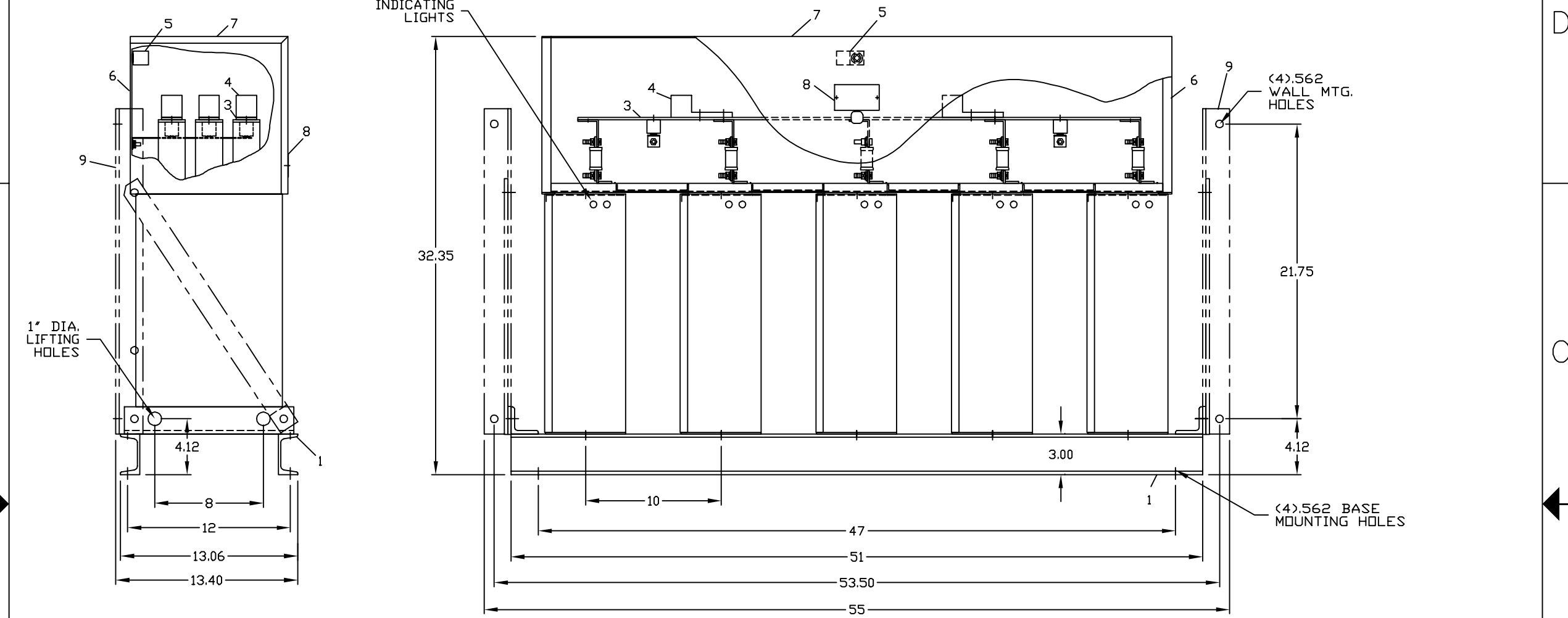
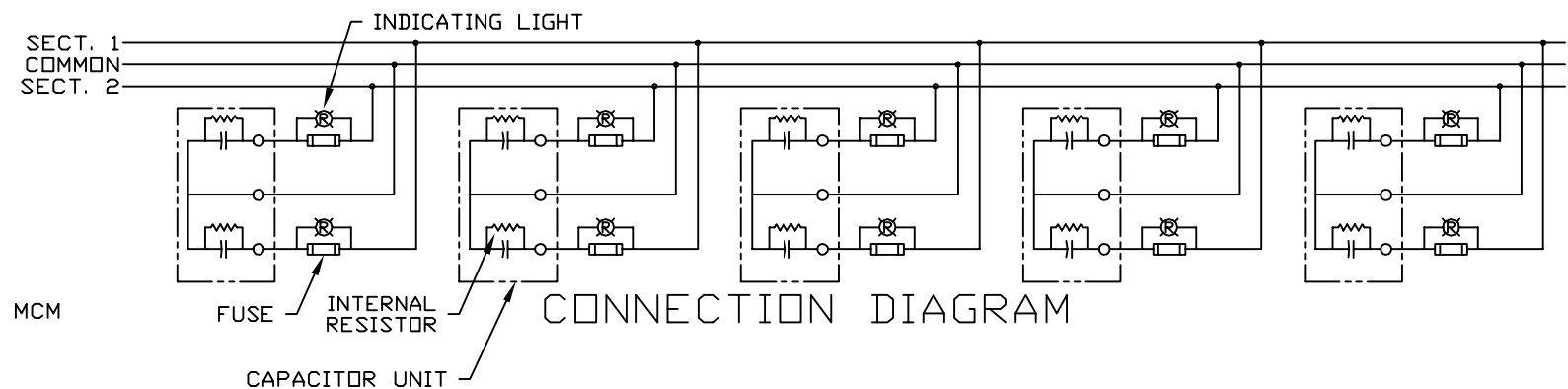


| REVISIONS | | | |
|-----------|-------------------|------|----------|
| REV | DESCRIPTION | DATE | APPROVED |
| 1 | UPDATE TO AUTOCAD | | FWL |



- NOMENCLATURE**
1. ALUMINUM BASE FRAME
 2. CAPACITOR UNIT
 3. COPPER BUS BARS
 4. LINE TERMINAL - #4/0 TO 600 MCM
 5. GROUND TERMINAL - #6AWG TO 250 MCM
 6. BUS ENCLOSURE
 7. ACCESS COVER
 8. RATING NAMEPLATE
 9. OPTIONAL FIELD ASSEMBLED WALL MTG. FRAME



| | | | | |
|----------------------|--|-----------------|-------------------|---|
| SIGNATURES | | DATE | | INDUSTRIAL SYSTEMS FORT EDWARD, N.Y., U.S.A. |
| DRAWN E.McGINN | | 10/1/92 | | |
| CHECKED | | | | |
| ENGR | | | | |
| ISSUED | | 9/30/93 | | |
| OUTLINE 65L923TZ2 | | | | 413 |
| FIRST MADE FOR: | | | | |
| CAD SYS. NO. | | SIZE C FSCM NO. | DWG NO. 65L923TZ2 | |
| AUTOCAD | | SCALE | SHEET 1 | CONT ON SHT - |

CAT 65L923TZ2 SERNO
 KVAR 180 60Hz 1ph
 VOLT 240 DIAG 186C3233HG
 CONN CDM CTR
 Read instructions: GEH-2728