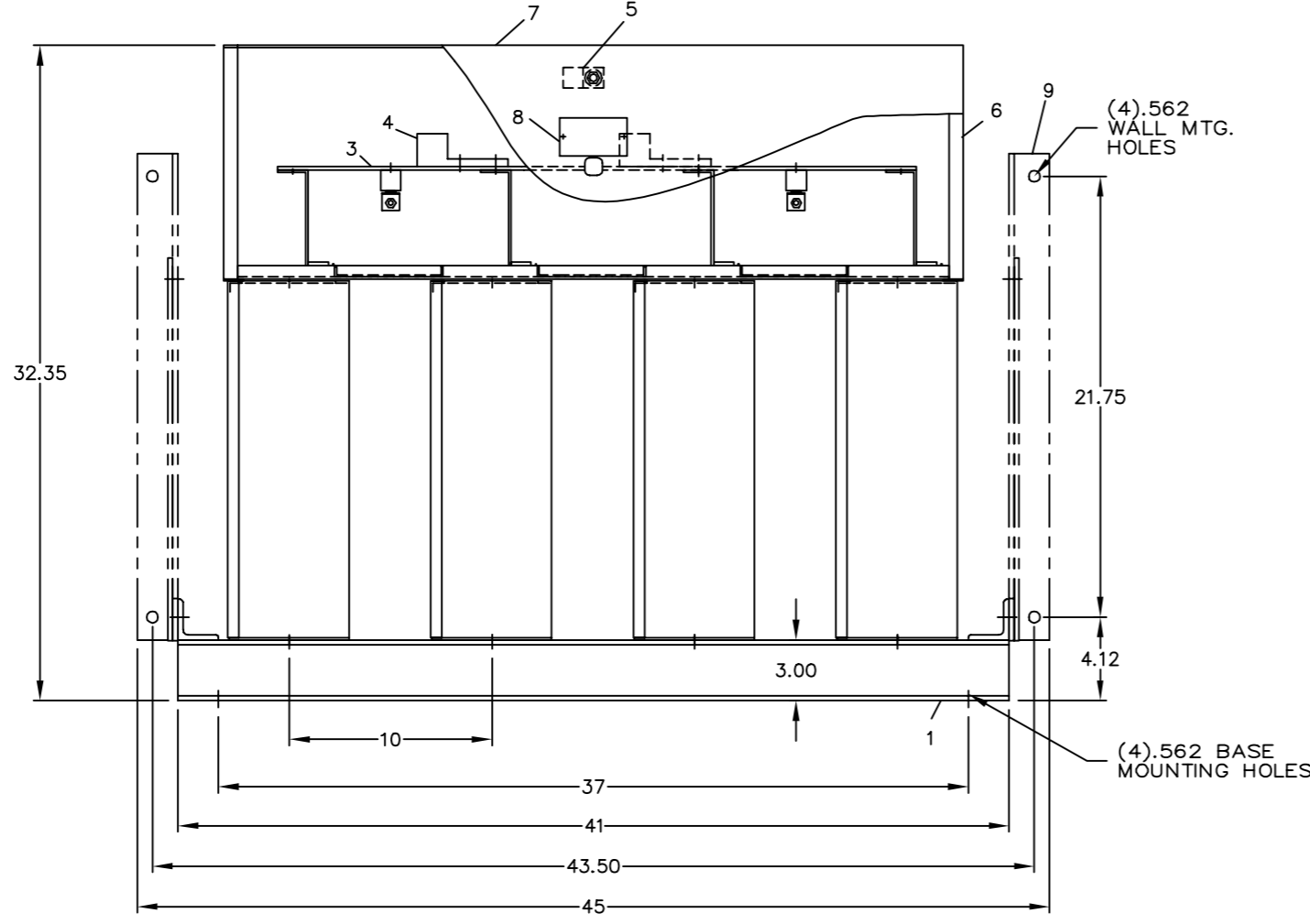
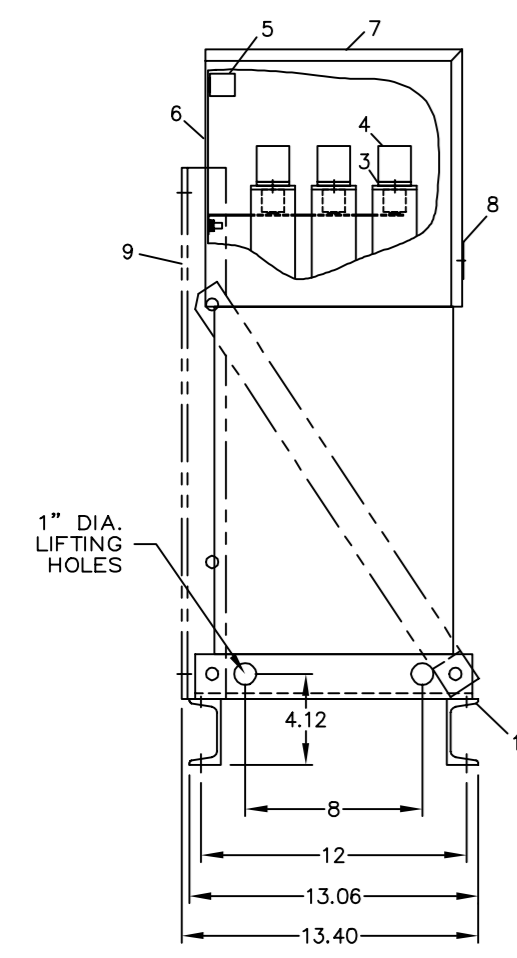
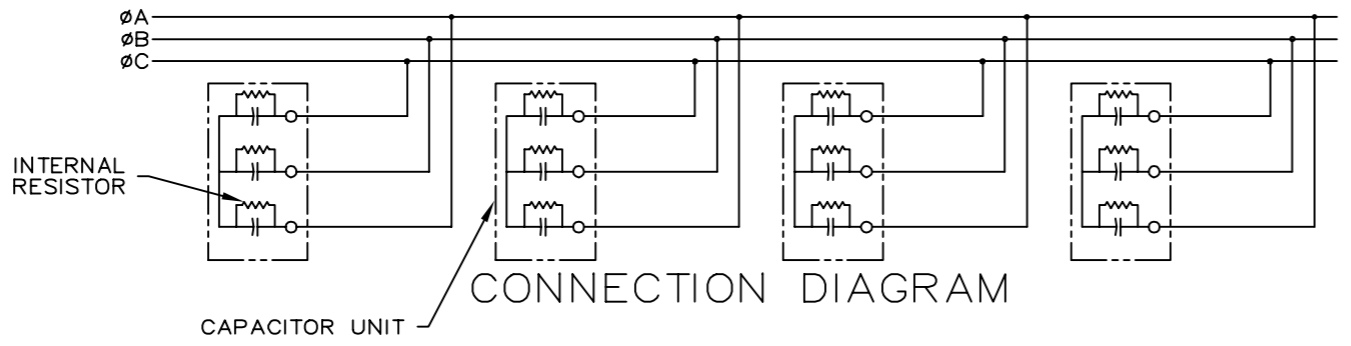


REVISIONS			
REV	DESCRIPTION	DATE	APPROVED
1	UPDATE TO AUTOCAD		FWL



- NOMENCLATURE**
1. ALUMINUM BASE FRAME
 2. CAPACITOR UNIT
 3. COPPER BUS BARS
 4. LINE TERMINAL - #4/0 TO 600 MCM
 5. GROUND TERMINAL - #6AWG TO 250 MCM
 6. BUS ENCLOSURE
 7. ACCESS COVER
 8. RATING NAMEPLATE
 9. OPTIONAL FIELD ASSEMBLED WALL MTG. FRAME



SIGNATURES		DATE		INDUSTRIAL SYSTEMS FORT EDWARD, N.Y., U.S.A. OUTLINE 65L924TF2 FIRST MADE FOR:	
DRAWN E.McGINN		9/30/00			
CHECKED					
ENGR					
ISSUED		9/30/00			
CAD SYS. NO.		SIZE C	FSCM NO.	DWG NO. 65L924TF2	REV 1
AUTOCAD		SCALE		SHEET 1	CONT ON SHT -

CAT 65L924TF2 SERNO
 KVAR 190 60Hz 3ph
 VOLT 600 DIAG 186C3233GL
 CONN Y-CONN
 Read instructions: GEH-2728

DISTR TO 413