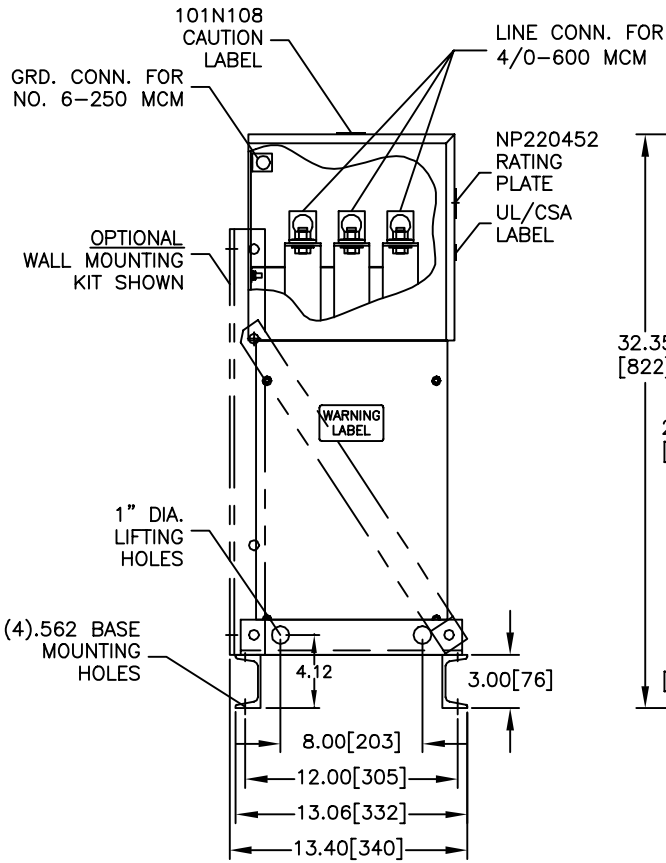
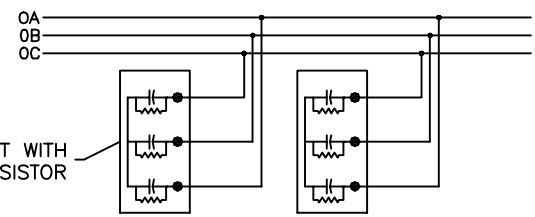
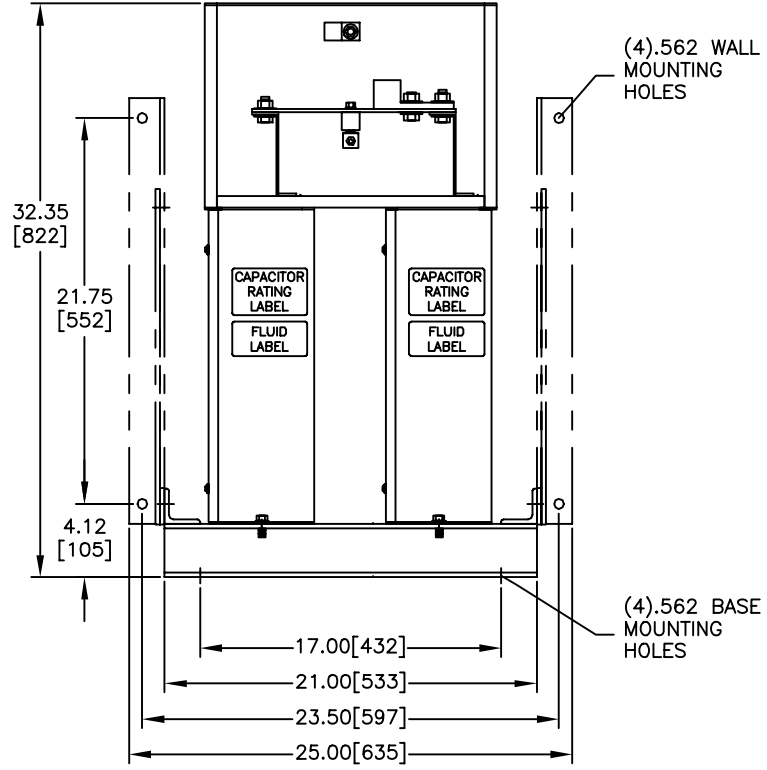


SIZE A	DWG NO 65L924TF3	SHT 2	REV
REV	DESCRIPTION	DATE	APPROVED



FRONT VIEW  
SHOWN WITH TOP/FRONT COVER REMOVED



CONNECTION DIAGRAM

## CAPACITOR

CAT. 65L924TF3      SER.NO.

kVAR 190      60 Hz      3 Ph

VOLT. 600      CONN. WYE

DIAG. 186C3233EL

**CAUTION** BEFORE INSTALLING OR OPERATING READ INST. 2738

CAPACITOR UNITS CONTAIN CLASS III B COMBUSTIBLE LIQUID.  
CAPACITOR UNITS INCLUDE INTERNAL DISCHARGE RESISTORS.  
NP220452      FORT EDWARD, N.Y.      MADE IN U.S.A.

<b>INDUSTRIAL SYSTEMS</b> FORT EDWARD, N.Y., U.S.A.	SIZE <b>A</b>	EST. WEIGHT: 97	<h1 style="margin: 0;">OUTLINE</h1> <h2 style="margin: 0;">65L924TF3</h2>
	DRAWN    A.Cozzens      DATE    6/26/2003	GALLONS LIQUID: 0.98	
ISSUED	DATE    7/9/2003	SHEET    2	CONT ON    —

DISTR. TO