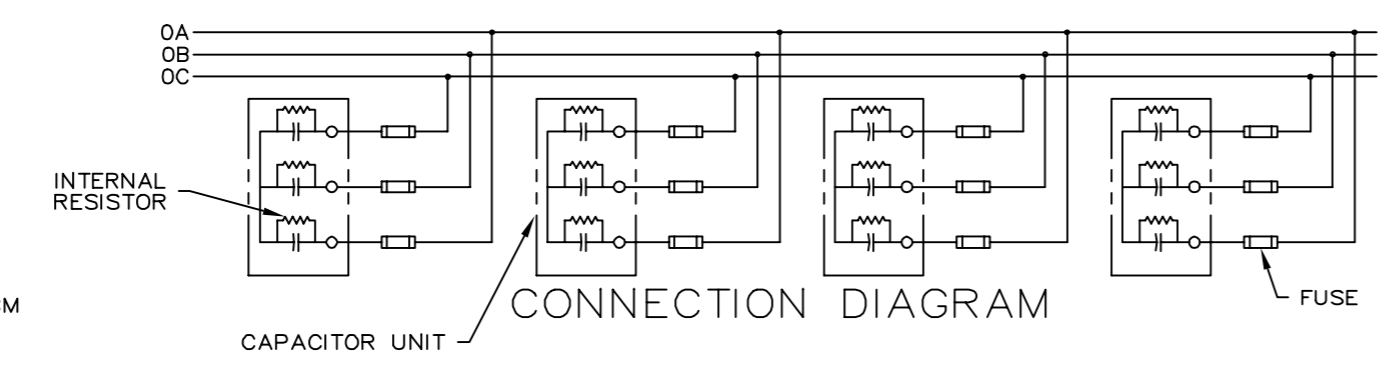
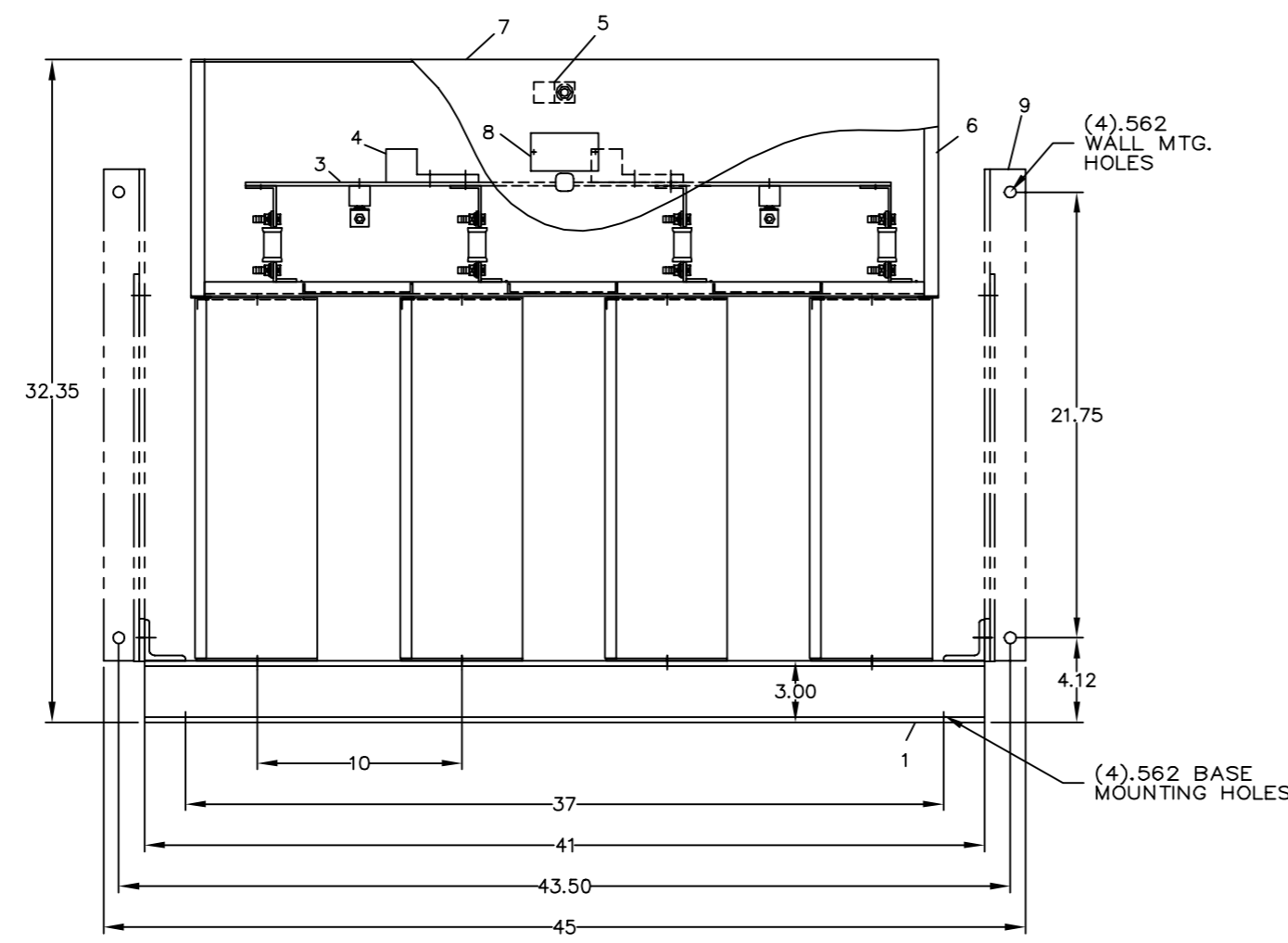
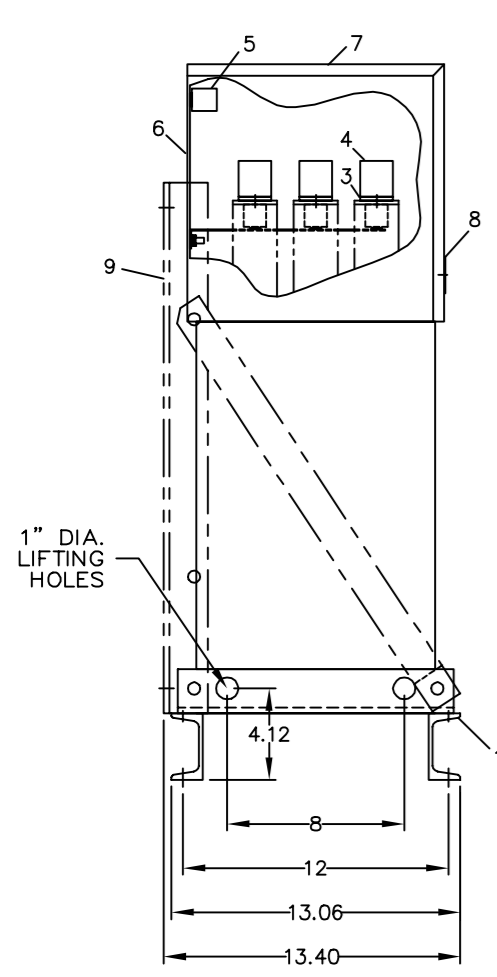


REVISIONS			
REV	DESCRIPTION	DATE	APPROVED
1	UPDATE TO AUTOCAD		EJM



- NOMENCLATURE**
1. ALUMINUM BASE FRAME
 2. CAPACITOR UNIT
 3. COPPER BUS BARS
 4. LINE TERMINAL - #4/0 TO 600 MCM
 5. GROUND TERMINAL - #6AWG TO 250 MCM
 6. BUS ENCLOSURE
 7. ACCESS COVER
 8. RATING NAMEPLATE
 9. OPTIONAL FIELD ASSEMBLED WALL MTG. FRAME

SIGNATURES		DATE		INDUSTRIAL SYSTEMS FORT EDWARD, N.Y., U.S.A.	
DRAWN E.McGINN		9-30-93			
CHECKED				OUTLINE 65L924TH2 FIRST MADE FOR:	
ENGR					
ISSUED		9-30-93			
CAD SYS. NO.		SIZE C	FSCM NO.	DWG NO. 65L924TH2	REV 1
AUTOCAD		SCALE		SHEET 1	CONT ON SHT -

CAT 65L924TH2 SERNO
 KVAR 190 60Hz 3ph
 VOLT 600 DIAG 186C3233GC
 CONN Y-CONN
 Read instructions: GEH-2728

413
DISTR TO