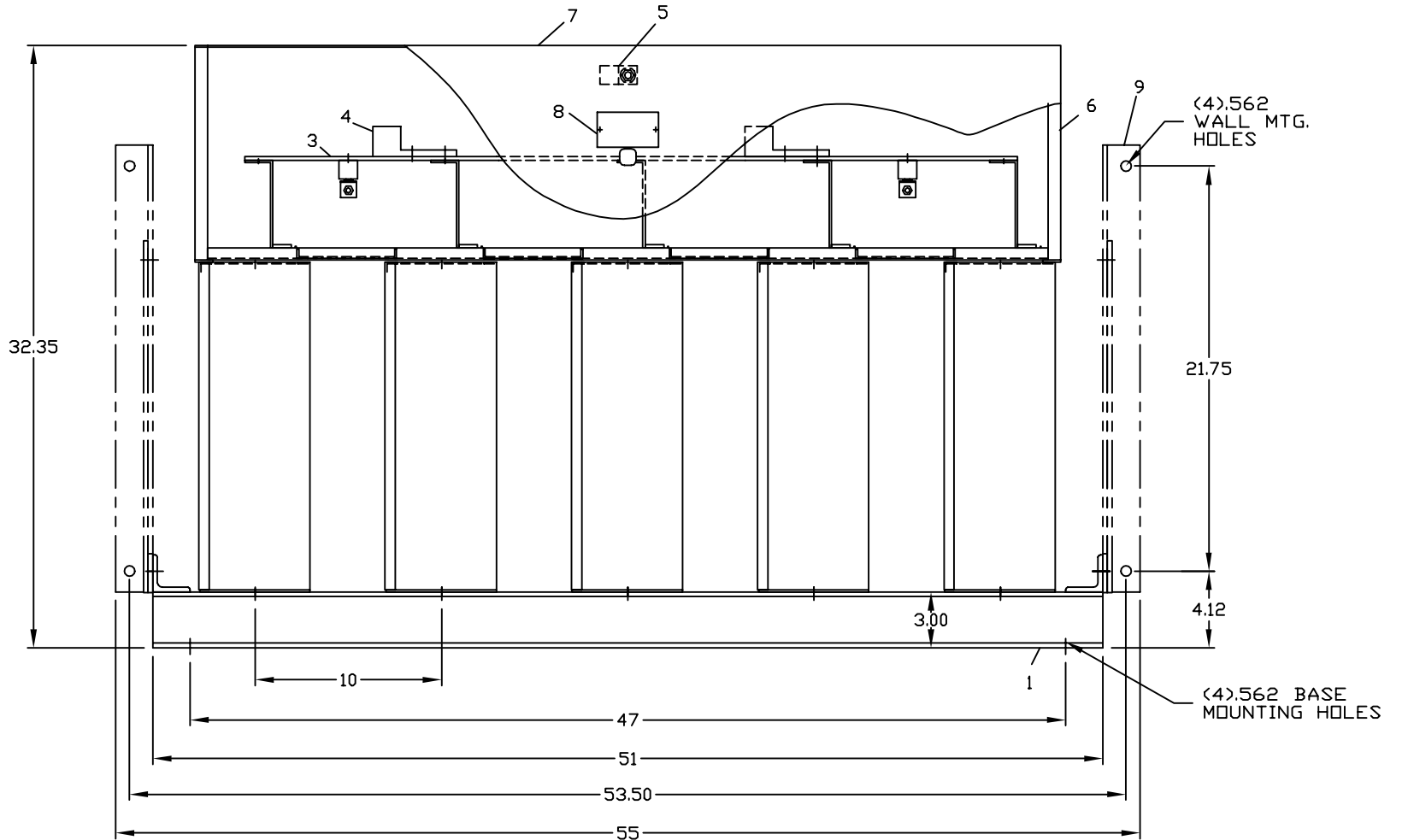
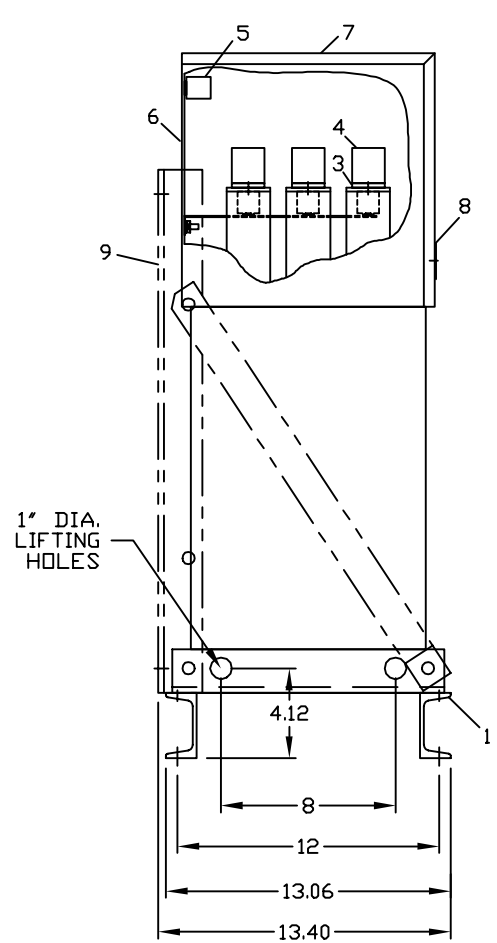
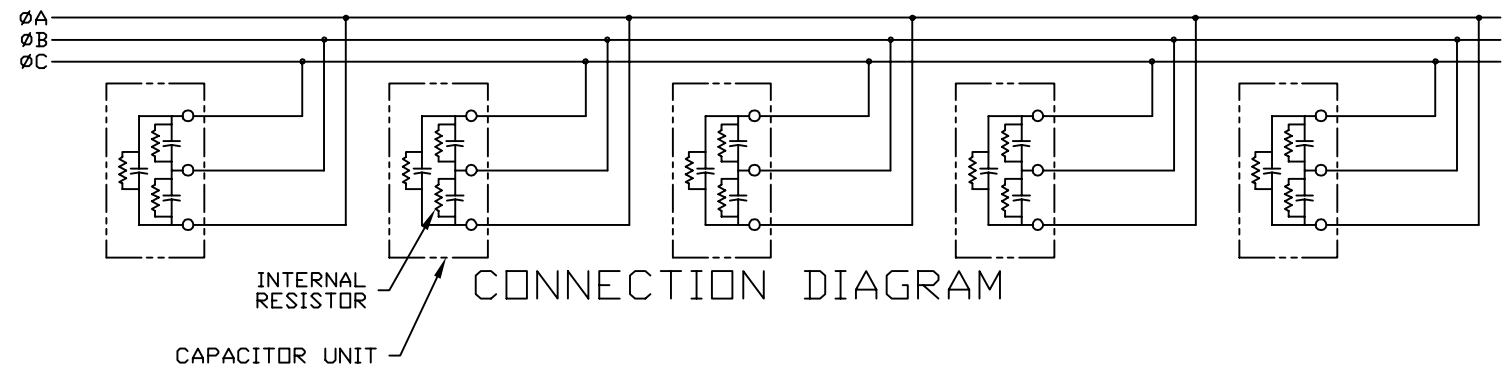


REVISIONS			
REV	DESCRIPTION	DATE	APPROVED
1	UPDATE TO AUTOCAD		FWL



- NOMENCLATURE**
1. ALUMINUM BASE FRAME
  2. CAPACITOR UNIT
  3. COPPER BUS BARS
  4. LINE TERMINAL - #4/0 TO 600 MCM
  5. GROUND TERMINAL - #6AWG TO 250 MCM
  6. BUS ENCLOSURE
  7. ACCESS COVER
  8. RATING NAMEPLATE
  9. OPTIONAL FIELD ASSEMBLED WALL MTG. FRAME



SIGNATURES		DATE		<b>INDUSTRIAL SYSTEMS</b> FORT EDWARD, N.Y., U.S.A.  OUTLINE 65L924TL2		
DRAWN E.McGINN		10/1/92				
CHECKED						
ENGR						
ISSUED		9/30/93				
FIRST MADE FOR:				413		
CAD SYS. NO.		SIZE C	FSCM NO.		DWG NO. 65L924TL2	REV 1
AUTOCAD		SCALE	SHEET 1		CONT ON SHIT -	

CAT 65L924TL2 SERNO  
 KVAR 190 60Hz 3ph  
 VOLT 240 DIAG 186C3233HM  
 CONN DELTA  
 Read instructions: GEH-2728